

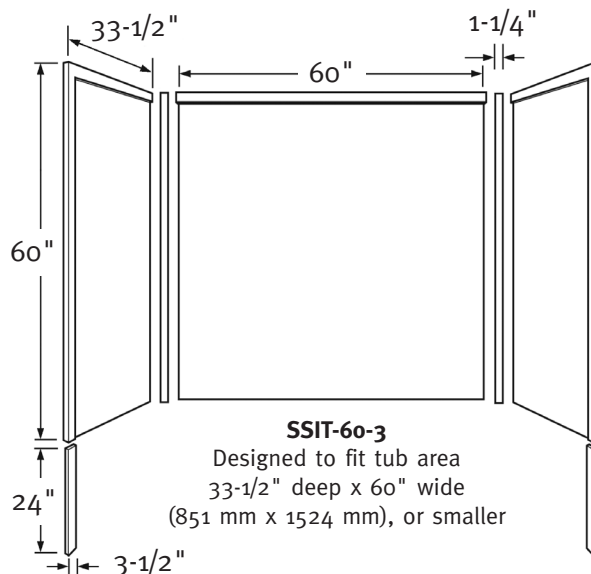
**Manufactured from Swanstone solid surface**  
(See page 2 for detailed information.)

**WARRANTY**  
Limited Lifetime – Residential  
Limited 25-year – Commercial

*Recommended for high-use traffic areas and commercial surfaces.*

## FEATURES

- Reinforced solid surface means color and texture run all the way through and cannot wear away.
- For added detailing, the panels' edges feature raised trim, eliminating the need for a separate trim kit.
- Will not mold or mildew, no grout to clean.
- Ideal for both remodeling projects and new construction.
- Heat resistant—walls can handle steamer units.
- Unique glue-up wall system includes a single, seamless back panel, two side panels and two corner molding strips.



## SPECIFICATIONS

### SSIT-60-3 Bathtub 3-Panel Wall Kit

Model	Part	Tub Area Designed To Fit	Ship Wt. Lb.	Ship FedEx	Carton Dims. In.	Cu. Ft.
SSIT-60-3	Sloo603	33-1/2" D x 60" W (851 mm x 1524 mm) (or smaller)	169	-	67 x 67 x 4	10.39

Kit Includes: One back panel with integral trim, two side panels with integral trim, two bathtub apron strips, two corner moldings and color coordinated silicone. Soap dishes and installation kit (**SS-29**) sold separately.

Packaging: Each kit is packed in a flat, rectangular carton.

## ACCESSORIES

See pages 59-60 for complete listing of all wall accessories.

## STANDARDS AND RATINGS

American Society of Testing and Materials (ASTM) E-84: Class A Flame Spread Rating

American National Standard Institute—ANSI Z124.6

International Association of Plumbing and Mechanical Officials (IAPMO)—Listed

cUPC listed—Certified to CSA Test Standard B45.5 by IAPMO

Uniform Plumbing Code (UPC)

For a complete list of tests and results see the Technical Data Sheet.

## SUPPORT DOCUMENTS

Installation instructions available at [swanstone.com](http://swanstone.com).

 **MADE IN USA**

## COLORS

(See inside back cover for color sample.)

### Solid Colors:

- White (010)
- Bone (037)
- Bisque (018)
- Bright White (137)
- Pearl (138)

### Aggregate Colors:

- Acorn (123) 
- Almond Galaxy (046)
- Arctic Granite (035)
- Baby's Breath (168)
- Barley (091)
- Bermuda Sand (040)
- Canyon (124) 
- Caraway Seed (169)
- Cloud Bone (126)
- Cloud White (125)
- Cornflower (063)
- Glacier (121) 

- Golden Steppe (128)
- Gray Granite (042)
- Ice (130)
- Indian Grass (071)
- Mountain Haze (129)
- Night Sky (012)
- Pebble (072)
- Prairie (122) 
- Sierra (094)
- Tahiti Desert (050)
- Tahiti Gray (053)
- Tahiti Ivory (059)
- Tahiti Matrix (058)
- Tahiti Sand (051)
- Tahiti Terra (055)
- Tahiti White (011)
- Tundra (131)
- Winter Wheat (060)

## MAINTENANCE AND CLEANING INFORMATION

Clean regularly with common household liquid cleaners and rinse within five minutes of application. Occasional scrubbing with abrasive cleaners ensures that the original luster will be maintained. **Do not** use "leave on" cleaning products, such as automatic spray shower cleaners. Prolonged contact with harsh chemicals could have an adverse reaction over time and discolor surfaces.

**Do not** use cleaning agents that caution use on acrylic, polyester or plastics.