

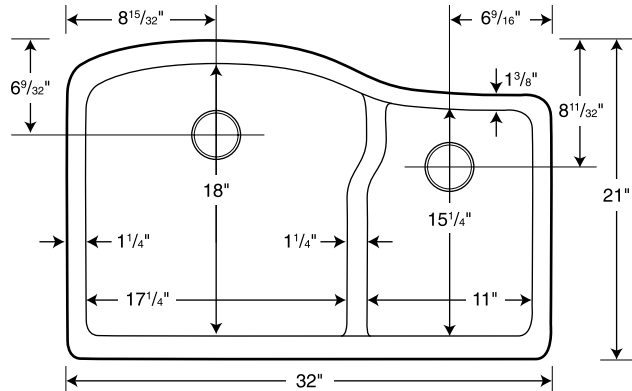
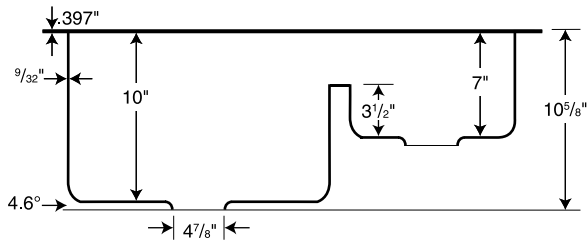
**WARRANTY**  
 Limited Lifetime – Residential  
 Limited 10-year – Commercial

**Manufactured from Quartz natural stone**  
 (see page 2 for detailed information)

*Recommended for high use traffic areas and commercial surfaces*

**FEATURES**

- Made with 80% quartz stone, only a diamond is harder
- Virtually indestructible, will not damage from kitchen use
- Standard sink size
- Ideal for remodeling or new construction
- Mounts under any countertop material including granite/quartz, solid surface and tile



**SPECIFICATIONS**

**QULS-3322 Large/Small Bowl**

Model	Part	Dimensions	Ship Wt. Lb.	Ship UPS	Carton Dims. In.	Cu. Ft.
QULS-3322	QU03322LS	32" W x 21" D (813 mm x 533 mm)	52	UPS	36 x 26 x 15	8.12

**COLORS** (See pg. 139 for color sample.)

- Bianca (075)
- Granito (076)
- Nero (077)

**STANDARDS AND RATINGS**

American National Standard Institute—ANSI Z124.6

Heat resistance to 392°F, 200°C

**MAINTENANCE AND CLEANING INFORMATION**

The recommended way to clean your sink is by washing with soap or detergent and warm water, ideally after use. The surface can be wiped with a clean soft cloth. This procedure, if carried out regularly should be sufficient to keep the surface clean and stain free. Heavy staining liquids such as dyes and vegetable juices should be washed off as soon as possible. Avoid the use of abrasive cleaners such as scouring pads and steel wool on the sink as such cleaners tend to abrade the surface, which aggravates cleaning.

**SUPPORT DOCUMENTS**

Installation instructions available on line at [www.swanstone.com](http://www.swanstone.com)

Undermount clips sold separately. Faucet options are limited to available hole placement. Please contact your dealer for more information.