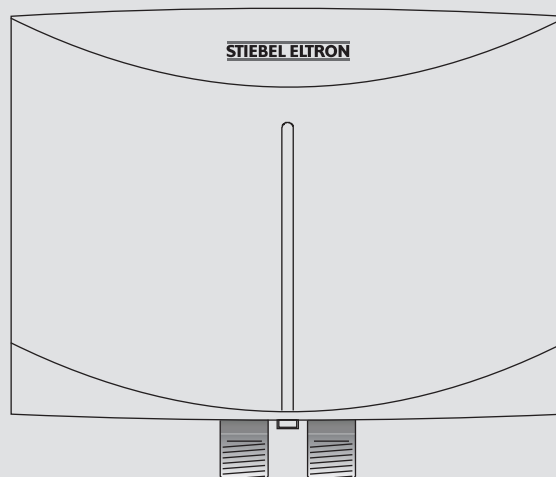


OPERATING AND INSTALLATION MANUAL

TANKLESS ELECTRIC WATER HEATER WITH ELECTRO-MECHANICAL FLOW SWITCH

- » MINI™ 2 TANKLESS ELECTRIC WATER HEATER
- » MINI™ 3 TANKLESS ELECTRIC WATER HEATER
- » MINI™ 4 TANKLESS ELECTRIC WATER HEATER
- » MINI™ 6 TANKLESS ELECTRIC WATER HEATER



The Mini™ series is tested and certified by WQA against NSF/ANSI 372 for “lead free” compliance.

STIEBEL ELTRON Inc.

17 West Street | West Hatfield, MA 01088

Tel. 413-247-3380 | Fax 413-247-3369

Email info@stiebel-eltron-usa.com

www.stiebel-eltron-usa.com

STIEBEL ELTRON

270578-36287-8650

1.	General Information	3
1.1	Symbol key	3
2.	Safety precautions	4
3.	Register your product	4
4.	Temperature increase above ambient water temperature	4
5.	Technical drawings	4
6.	Overview	7
6.1	Figure legend	7
6.2	General description	7
6.3	Important information before supplying power to unit	7
6.4	Hot water output	8
6.5	Incorrect use	8
6.6	First steps to be taken in the event of malfunction	8
6.7	Maintenance and care	8
7.	Operating and installation instructions	9
7.1	Mounting the unit	9
7.2	Plumbing connections	9
7.3	Electrical connection	9
8.	Initial start-up	10
9.	Water heater hand over	10
10.	Normal maintenance	10
11.	Technical data	11
12.	Troubleshooting	11
13.	Spare parts	12
14.	Warranty	12


1. General Information

Read this entire manual. Failure to follow all the guides, instructions and rules could cause personal injury or property damage. Improper installation, adjustment, alteration, service and use of this unit can result in serious injury.

This unit must be installed by a licensed electrician and plumber. The installation must comply with all national, state and local plumbing and electric codes. Proper installation is the responsibility of the installer. Failure to comply with the installation and operating instructions or improper use voids the warranty.

Save these instructions for future reference. Installer should leave these instructions with the consumer.

If you have any questions regarding the installation, use or operation of this water heater, or if you need any additional installation manuals, please call our technical service line at 800-582-8423 (USA and Canada only). If you are calling from outside the USA or Canada, please call USA 413-247-3380 and we will refer you to a qualified Stiebel Eltron service representative in your area.

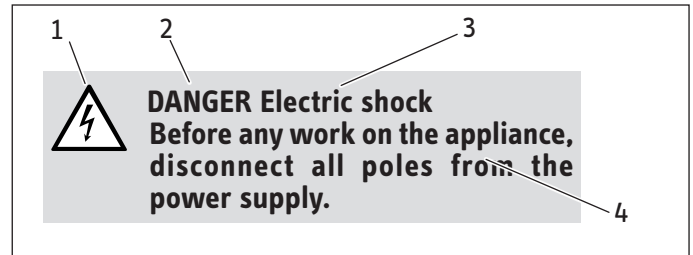
 **THIS IS THE SAFETY ALERT SYMBOL. IT IS USED TO ALERT YOU TO POTENTIAL PERSONAL INJURY HAZARD. OBEY ALL SAFETY MESSAGES THAT FOLLOW THIS SYMBOL TO AVOID POSSIBLE INJURY OR DEATH.**

The chapter **Operation** is intended for homeowners, heating contractors, plumbers and electricians.

The chapter **Installation** is intended for heating contractors, plumbers and electricians only.





1.1 Symbol key

1.1.1 Layout of safety information



- 1 Symbol (see 1.1.2 "Symbols")
- 2 Keyword (see 1.1.3 "Keywords")
- 3 Designations (see 1.1.2 "Symbols")
- 4 Information text

1.1.2 Symbols

Symbol	Description
	Injury
	Electrocution
	Burns or scalding
	Other situations

1.1.3 Keywords

KEYWORD	
DANGER	The keyword DANGER indicates information that must be observed, otherwise serious injury or death will result.
WARNING	The keyword WARNING indicates information that must be observed, otherwise serious injury or death may result.
CAUTION	The keyword CAUTION indicates information that must be observed, otherwise relatively serious or light injuries may result.

GENERAL INFORMATION

SAFETY PRECAUTIONS

2. Safety precautions



PLEASE READ AND FOLLOW THESE INSTRUCTIONS. FAILURE TO FOLLOW THESE INSTRUCTIONS COULD RESULT IN SERIOUS BODILY INJURY OR DEATH.

THE UNIT MUST BE INSTALLED BY A LICENSED ELECTRICIAN AND PLUMBER. THE INSTALLATION MUST COMPLY WITH ALL NATIONAL, STATE AND LOCAL PLUMBING AND ELECTRIC CODES.

SERVICE OF THE UNIT MUST BE PERFORMED BY QUALIFIED SERVICE TECHNICIANS.



BEFORE PROCEEDING WITH ANY INSTALLATION, ADJUSTMENT, ALTERATION, OR SERVICE OF THIS UNIT ALL CIRCUIT BREAKERS AND DISCONNECT SWITCHES SERVICING THE UNIT MUST BE TURNED OFF. FAILURE TO DO SO COULD RESULT IN SERIOUS PERSONAL INJURY OR DEATH.



DANGER: NEVER REMOVE THE UNIT'S COVER UNLESS THE ELECTRICITY SERVICING THE UNIT IS TURNED OFF. FAILURE TO DO SO COULD RESULT IN PERSONAL INJURY OR DEATH.



WARNING: THE UNIT MUST BE PROPERLY GROUNDED. FAILURE TO ELECTRICALLY GROUND THE PRODUCT COULD RESULT IN SERIOUS PERSONAL INJURY OR DEATH.



DANGER: WATER TEMPERATURES OVER 125°F CAN CAUSE SEVERE BURNS INSTANTLY OR DEATH FROM SCALDING. A HOT WATER SCALDING POTENTIAL EXISTS IF THE THERMOSTAT ON THE UNIT IS SET TOO HIGH. HOUSEHOLDS WITH SMALL CHILDREN, DISABLED OR ELDERLY PERSONS MAY REQUIRE THAT THE THERMOSTAT BE SET AT 120°F OR LOWER TO PREVENT POSSIBLE INJURY FROM HOT WATER.

3. Register your product



YOU MUST REGISTER THIS PRODUCT WITHIN 90 DAYS OF PURCHASE ON OUR WEB SITE IN ORDER TO ACTIVATE THE STANDARD WARRANTY OR TO BE ELIGIBLE FOR THE EXTENDED WARRANTY. GO TO OUR WEB SITE AT WWW.STIEBEL-ELTRON-USA.COM AND CLICK ON REGISTER YOUR PRODUCT.

Before beginning the registration process, we suggest that you gather the necessary information which will be as follows:

Type, Example: Mini 3 (from the white label that is on the right side of the unit)

Number listed after "Nr.:"

Place of Purchase

Purchase Date

First & Last Name

Email address

Physical Address

Phone Number

IF YOU HAVE ANY QUESTIONS CONCERNING THE REGISTRATION PROCESS OR WARRANTY OPTIONS, PLEASE CONTACT STIEBEL ELTRON USA DIRECTLY AT (800)-582-8423.

Limited liability warranty:

Stiebel Eltron, Inc. is not liable for damages to the unit, damage to personal property, bodily injury, or loss of life due to the following conditions:

- Non-observance of these instructions
- Incorrect use (heating any other liquid than water)
- Installation of the appliance by unqualified personnel
- Unauthorized modifications
- Technical modifications
- Use of unauthorized spare parts

THE THREE YEAR WARRANTY COVERS ALL PARTS BUT DOES NOT COVER DAMAGE TO THE UNIT DUE TO HARD WATER (FOR THE COMPLETE WARRANTY SEE "Warranty", SECTION 14 PG. 12). IF YOU KNOW OR SUSPECT THAT THE WATER IN YOUR AREA IS HARD (HAS A HIGH MINERAL CONTENT), IT IS NECESSARY TO INSTALL A WATER SOFTENING DEVICE TO AVOID DAMAGE TO THE MINI™ UNIT.

GENERAL INFORMATION

TEMPERATURE INCREASE ABOVE AMBIENT WATER TEMPERATURE

4. Temperature increase above ambient water temperature

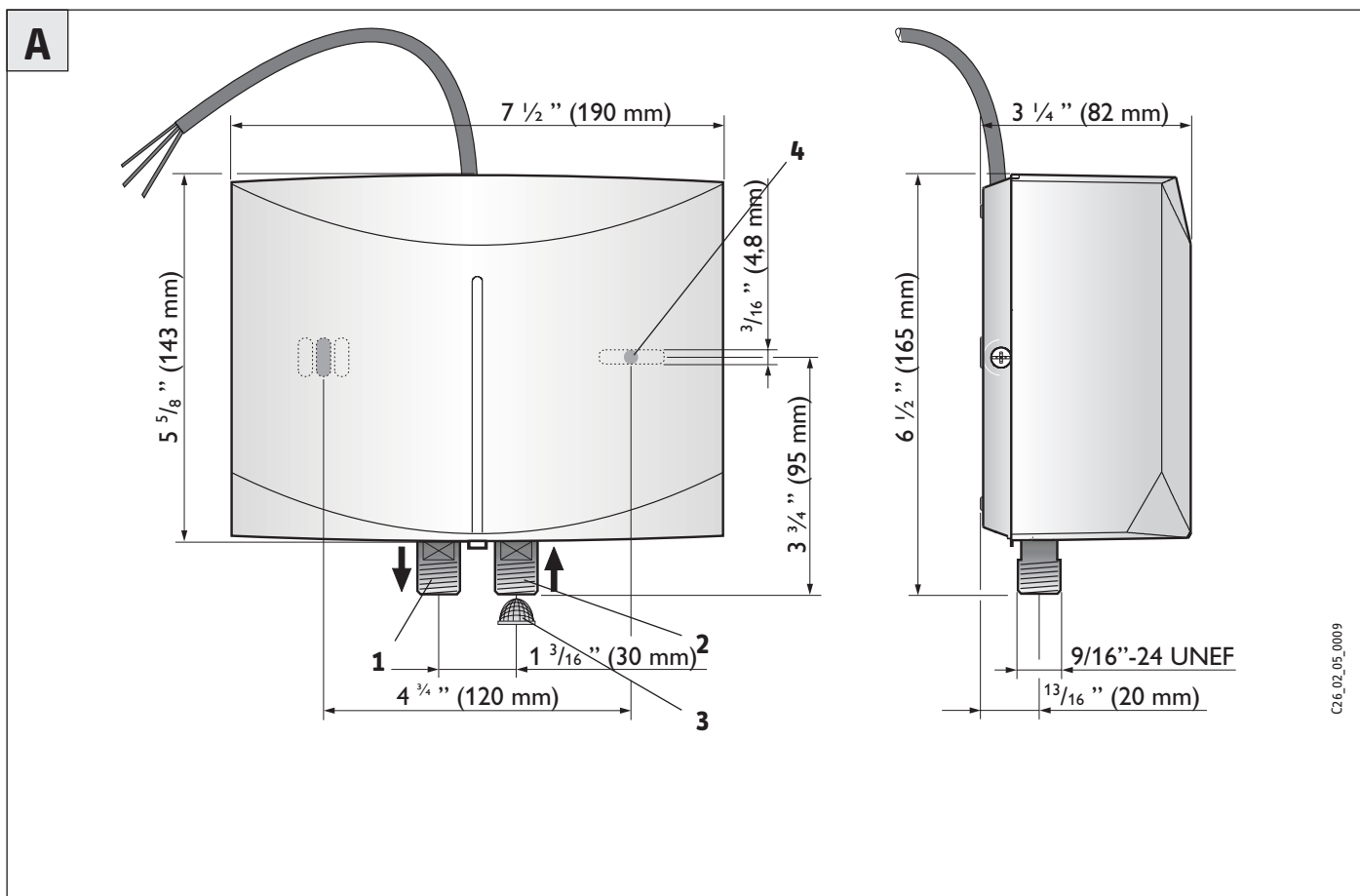
Type	kW	[°F]							
		GPM							
		0.32	0.42	0.48	0.5	0.69	0.85	1.06	1.14
Mini™ 2	1.8	38	-	-	-	-	-	-	-
Mini™ 3	3.0	65	49	43	41	30	-	-	-
Mini™ 4	3.5	75	56	50	45	35	-	-	-
Mini™ 6	5.7	-	-	-	-	-	46	37	34

Min. water flow to activate unit.

Type	kW	[°C]							
		L/min							
		1.2	1.6	1.8	2.0	2.6	3.2	4.0	4.3
Mini™ 2	1.8	22	16	14	13	-	-	-	-
Mini™ 3	3.0	36	27	24	22	17	-	-	-
Mini™ 4	3.5	42	31	28	25	19	-	-	-
Mini™ 6	5.7	-	-	-	-	-	26	20	19

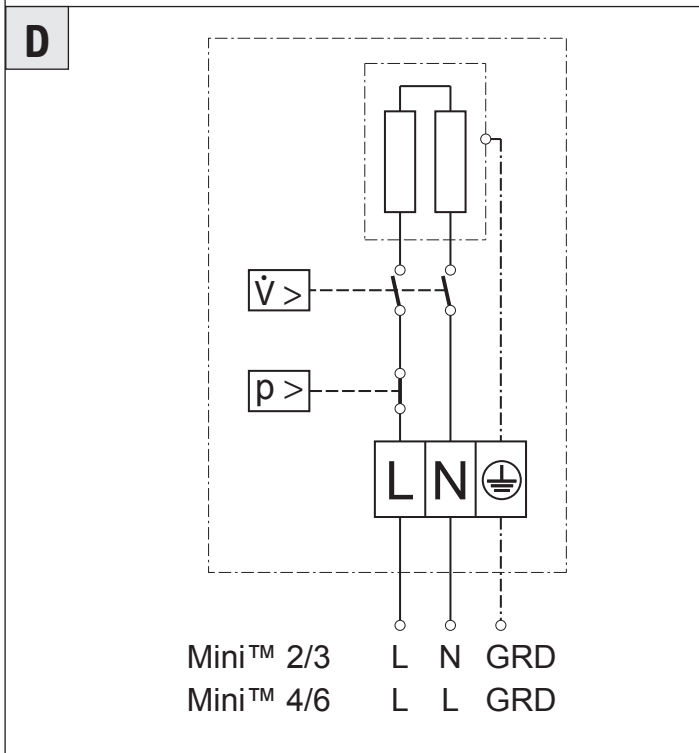
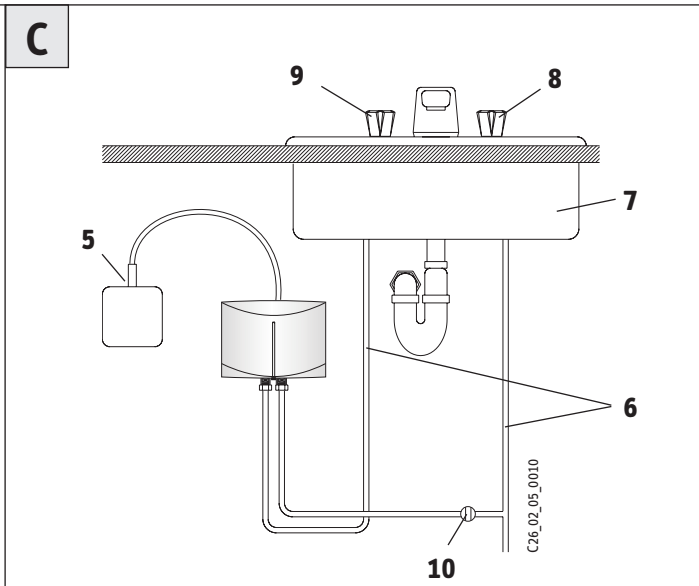
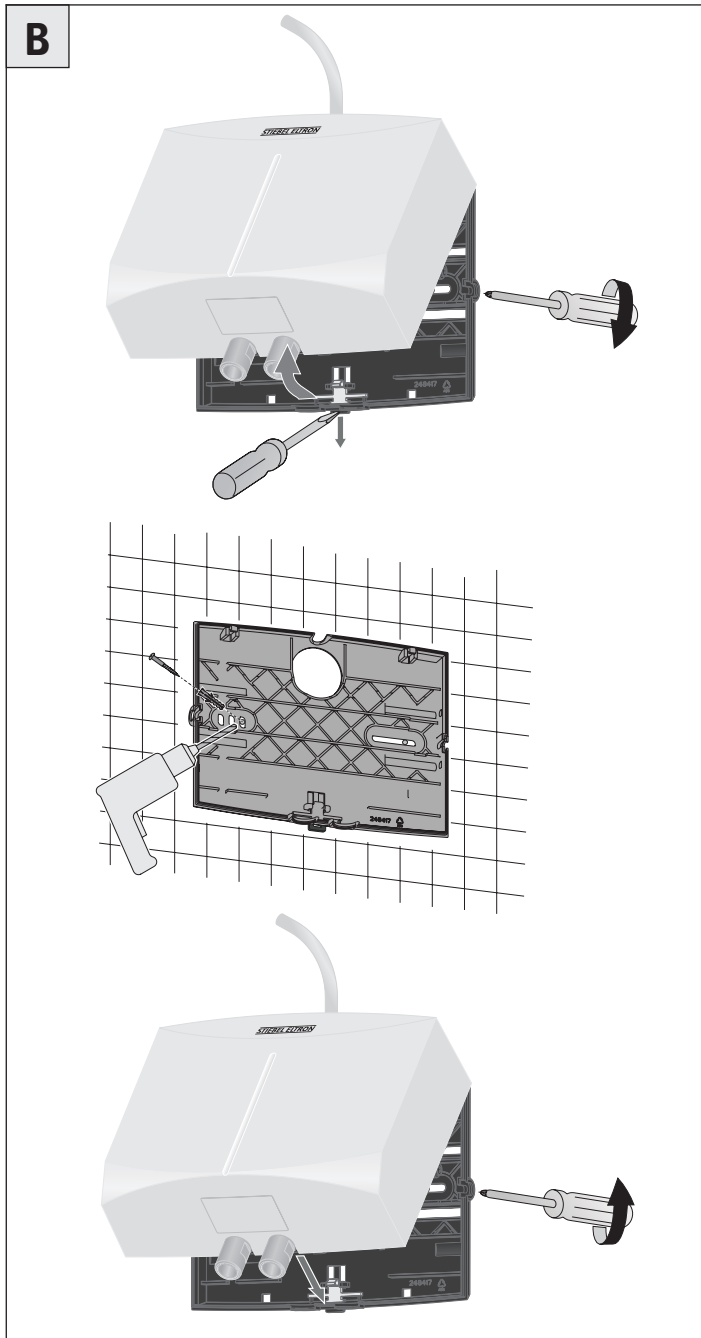
Min. water flow to activate unit.

5. Technical drawings



GENERAL INFORMATION

TECHNICAL DRAWINGS



THIS MANUAL MUST BE READ CAREFULLY BEFORE ATTEMPTING TO INSTALL THE MINI™ WATER HEATER. IF YOU DO NOT FOLLOW THE SAFETY RULES OR THE INSTRUCTIONS OUTLINED IN THIS MANUAL, THE UNIT MAY NOT OPERATE PROPERLY AND IT COULD CAUSE PROPERTY DAMAGE, SERIOUS BODILY INJURY AND/OR DEATH.

STIEBEL ELTRON, INC. WILL NOT BE LIABLE FOR ANY DAMAGES BECAUSE OF FAILURE TO COMPLY WITH THE INSTALLATION AND OPERATING INSTRUCTIONS OUTLINED IN THIS MANUAL OR BECAUSE OF IMPROPER USE. IMPROPER USE INCLUDES THE USE OF THIS APPLIANCE TO HEAT ANY LIQUID OTHER THAN WATER. FAILURE TO COMPLY WITH THE INSTALLATION AND OPERATING INSTRUCTIONS OR IMPROPER USE VOIDS WARRANTY. NEVER REMOVE THE UNIT'S COVER UNLESS THE ELECTRICITY IS TURNED OFF.

IF YOU HAVE ANY QUESTIONS REGARDING THE INSTALLATION OR OPERATION OF THIS WATER HEATER, OR IF YOU NEED ANY ADDITIONAL INSTALLATION MANUALS, PLEASE CALL OUR TECHNICAL SERVICE LINE ON 800-582-8423 (USA AND CANADA ONLY). IF YOU ARE CALLING FROM OUTSIDE THE U.S. OR CANADA, PLEASE CALL USA 413-247-3380 AND WE WILL REFER YOU TO A QUALIFIED STIEBEL ELTRON SERVICE REPRESENTATIVE IN YOUR AREA.

6. Overview

6.1 Figure legend

- 1 Hot water connection
- 2 Cold water connection with filter screen
- 3 Filter screen
- 4 Mounting holes
- 5 Electrical junction box
- 6 Water supply line for faucet installation
- 7 Sink
- 8 Cold valve (right)
- 9 Hot valve (left)
- 10 Shut off valve
- 11 Reset button from safety pressure cut out

6.2 General Description

The Mini™ tankless water heater differs from conventional storage type water heaters in several ways. It does not store hot water. Instead, water is heated instantaneously as it flows through the unit. The powerful heating elements are activated by a flow switch as water is drawn from a hot water faucet connected to the Mini™. Due to the absence of stand-by losses, the Mini™ offers greater energy efficiency than storage type water heaters. The unit will continuously supply hot water as long as the faucet is open

The temperature of the hot water delivered by the Mini™ depends on the wattage of the heating element, the temperature of the incoming cold water,

and the water flow rate through the unit. In order for the Mini™ to operate properly, it must be carefully matched to the application.

In case you have questions regarding the way you plan to use the Mini™, please call our technical service line at 800-582-8423 (USA and Canada). For service outside the U.S. and Canada, please call us at USA 413-247-3380. You can also e-mail us at info@stiebel-eltron-usa.com or fax us at 413-247-3369.

The Mini™ can be used for hand washing type applications in the U.S. and Canada:

- Restroom sinks in commercial/industrial facilities and homes
- Kitchen areas in commercial /industrial facilities and homes
- Cabins
- Special uses in photo developing shops, laboratories etc.

The Mini™ can also be used for whole apartments and homes in warm climate zones such as the Caribbean region, Central America and Mexico due to the higher ambient water temperatures.

OPERATION OVERVIEW

6.3 Important information before supplying power to unit



Air in the cold water pipe will destroy the bare-wire heating system of the Mini™. If the water supply to the Mini™ has been interrupted, for example due to the risk of frost or work on the water pipe, the following steps must be carried out before the unit is used again.

- » 1. Turn off circuit breaker.
- » 2. Open a hot water tap downstream of the unit for as long as is necessary for the unit and the cold water pipe to be free of air.
- » 3. Turn on circuit breaker.

All information in these Instructions for Use and Installation must be followed carefully. They provide important information with regard to safety, operation, installation, and maintenance of the device.

6.4 Hot water output

Model	Wattage	Typical hot water output
Mini™ 2*	1.8 kW	0.32 GPM
Mini™ 3	3.0 kW	0.5 GPM
Mini™ 4	3.8 kW	0.6 GPM
Mini™ 6	6.2 kW	1.0 GPM

*Note: Mini™ 2 is internally restricted to 0.32 GPM

6.5 Incorrect use

The following are not permitted and will void the factory warranty:

- Installation of the appliance where it is at risk from frost
- Installation in rooms where the appliance is at risk from explosions as a result of dust, gases or vapors
- Ignoring safety clearances and safety zones
- Incorrect power connection
- Operation of the appliance without water flowing through the unit, or with air in the lines (see "Initial startup", section 8, pg. 10)
- Operation of the unit with the cover off
- Heating liquids other than potable water

6.6 First steps to be taken in the event of malfunction



WARNING: ALWAYS SHUT OFF POWER AND WATER TO THE UNIT PRIOR TO REMOVING THE FILTER SCREEN. FAILURE TO DO SO MAY CAUSE SERIOUS BODILY INJURY OR DEATH.

- » Check the circuit breaker
- » Check the filter screen for scale blockage or dirt accumulation. See also "Troubleshooting" section 10 pg. 11.

6.7 Maintenance and care



MAINTENANCE WORK, SUCH AS CHECKING ELECTRICAL SAFETY, MAY ONLY BE CARRIED OUT BY A QUALIFIED INSTALLER.



WARNING: ALWAYS SHUT OFF POWER AND WATER TO THE UNIT PRIOR TO REMOVING THE FILTER SCREEN. FAILURE TO DO SO MAY CAUSE SERIOUS BODILY INJURY OR DEATH.

Regularly clean and descale the filter screen located in the cold water inlet connection and if necessary replace. Always shut off power and water to the unit prior to removing the filter screen.

A damp cloth is sufficient for cleaning of the unit's housing. Do not use any abrasive or corrosive cleaning agents.

7. Operating and installation instructions



KEEP THESE INSTRUCTIONS CAREFULLY AND PASS THEM ON TO YOUR SUCCESSOR IN THE EVENT OF A CHANGE IN OWNERSHIP, IN THE EVENT OF MAINTENANCE AND POSSIBLE REPAIR WORK THEY SHOULD BE PASSED TO THE QUALIFIED INSTALLER FOR HIS OR HER REFERENCE.

7.1 Mounting the unit



UNIT MUST BE INSTALLED WITH THE PLUMBING CONNECTIONS POINTING DOWNWARD OR UPWARD ONLY.



WARNING: DO NOT INSTALL UNIT WHERE IT WOULD ROUTINELY BE SPLASHED WITH WATER. ELECTRIC SHOCK OR DEATH MAY RESULT.

- » 1. Install Mini™ as close as possible to the hot water draw-off point, for example, directly underneath the sink or next to the shower stall.
- » 2. Install Mini™ in a frost free area. If frost may occur, remove unit before freezing temperatures set in.
- » 3. Leave a minimum of 5" of clearance on all sides for servicing.
- » 4. Remove plastic cover by removing screws located on the left and right sides of the unit **B**.
- » 5. Remove plastic backplate by pulling on the tab with a screwdriver **B**.
- » 6. Mount backplate securely to wall by putting two screws through mounting holes **A B**.
- » 7. Snap unit back onto mounting plate **B**.
- » 8. Reinstall cover with screws on left and right side of unit **B**.

7.2 Plumbing connections



NOTE: IF SOLDERING NEAR THE UNIT IS NECESSARY, PLEASE DIRECT THE FLAME AWAY FROM THE HOUSING OF THE UNIT IN ORDER TO AVOID DAMAGE. EXCESSIVE HEAT FROM SOLDERING ON COPPER PIPES NEAR THE MINI™ MAY CAUSE DAMAGE.

ALL PLUMBING WORK MUST COMPLY WITH NATIONAL AND APPLICABLE STATE AND LOCAL PLUMBING CODES.

- » 1. All plumbing work must comply with national and applicable state and local plumbing codes.

- » 2. A pressure reducing valve must be installed if the cold water supply pressure exceeds 150 PSI (10 bar).
- » 3. Make certain that the cold water supply line has been flushed to remove any scale and dirt.
- » 4. Install isolating valve in cold water line as shown in illustration **C**. This allows the unit to be isolated for maintenance purposes.
- » 5. Cold water connection (inlet) is on the right side of the unit, hot water connection (outlet) is on the left side of unit.
- » 6. Tankless water heaters such as the Mini™ are not required to be equipped with a Pressure and Temperature Relief Valve (except in Massachusetts). If the local inspector will not pass the installation without a P+T valve, it should be installed on the hot water outlet side of unit.
- » 7. The Mini™ is designed for connection to a braided stainless steel hose with a 3/8" OD Tube Outlet.
- » 8. When all plumbing work is completed, check for leaks and take corrective action before proceeding.

7.3 Electrical connection



WARNING: BEFORE BEGINNING ANY WORK ON THE ELECTRIC INSTALLATION, BE SURE THAT THE MAIN CIRCUIT BREAKER PANEL SWITCH IS "OFF" TO AVOID ANY DANGER OF ELECTRIC SHOCK. FAILURE TO DO SO MAY RESULT IN SERIOUS INJURY OR DEATH. ALL MOUNTING AND PLUMBING MUST BE COMPLETED BEFORE PROCEEDING WITH ELECTRICAL HOOK-UP. WHERE REQUIRED BY LOCAL, STATE OR NATIONAL ELECTRICAL CODES, THE CIRCUIT SHOULD BE EQUIPPED WITH A GROUND FAULT INTERRUPTER.

WARNING: AS WITH ANY ELECTRIC APPLIANCE, FAILURE TO ELECTRICALLY GROUND UNIT MAY RESULT IN SERIOUS INJURY OR DEATH.

CAUTION: INSTALLING A MINI™ 2 OR MINI™ 3 ON A 208V OR 220 - 240V CIRCUIT WILL DESTROY THE HEATING ELEMENT. THIS IS CONSIDERED IMPROPER INSTALLATION AND WILL VOID YOUR FACTORY WARRANTY.

Voltage

Mini™ 2: 110 - 120V

Mini™ 3: 110 - 120V

Mini™ 4: 208, 220 - 240V

Mini™ 6: 208, 220 - 240V

INSTALLATION

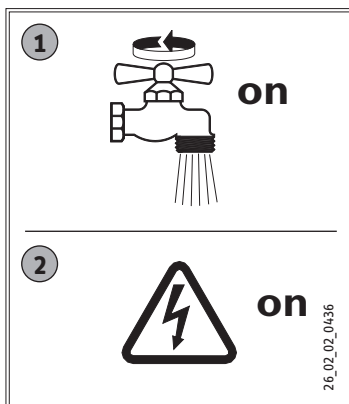
INITIAL START-UP

7.3 Electrical connection (cont.)

1. All electrical work must comply with national and applicable state and local electrical codes.
2. The Mini™ should be connected to a properly grounded dedicated branch circuit of proper voltage rating. In installations with several Mini™ units, each unit requires an independent circuit. Please refer to the technical data table for the correct wire and circuit breaker size.
3. The open ends of the "pigtail" must be feed into an electrical junction box. Then feed wires through strain relief clamp and tighten clamp down on wire.
4. Reinstall plastic cover.

8. Initial start-up

WARNING: OPEN HOT WATER FAUCET FOR A FEW MINUTES UNTIL WATER FLOW IS CONTINUOUS AND ALL AIR IS PURGED FROM WATER PIPES. THE UNIT'S PLASTIC COVER MUST BE INSTALLED BEFORE THE CIRCUIT BREAKER IS TURNED ON.



9. Water heater hand over

Explain the functions of the unit to the user and familiarize him or her with its use.

Important instructions:

- » Draw the user's attention to possible hazards (scalding).
- » Hand over these instructions for future reference.
- » In order to obtain a proper temperature at a single spout mixer-type faucet, restrict cold water flow to faucet by partially closing the cold water shut-off valve under the sink until cold water and hot water flow rates are approximately the same.

10. Normal maintenance

CAUTION: OTHER THAN THE FILTER SCREEN, THE MINI™ DOES NOT CONTAIN ANY PARTS SERVICEABLE BY THE LAY PERSON. IN CASE OF MALFUNCTION PLEASE CONTACT A LICENSED PLUMBER OR ELECTRICIAN.

STIEBEL ELTRON Mini™ tankless heaters are designed for a very long service life. Actual life expectancy will vary with water quality and use. The unit itself does not require any regular maintenance. However, to ensure consistent water flow, it is recommended to periodically remove scale and dirt that may build up at the aerator of the faucet or in the shower head. Also, the Mini™ has a built in filter screen that should be cleaned from time to time. In order to do this, turn off the cold water supply at the isolating valve. Clean screen and put the screen back into its original position.

INSTALLATION TECHNICAL DATA

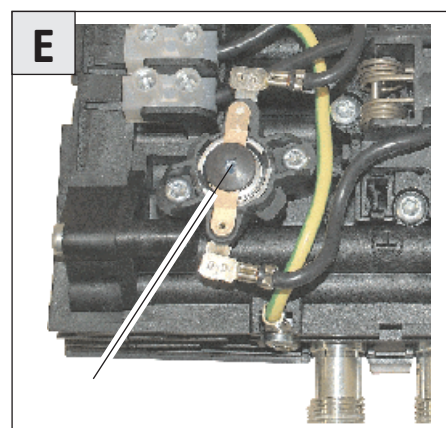
11. Technical data

Model		Mini™ 2*	Mini™ 3	Mini™ 4		Mini™ 6	
Item number		231045	220816	222039		220817	
Phase		1	1	1		1	
Voltage	V	110-120	110-120	208	220-240	208	220-240
Wattage	kW	1.8	3.0	3.2	3.5	4.7	5.7
Max. amp, load	A	15	25	13.8	15.2	22.4	24.7
Min. required circuit breaker size	A	20	30	20	20	30	30
Required wire size	AWG COPPER	12	10	12	12	10	10
Min. water flow to activate unit	≥ GPM (≥ l/min)	0.21 (0.8)	0.40 (1.5)	0.40 (1.5)		0.77 (2.9)	
Recommended inlet temperature range	°F (°C)	41-77 (5-25)					
Nominal water volume	GAL (l)	0.026 (0.1)					
Working pressure, max.	PSI (bar)	150 (10)					
Tested to pressure	PSI (bar)	300 (20)					
Weight	lbs. (kg)	3.44 (1.56)					
Dimensions							
height	inch (mm)	6 1/2 (165)					
depth	inch (mm)	3 1/4 (82)					
width	inch (mm)	7 1/2 (190)					
Water connections		for 3/8" O.D. flex connector					
Heating system		Bare-wire					

* Note: Mini™ 2 is internally restricted to 0.32 GPM

- Tankless water heaters are considered a non-continuous load
- Conductors should be sized to maintain a voltage drop of less than 3 % under load

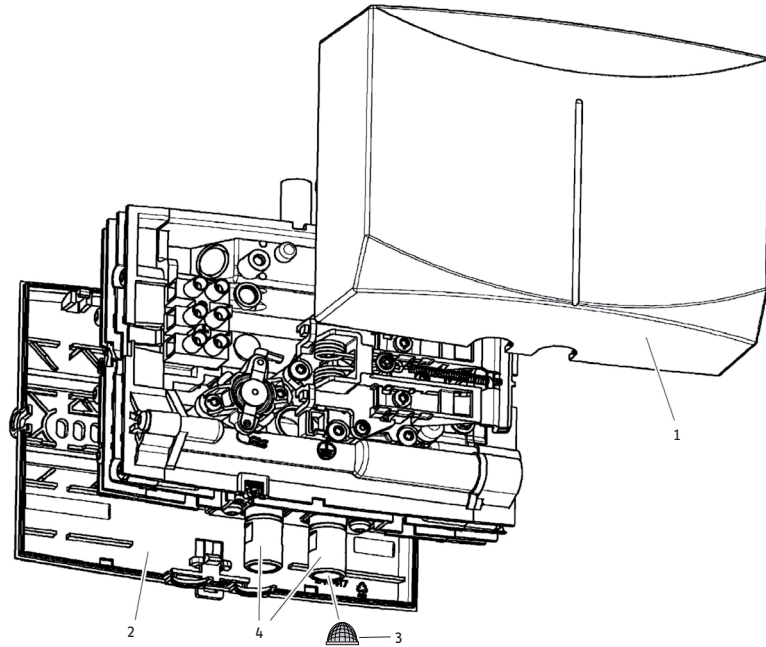
12. Troubleshooting



Symptom	Possible cause	Solution
No hot water despite fully opened hot water faucet.	No electrical power.	Check the circuit breaker and check voltage at the wiring block.
	The activation flow rate needed to turn on the heating element has not been reached.	Clean filter screen.
	Safety cut out tripped	<ul style="list-style-type: none"> - turn circuit breakers off - open Hot Valve to release pressure from the unit - reset safety pressure cut out E - turn circuit breakers on

13. Spare parts

No.	Spare part	Model	Mini™ 2 Mini™ 3 Mini™ 4 Mini™ 6
1	Front cover		271010
2	Rear housing		271011
3	Filter screen		272884
4	Plumbing connection		272777
5	O-rings		083043



14. Warranty

RESIDENTIAL & COMMERCIAL WARRANTY: STIEBEL ELTRON WARRANTS TO THE ORIGINAL OWNER THAT THE MINI™ TANKLESS ELECTRIC WATER HEATER WILL BE FREE FROM DEFECTS IN WORKMANSHIP AND MATERIALS FOR A PERIOD OF THREE YEARS FROM THE DATE OF PURCHASE. SHOULD THE PART(S) PROVE TO BE DEFECTIVE UNDER NORMAL USE DURING THIS PERIOD, STIEBEL ELTRON, INC. WILL BE RESPONSIBLE FOR REPLACEMENT OF THE DEFECTIVE PART(S) ONLY. STIEBEL ELTRON, INC. IS NOT RESPONSIBLE FOR LABOR CHARGES TO REMOVE AND/OR REPLACE THE DEFECTIVE PART(S), OR ANY INCIDENTAL OR CONSEQUENTIAL EXPENSES.

SHOULD THE OWNER WISH TO RETURN THE TANKLESS ELECTRIC WATER HEATER FOR REPAIR, THE OWNER MUST FIRST SECURE WRITTEN AUTHORIZATION FROM STIEBEL ELTRON, INC. THE OWNER SHALL BE REQUIRED TO SHOW PROOF OF PURCHASE DATE, AND TO PAY ALL TRANSPORTATION COSTS TO RETURN THE DEFECTIVE PART(S) OR TANKLESS ELECTRIC WATER HEATER FOR REPAIR OR REPLACEMENT. WARRANTY IS VOID IF WATER HEATER HAS BEEN INSTALLED OR USED IMPROPERLY OR IF DESIGN HAS BEEN ALTERED IN ANY WAY.

STIEBEL ELTRON, INC.
17 West Street
West Hatfield, MA 01088, USA
 PHONE: 800-582-8423 or 413-247-3380
 FAX: 413-247-3369
 E-Mail info@stiebel-eltron-usa.com
www.stiebel-eltron-usa.com

Environment and recycling

Please help us protect the environment. Dispose of the appliance and its packaging in accordance with national regulations.

STIEBEL ELTRON, INC.
17 West Street
West Hatfield, MA 01088, USA
 PHONE: 800-582-8423 or 413-247-3380
 FAX: 413-247-3369
 E-Mail info@stiebel-eltron-usa.com
www.stiebel-eltron-usa.com

270578-36287-8650