

TOP-MOUNT KITCHEN SINK 11403

ADA

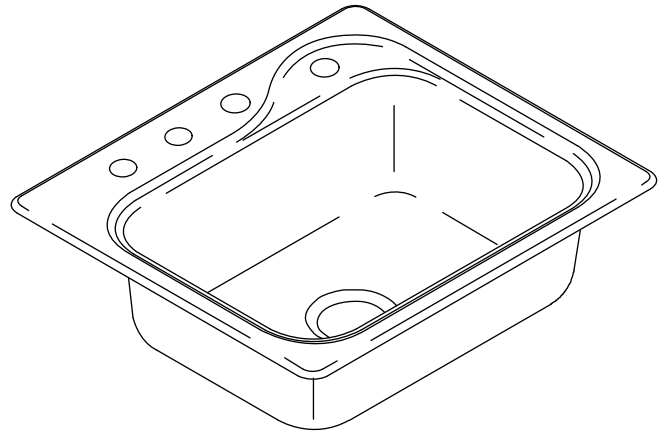
Features

- 20-gauge stainless steel
- Includes SilentShield® sound-absorption technology
- Single compartment
- Top-mount, rolled rim
- Satin deck finish
- Luster bowl finish
- 25" (635 mm) x 22" (559 mm) x 6-1/2" (165 mm)

Codes/Standards Applicable

Specified model meets or exceeds the following:

- ADA
- ASME A112.19.3/CSA B45.4
- ICC/ANSI A117.1
- State of Massachusetts



Colors/Finishes

- NA: None applicable

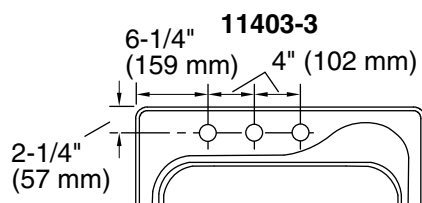
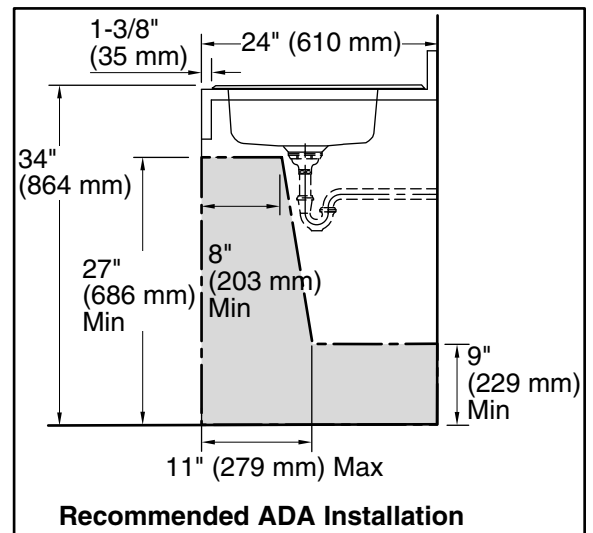
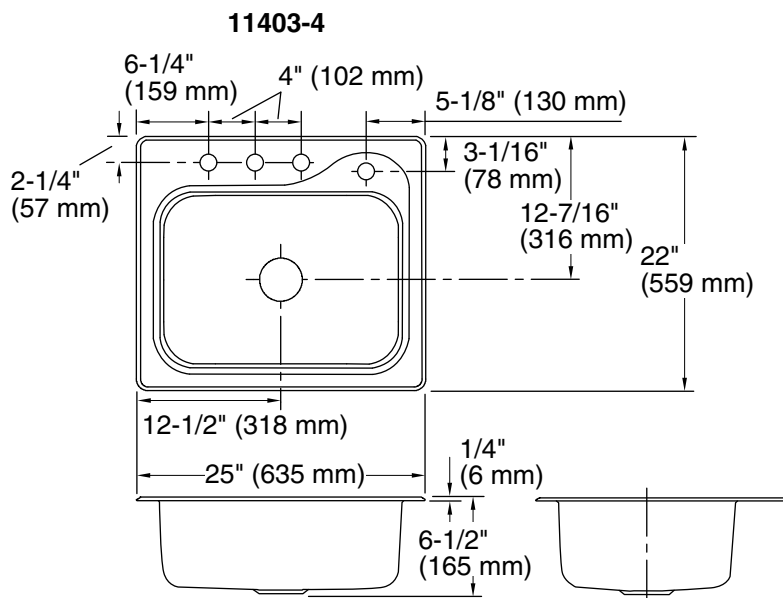
Specified Model

Model	Description	Faucet Holes	Quantity	Bowl Depth	Colors/Finishes
11403-3	Top-mount kitchen sink	3	1	6-1/2" (165 mm)	<input type="checkbox"/> NA
11403-4	Top-mount kitchen sink (shown)	4	1	6-1/2" (165 mm)	<input type="checkbox"/> NA
F11403-3	Top-mount kitchen sink	3	40	6-1/2" (165 mm)	<input type="checkbox"/> NA
F11403-4	Top-mount kitchen sink	4	40	6-1/2" (165 mm)	<input type="checkbox"/> NA

SOUTHHAVEN®

Technical Information

Fixture*:	
Sink	
Bowl area	21" (533 mm) x 15-1/4" (387 mm)
Water depth	6-1/2" (165 mm)
Drain hole	Ø 3-5/8" (92 mm)
Faucet holes	Ø 1-7/16" (37 mm)
Cutout size	24-1/2" (622 mm) x 21-1/2" (546 mm) with 3/4" (19 mm) radius corners
* Approximate measurements for comparison only.	
Cut-out template	1032928-7 (available at sterlingplumbing.com)



Product Diagram