

STERLING®

A KOHLER COMPANY

RIVERTON™

Features

- 10" (25.4 cm) or 12" (30.5 cm) rough-in
- One flush performance limited guarantee
- 5-year limited warranty
- Seat post holes with 5-1/2" (14 cm) centers
- Three-bolt, quick-connect installation system
- 1.6 gpf (6 lpf)
- Standard round or elongated seat - not supplied
- ADA bowl also available - model 402532 only
- Large 8" (20.3 cm) x 9" (22.9 cm) water surface and full 2" (5.1 cm) trapway
- Insulated tank liner
- 27-1/4" (69.2 cm) x 18-1/8" (46 cm) x 29" (73.7 cm)
- 29-1/4" (74.3 cm) x 18-1/8" (46 cm) x 29" (73.7 cm)

Codes/Standards Applicable

Specified model meets or exceeds the following:

- ASME A112.19.2
- CSA B45

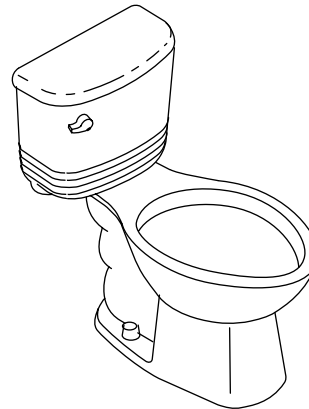
Specified Model

Model	Description	Included tank	Included bowl	Colors/Finishes	
402502, 402502-U	Round toilet combination	404522, 404522-U	404015	<input type="checkbox"/> 0	<input type="checkbox"/> Other_____
402512, 402512-U	10" (25.4 cm) toilet combination	404522, 404522-U	404210	<input type="checkbox"/> 0	<input type="checkbox"/> Other_____
402522, 402522-U	Elongated toilet combination	404522, 404522-U	404215	<input type="checkbox"/> 0	<input type="checkbox"/> Other_____
402532	ADA toilet combination	404522, 40452-2U	404315	<input type="checkbox"/> 0	<input type="checkbox"/> Other_____

Note: "U" represents models with tank liner

LOW CONSUMPTION TOILET 402502

ALSO 402512, 402522, 402532



Model 402522



Model 402522-U

Colors/Finishes

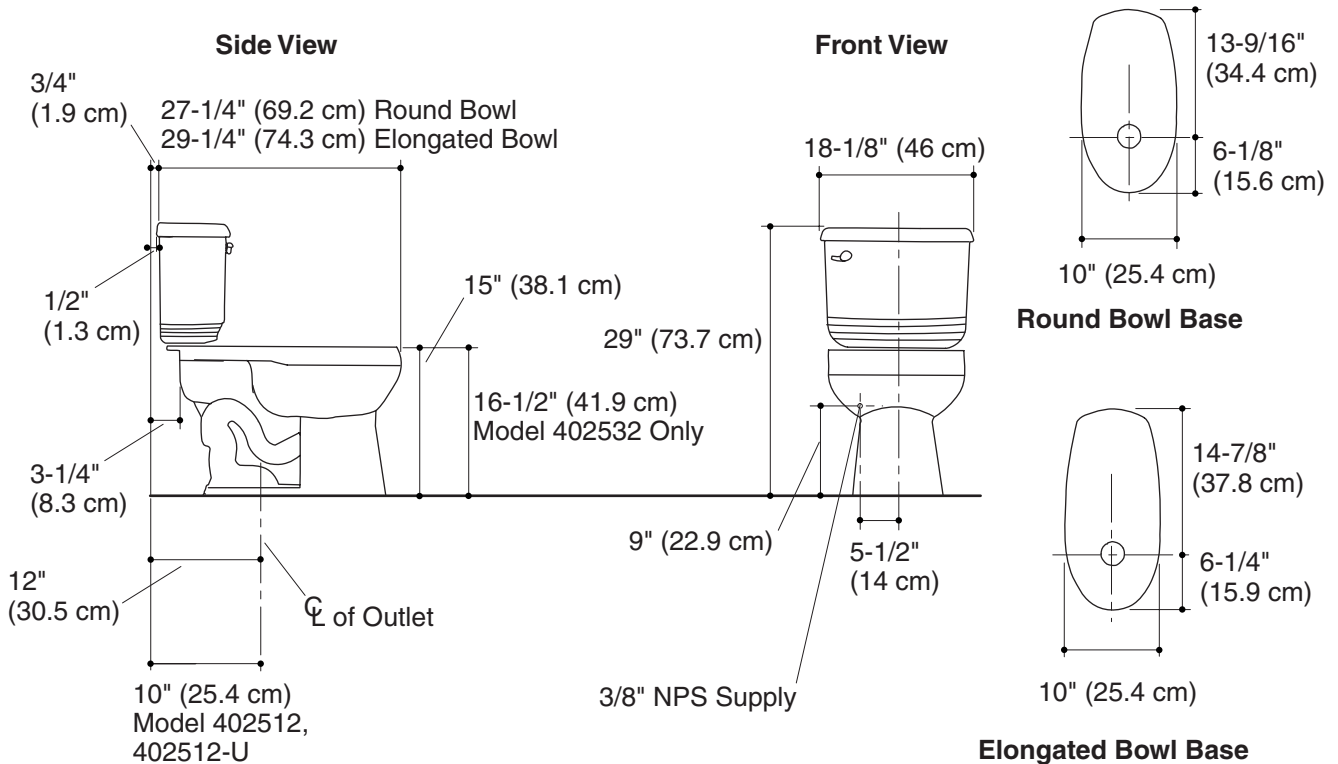
- 0: White
- Other: Refer to Price Book for additional colors/finishes

RIVERTON™

Technical Information

Fixture:	
Configuration	2-piece
Water per full flush	1.6 gallons (6 L)
Passageway	2" (5.1 cm)
Water area	8" (20.3 cm) x 9" (22.9 cm)
Seat post hole centers	5-1/2" (14 cm)

Included Components:	
Tank accessory pack	84581
Tank lid	84624
Trip lever	84625
Bolt cap accessory pack	1013092



Product Diagram