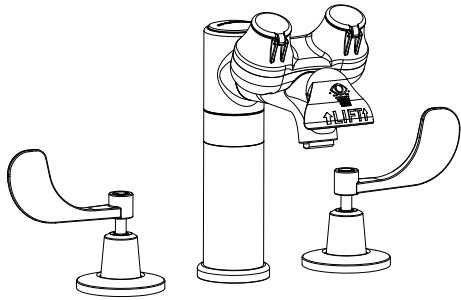


Instructions for Models:

SEF-1801 SEF-1801-8 EYESAVER® Combination Faucet



Need Help?

For additional assistance or service call:

SPEAKMAN Company
400 Anchor Mill Road
New Castle, DE 19720

PHONE: 800-537-2107
EMAIL: customerservice@speakmancompany.com
WEB: www.speakmancompany.com

92-SEF-1801-R2

What You Need To Know:

Tools:

Required:

Crescent
Wrench



Helpful:

Flat Head
Screwdriver



Important Notes:

The supply line for this unit shall provide an uninterrupted supply of flushing fluid at a minimum of 30 psi flowing pressure. If shut off valves are installed in the supply line of the eyewash, provisions shall be made to prevent unauthorized shut off. ANSI Z358.1 requires that all emergency equipment shall be tested weekly to verify proper operation and inspected annually to assure conformance with ANSI Z358.1 requirements. Be sure to read instructions thoroughly before beginning installation. Do not overtighten any connections or damage may occur.

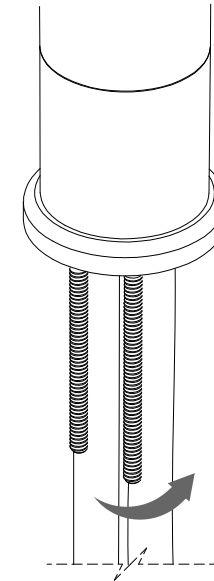
Safety Tips:

Cover your drain to prevent loss of parts. Always wear eye protection.

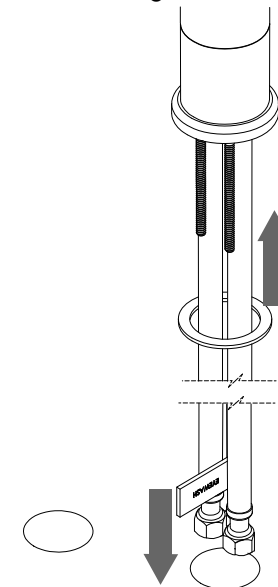
Maintenance:

Keep the EYESAVER® faucet looking new by cleaning it periodically with a soft cloth. Avoid abrasive cleaners, steel wool, and harsh chemicals as these will dull the finish and void your warranty.

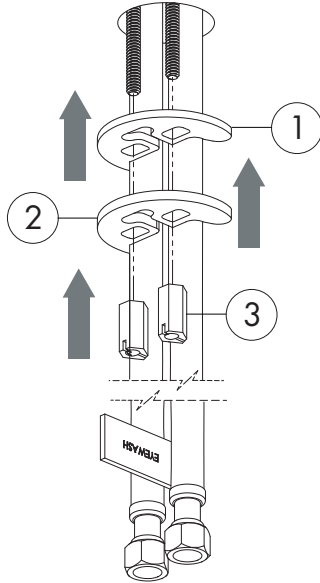
- 1 Turn off water supply. Verify diameter of hole in countertop is a minimum of 1-1/4". Install mounting studs into base of spout.



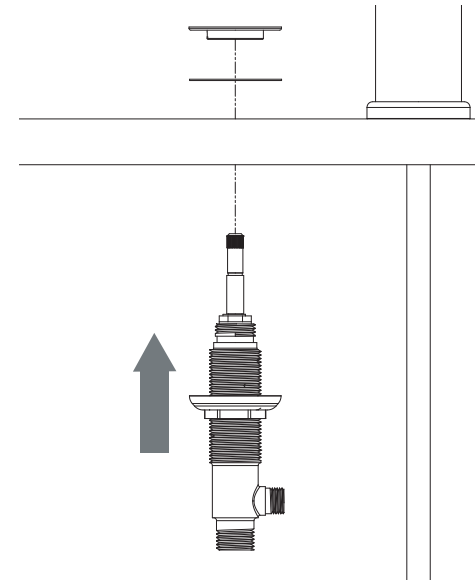
- 2 Install bottom washer over hoses and slide up to meet the base of the spout. Place hoses through hole in countertop/sink one at a time. Place spout with studs through hole.



- 3 From beneath countertop, slide the rubber mounting washer (1), then brass mounting washer (2) over the mounting studs. Thread brass nuts (3) onto mounting studs. Align spout square to sink and tighten mounting nuts (3).

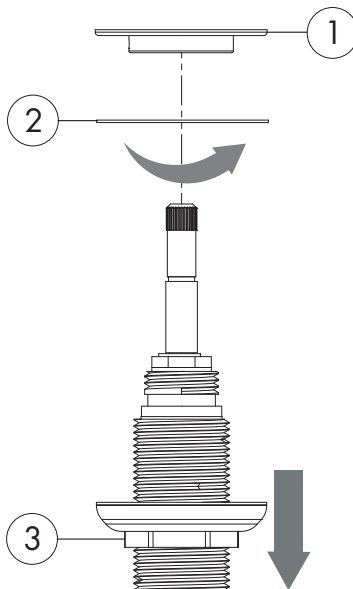


- 5 From below the counter top, push the end body through the outer hole in the sink. Repeat for the other end body.



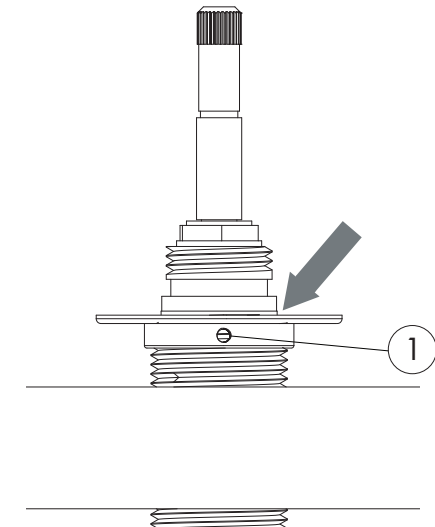
X2

- 4 The end bodies are installed next. First, the end body flange nuts (1) and rubber washers (2) must be removed. At the same time, loosen the mounting nut (3) to lower the cup washer. Repeat for the other end body.



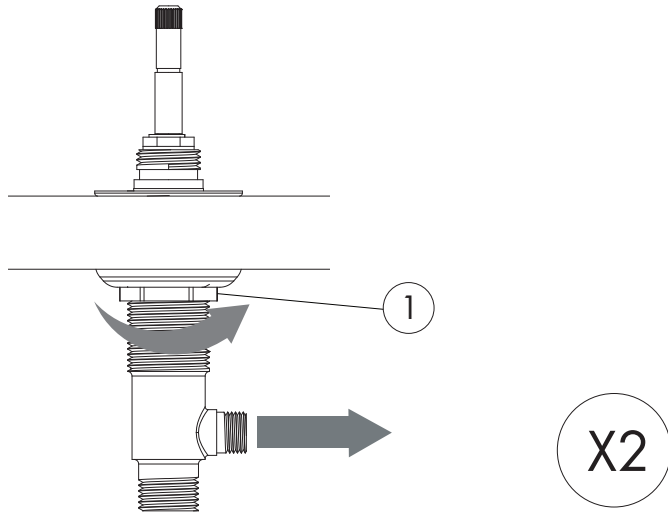
X2

- 6 While holding the end body from below, replace the rubber washer followed by the flange nut and tighten until the top is flush with the start of the chamfer (see below). Tighten the set screw (1) to secure this position. Repeat for the other end body.

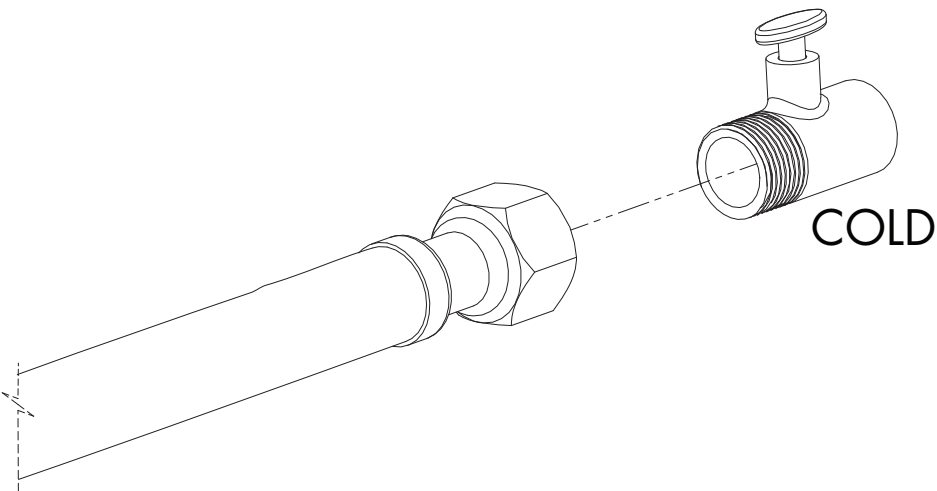


X2

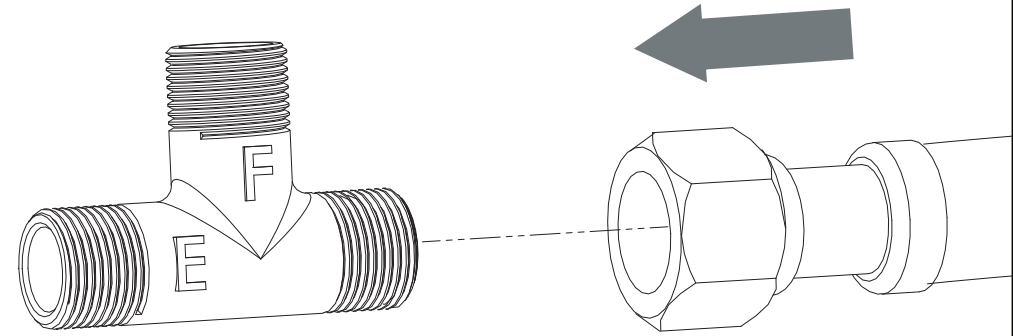
- 7 Tighten the lower nut (1) to secure the end body to the sink. Be sure to keep the end body outlet oriented towards the spout. Repeat for the other end body.



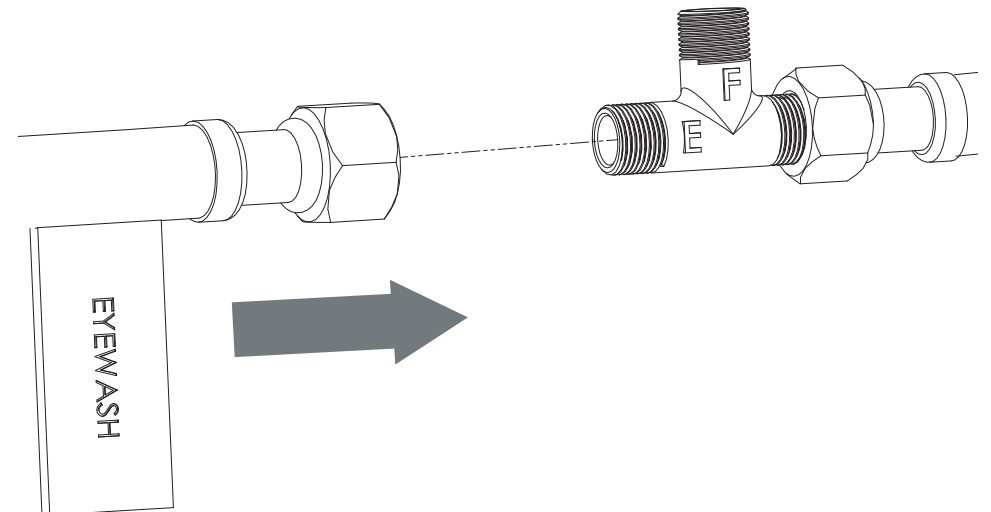
- 8 Retrieve the 6" long hose with a BLUE stripe from the box and connect one end to the COLD supply valve. Wrench tighten.



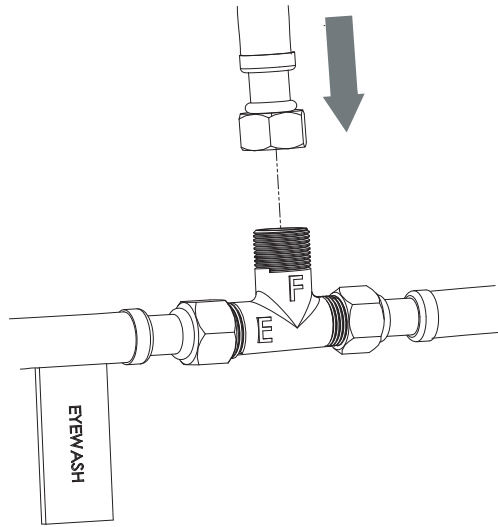
- 9 Locate the supply tee with check valves installed. Connect remaining end of hose to the port with no markings. Wrench tighten.



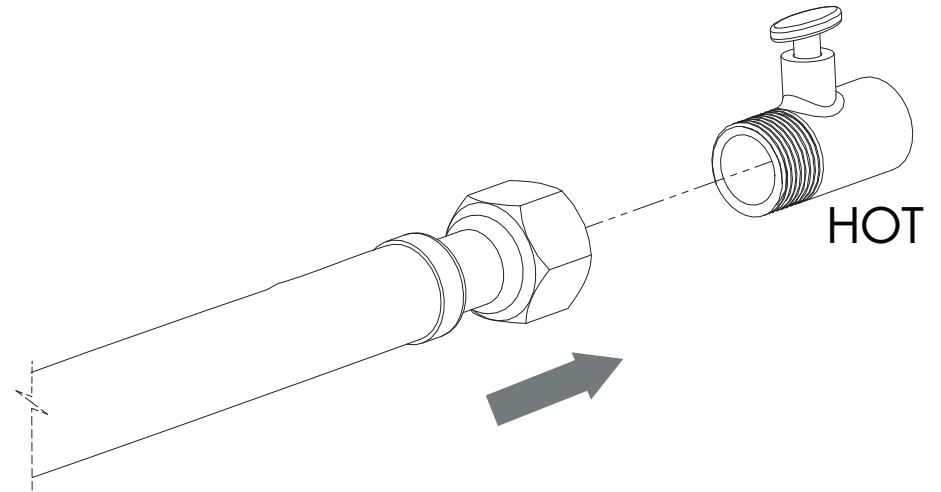
- 10 Locate the hose labeled "EYEWASH" that is pre-installed in the base of the SEF-1801. Connect this hose to the "E" port of the tee with check valves. Wrench tighten.



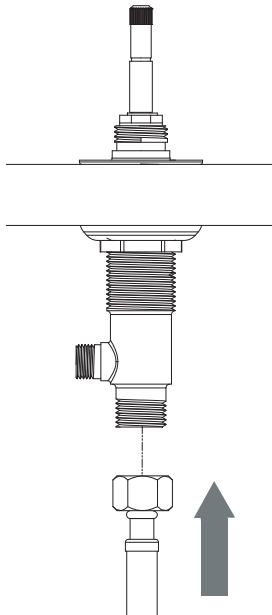
- 11 Retrieve supplied hose with a 3/8" fitting on one end, and a 1/2" fitting on the other. Connect 3/8" fitting end to the "F" port of the tee with check valves. Wrench tighten.



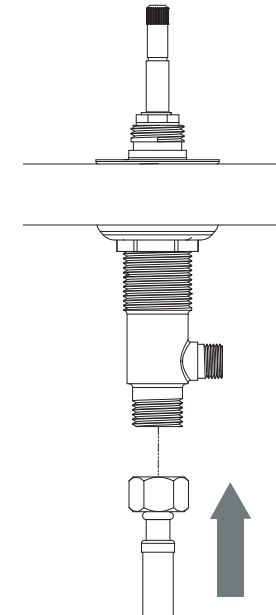
- 13 Retrieve another supplied hose with a 3/8" fitting on one end, and a 1/2" fitting on the other. Connect the 3/8" fitting end to the HOT supply valve. Wrench tighten.



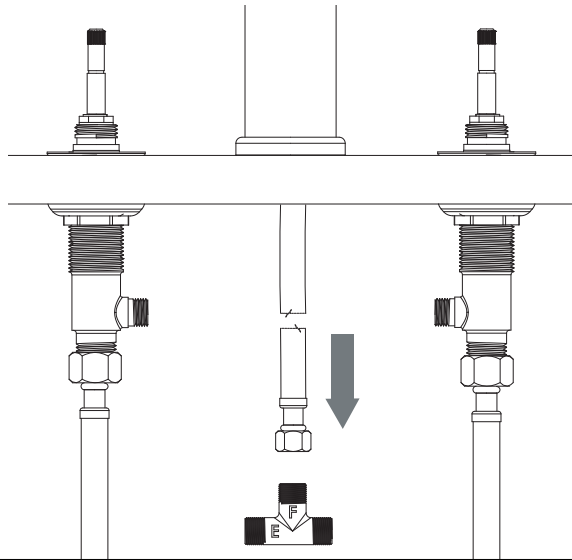
- 12 Connect the remaining end of the hose (with 1/2" fitting) to the bottom port of the COLD end body. Wrench tighten.



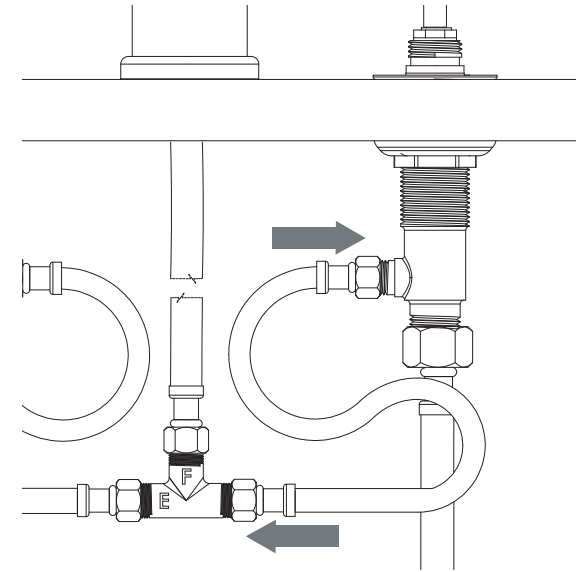
- 14 Connect the remaining end of hose (with 1/2" fitting) to the bottom port of the HOT end body. Wrench tighten.



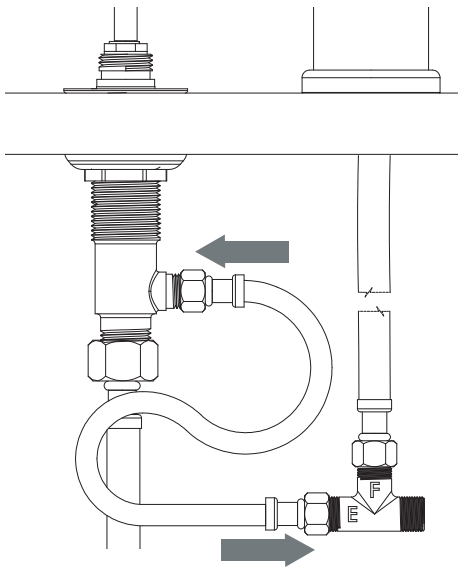
- 15 Retrieve the supply tee with no check valves. Connect the "F" port of the supply tee to the remaining hose pre-installed in the base of the SEF-1801. Wrench tighten.



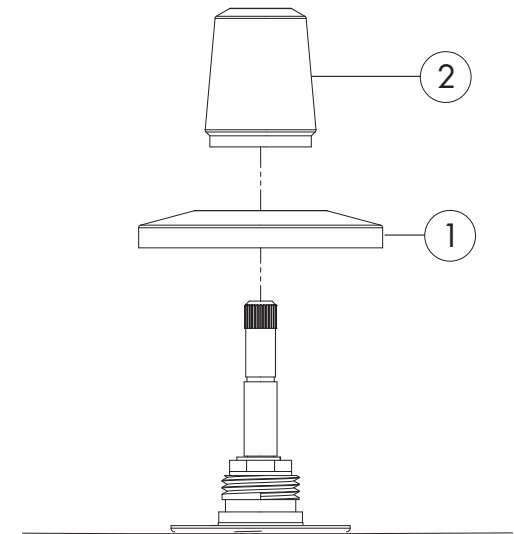
- 17 Connect one end of the remaining hose to the blank port of the supply tee with no check valves. Connect the remaining end to the 3/8" port of the COLD end body. Wrench tighten.



- 16 Retrieve the two (2) remaining supplied hoses. Take the first hose and connect one end to the "E" port of the supply tee with no check valves. Connect the remaining end to the 3/8" port of the HOT end body. Wrench tighten.

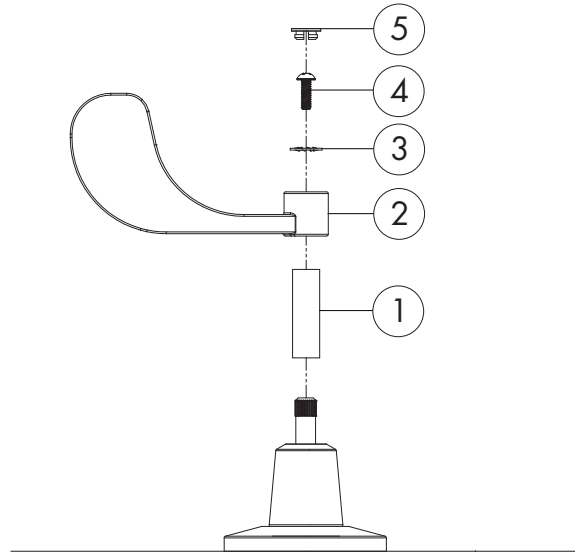


- 18 The handle trim can now be installed. Place flange (1) over spindle and lower onto end body. Thread collar (2) onto end body and hand tighten. Repeat for other side.

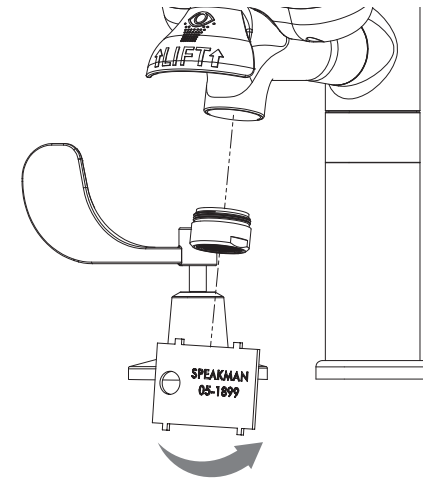


X2

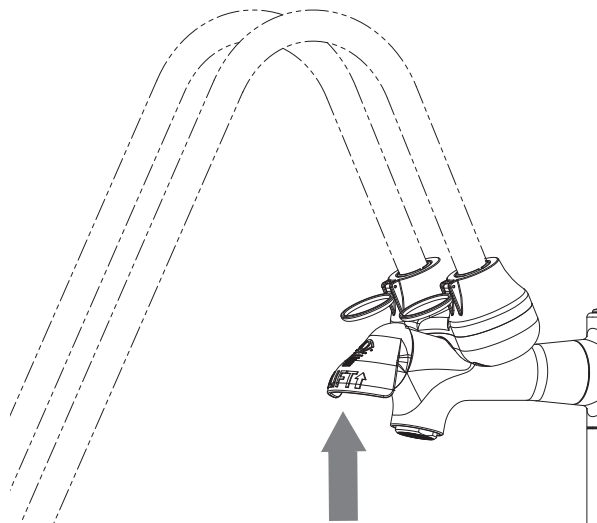
- 19 Slide trim sleeve (1) over the spindle, followed by the handle (2), lock washer (3) and screw (4). Tighten screw and install colored index (5). RED=HOT, BLUE=COLD. Repeat for other side.



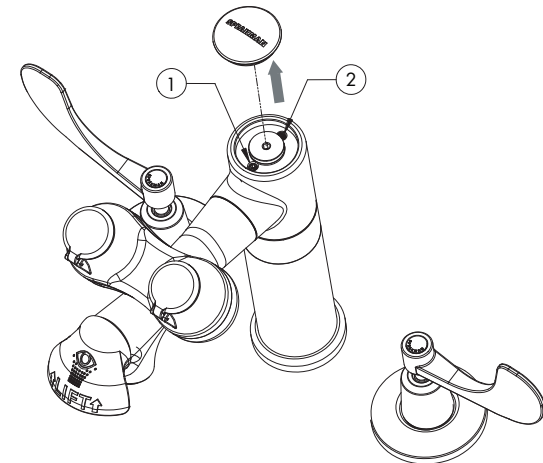
- 21 Turn on HOT and COLD handles of faucet and allow water to run for one minute to flush any debris from faucet. Install the aerator with the supplied aerator wrench.



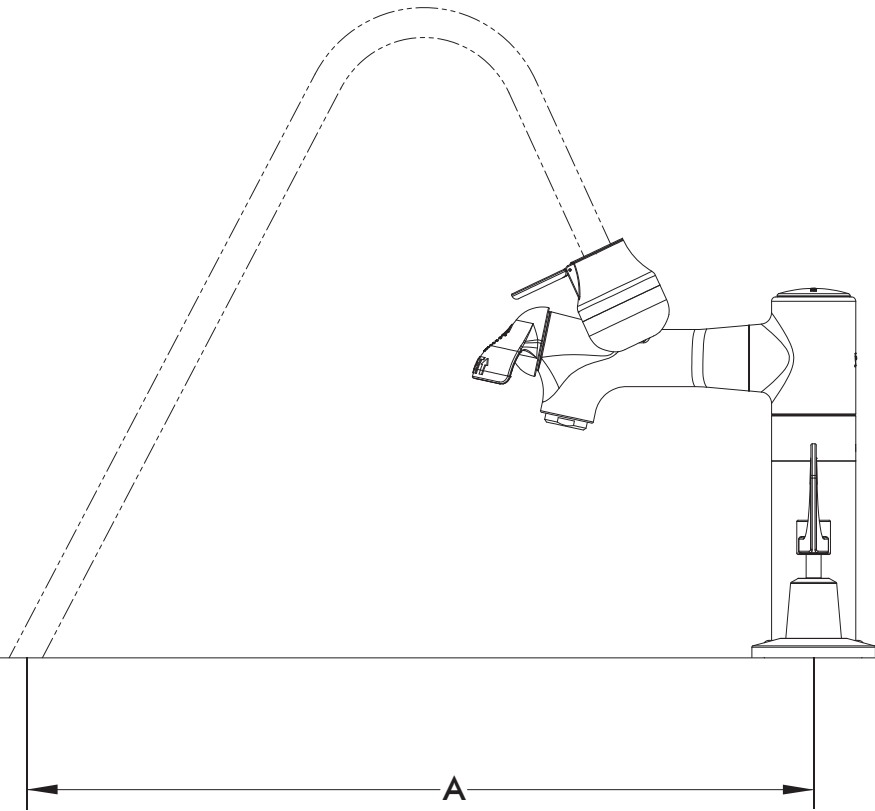
- 20 **NOTE: Before testing, you must remove tape from Eyewash Caps.** Turn on water supplies and check for leaks. Activate Eyewash by lifting activation handle and check for proper function using the chart at the the end of this document.



- 22 The spout was designed to swivel from left to right. If a non-swivel spout is preferred, remove top cover from body. Remove allen head set screw from position (1) as seen below. Center the spout between the handles and install the previously removed set screw into position (2) and tighten (DO NOT OVERTIGHTEN). Replace cap.



Eyewash Flow Data



SEF-1801

FLOWING PRESSURE		FLOW RATE		PLUME DISTANCE "A"	
psi	bar	gpm	L/min	in.	cm.
30	2.07	2.14	8.1	12	30.5
40	2.76	2.25	8.5	13	33.0
50	3.45	2.49	9.4	15	38.1
60	4.14	2.70	10.2	18	45.7
70	4.83	2.95	11.2	21	53.3
80	5.52	3.09	11.7	24	61.0

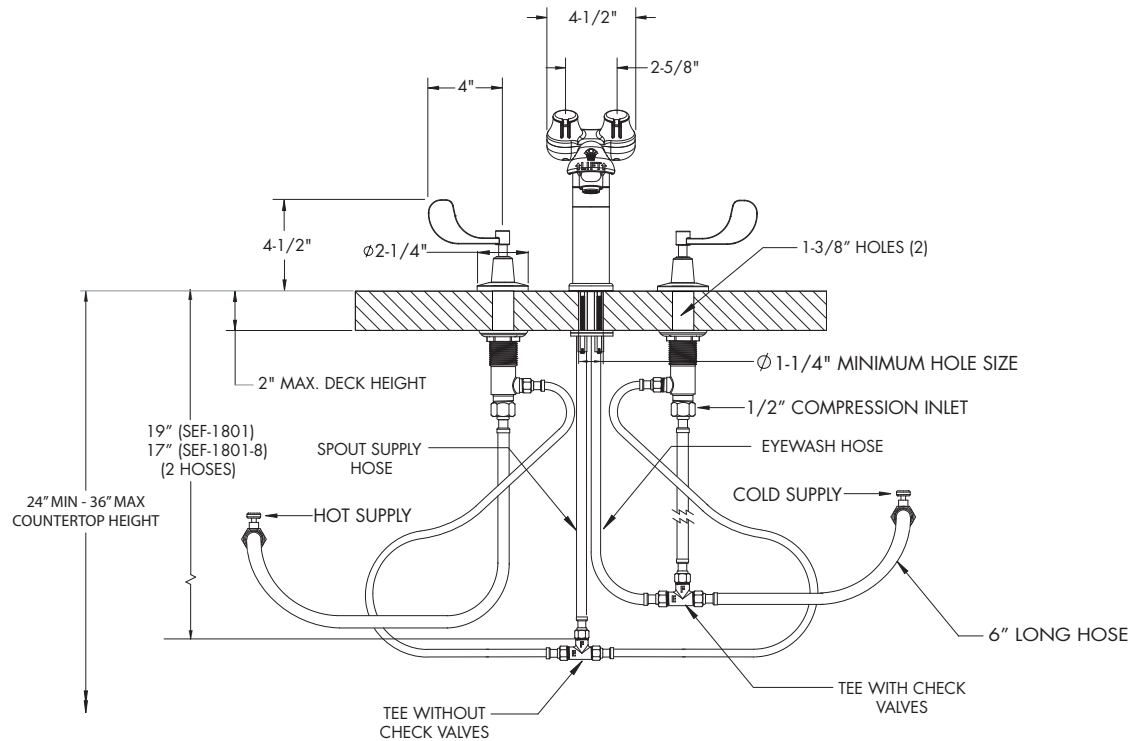
SEF-1801-8

FLOWING PRESSURE		FLOW RATE		PLUME DISTANCE "A"	
psi	bar	gpm	L/min	in.	cm.
30	2.07	2.15	8.1	17	43.2
40	2.76	2.24	8.5	18	45.7
50	3.45	2.47	9.3	20	50.8
60	4.14	2.71	10.3	23	58.4
70	4.83	2.95	11.2	27	68.6
80	5.52	3.13	11.8	29	73.7

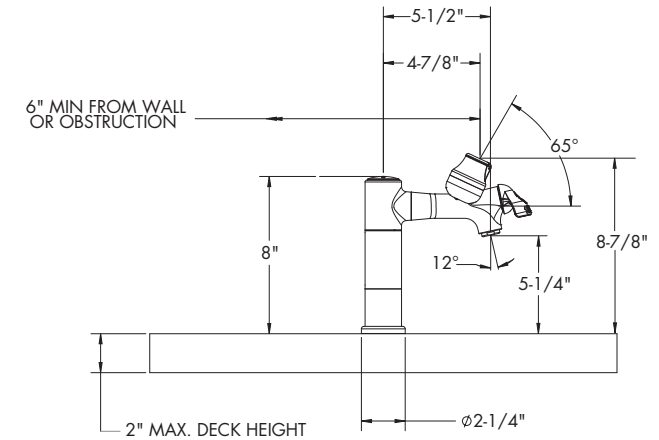
NOTE: If plume heights are low, check to ensure that your supply valves are fully open. If there is a noticeable height difference between the two plumes, remove the aerators and flow controls and remove any debris that would inhibit the flow of water.

ROUGH-IN MEASUREMENTS

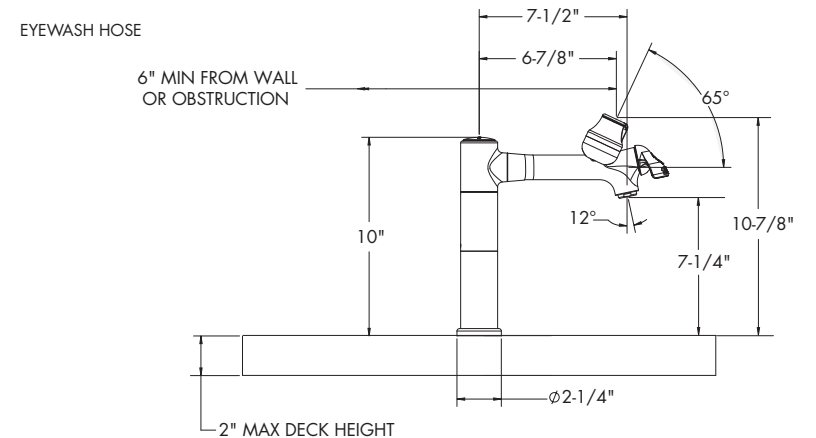
FRONT VIEW



SEF-1801 SIDE VIEW (LESS HOSES)



SEF-1801-8 SIDE VIEW (LESS HOSES)



REPAIR PARTS

RPG04-0316-PC	4" WRIST BLADE HANDLE GROUP WITH SCREWS, WASHERS, AND INDEX BUTTONS
RPG05-0534-CA	PERFECT VALVE CARTRIDGE ONLY (RED)
RPG05-0535-CA	PERFECT VALVE CARTRIDGE ONLY (BLUE)
G05-0872-PC	1.5 GPM FAUCET AERATOR
RPG05-0908	EYEWASH AERATORS, FLOW CONTROL ADAPTERS, ADAPTER WASHERS, AND FLOW CONTROLS
RPG04-0409	EYEWASH HANDLE WITH YELLOW TEXT AND SET SCREW
RPG05-0910	UPPER EYEWASH COVER WITH FLIP CAPS
RPG05-0909	EYEWASH CARTRIDGE
RPG49-0009	SPOUT QUAD RINGS (3) AND FRICTION WASHER (2)
G01-0053	MOUNTING HARDWARE GROUP
RPG41-0120	SPOUT INDEX BUTTON
RPG41-0285	HANDLE INDEXES AND SCREWS
G05-0627	CHECK VALVE (FOR TEE)

NOTE: UNLESS OTHERWISE SPECIFIED, ALL INLETS ARE 3/8" COMPRESSION WITH FEMALE THREADS. UNLESS OTHERWISE SPECIFIED, ALL DIMENSIONS ARE IN INCHES AND ARE SUBJECT TO CHANGE WITHOUT NOTICE.