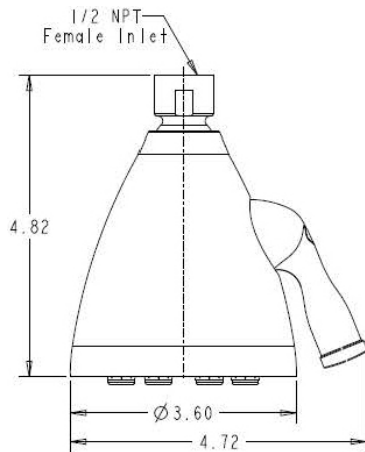


SPEAKMAN ANYSTREAM® CLASSIC

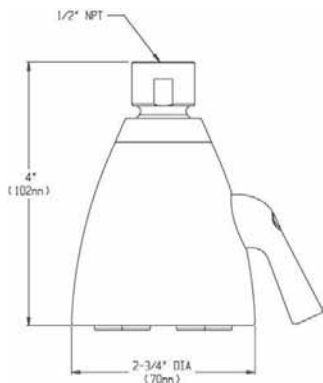
Showerheads S-2251, S-2252, S-2253

SPECIFICATION

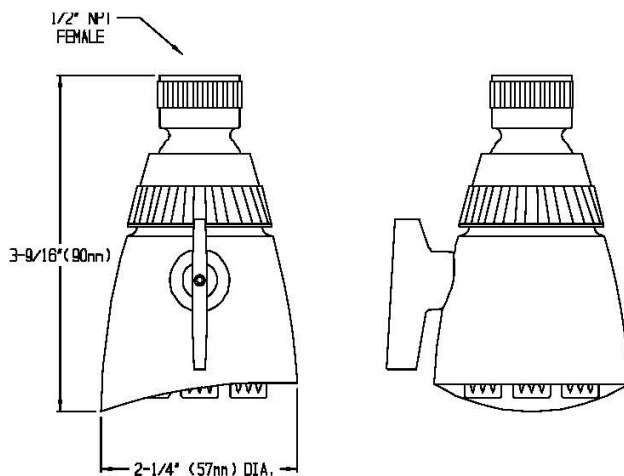
S-2251



S-2252



S-2253



FEATURES:

- 1/2" NPT inlet
- Lexan deposit resisting plungers
- Brass ball swivel joint.

S-2251

- Brass shank
- Spray adjusting handle
- 8 plungers, 64 sprays

S-2252

- Brass shank
- Spray adjusting peanut handle
- 6 plungers, 48 sprays

S-2253

- Chrome plated shank
- Spray adjusting T-handle
- 4 plungers, 32 sprays

AVAILABLE FINISHES:

ADD SUFFIX TO MODEL #

- Polished Chrome (standard)

OPTIONS:

ADD SUFFIX TO MODEL #

- 2.0 GPM flow rate (S-2252 & S-2253 only) -E2
- 1.75 GPM flow rate (S-2253 only) -E175
- 1.5 GPM flow rate (S-2253 only) -E15
- Polished brass finish (S-2251 & S-2252 only) -PB
- Blister pack packaging (S-2252 & S-2253 only) -BP
- 1/2" British pipe thread inlet -BPT
- Oil rubbed bronze (S-2251 & S-2252 only) -ORB
- Polished nickel finish (S-2251 & S-2252 only) -PN
- Brushed nickel finish (S-2251 & S-2252 only) -BN

COMPLIANCE:

- Certified to ASME A112.18.1/CSA B125.1 standards
- WaterSense certified (E2)

OPTIONS:

- 2.0 gpm (7.6 L/min) flow rate -E2

WARRANTY:

- 1 year limited

NOTE: 1. All dimensions are in inches (millimeters) unless otherwise specified and are subject to change without notice.

THIS SPACE FOR ARCHITECT/ENGINEER APPROVAL.

SPEAKMAN®

400 ANCHOR MILL ROAD | NEW CASTLE, DE 19720
 P: 800-537-2107 | F: 800-977-2747
 WWW.SPEAKMANCOMPANY.COM

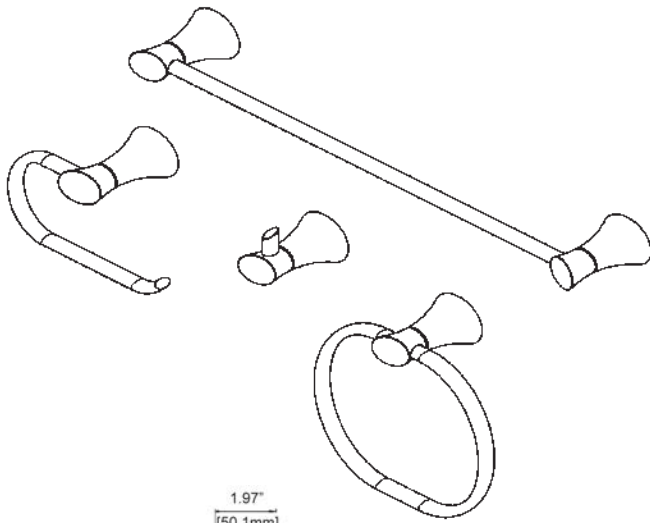


REVISION DATE: JULY 2012

SPEAKMAN CASPIAN™

Accessories

SPECIFICATION



FEATURES:

- SA-1207: 24" towel bar
- SA-1204: Towel ring
- SA-1205: Paper holder
- SA-1206: Robe hook
- Metal construction

AVAILABLE FINISHES:

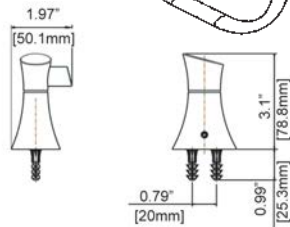
ADD SUFFIX TO MODEL #

- Polished Chrome (standard)
- Brushed Nickel -BN
- Polished Nickel -PN

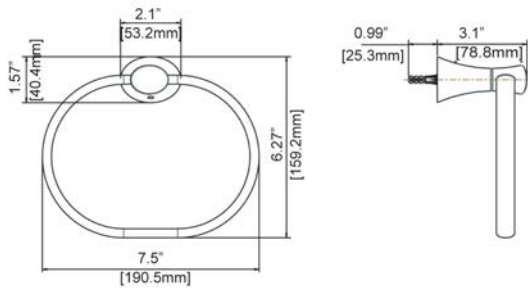
WARRANTY:

- 1 year limited

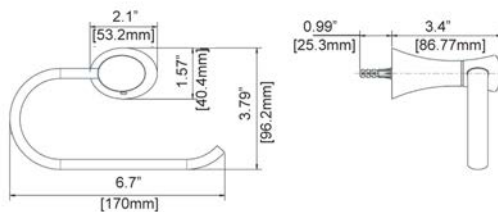
Robe Hook
SA-1206



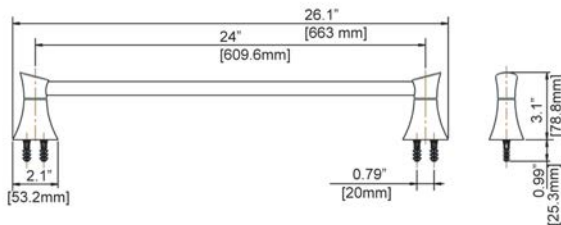
Towel Ring
SA-1204



Tissue Holder
SA-1205



Towel Bar
SA-1207



NOTE: 1. All dimensions are in inches (millimeters) unless otherwise specified and are subject to change without notice.

THIS SPACE FOR ARCHITECT/ENGINEER APPROVAL.

SPEAKMAN®

400 ANCHOR MILL ROAD | NEW CASTLE, DE 19720
P: 800-537-2107 | F: 800-977-2747
WWW.SPEAKMANCOMPANY.COM

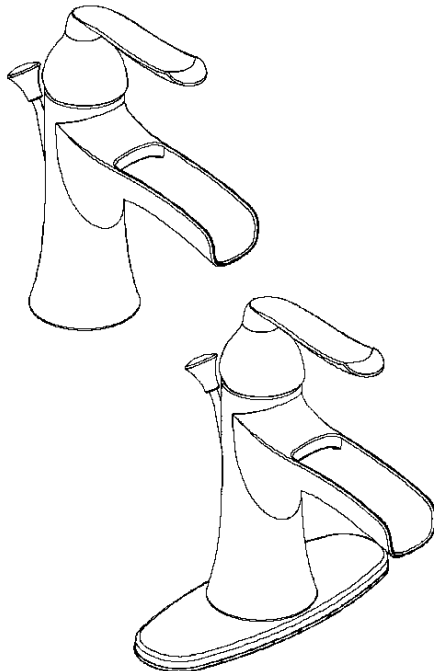


REVISION DATE: DEC. 2012

SPEAKMAN CASPIAN™

Single Lever Faucet SB-1211

SPECIFICATION



FEATURES:

- Lead-free brass construction
- Ceramic cartridge
- 1.5 gpm flow rate
- Contemporary style
- Includes drain assembly

COMPLIANCE:

- Certified to ASME A112.18.1/CSA B125.1, NSF 61 and WaterSense standards
- CA AB 1953 certified



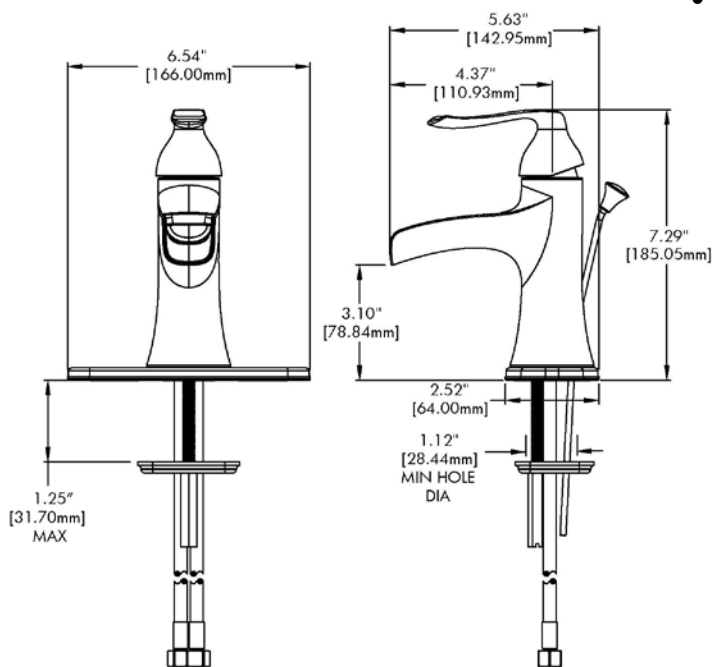
AVAILABLE FINISHES:

ADD SUFFIX TO MODEL #

- Polished Chrome (standard)
- Brushed Nickel -BN
- Polished Nickel -PN

WARRANTY:

- 1 year limited



NOTE: 1. All dimensions are in inches (millimeters) unless otherwise specified and are subject to change without notice. 2. Flex hoses have 3/8 compression female threaded connections.

THIS SPACE FOR ARCHITECT/ENGINEER APPROVAL.

SPEAKMAN®

400 ANCHOR MILL ROAD | NEW CASTLE, DE 19720
P: 800-537-2107 | F: 800-977-2747
WWW.SPEAKMANCOMPANY.COM

REVISION DATE: FEB. 2013

Management Systems
Registered to ISO 9001