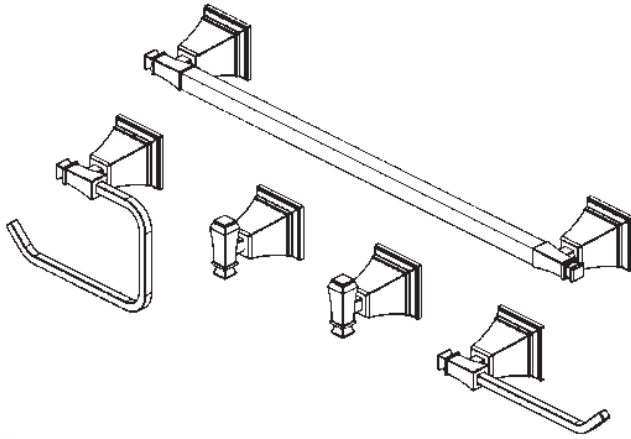


SPEAKMAN RAINIER™

Accessories

SPECIFICATION



FEATURES:

- SA-1307: 24" towel bar(1)
- SA-1304: Towel ring(1)
- SA-1305: Paper holder(1)
- SA-1306: Robe hook(2)
- Metal construction

AVAILABLE FINISHES:

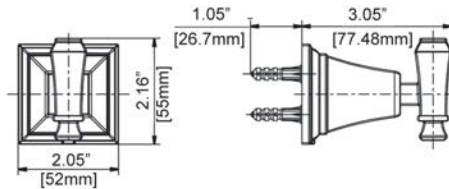
ADD SUFFIX TO MODEL #

- Polished Chrome (standard)

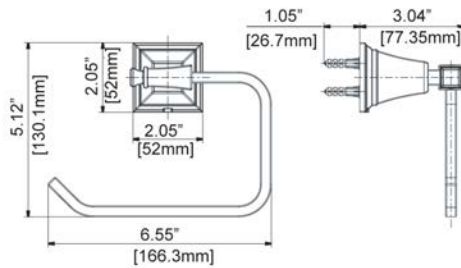
WARRANTY:

- 1 year limited

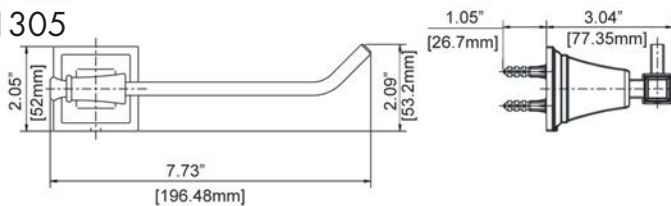
Robe Hook
SA-1306



Towel Ring
SA-1304



Tissue Holder
SA-1305



Towel Bar
SA-1307



NOTE: 1. All dimensions are in inches (millimeters) unless otherwise specified and are subject to change without notice.

THIS SPACE FOR ARCHITECT/ENGINEER APPROVAL.

SPEAKMAN®

400 ANCHOR MILL ROAD | NEW CASTLE, DE 19720
P: 800-537-2107 | F: 800-977-2747
WWW.SPEAKMANCOMPANY.COM



REVISION DATE: DEC. 2012