

SPEAKMAN COMPANY

VS-121 Installation, Maintenance & Operation Instructions

VERSATILE® WALL MOUNTED POST

DESCRIPTION

Speakman VERSATILE® chrome plated brass wall mounted post.

SPECIFICATIONS

SHIPPING WEIGHT: 0.3 LBS.

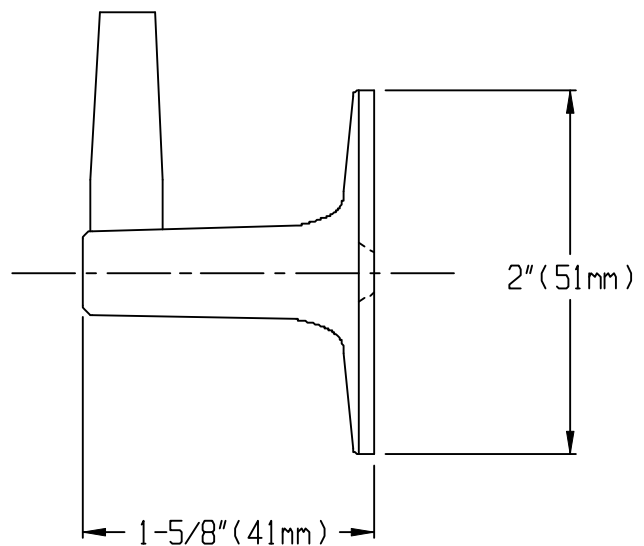
INSTALLATION

Location of the post is optional but restricted by the hose length. Attach post to wall using fasteners supplied. Slip hand held shower with swivel connector onto post.

MAINTENANCE

The gleaming finish of your SPEAKMAN VERSATILE® VS-121 wall mounted post can be cleaned by using mild soap and warm water. Dry immediately with a soft, clean cloth for best results.

ROUGH-IN MEASUREMENTS



Product improvements may cause specification and dimensional changes without notice.