

SPEAKMAN SAFETY PRODUCTS

Installation, Maintenance & Operation Instructions

SEF-1000 EYESAVER® FAUCET

DESCRIPTION

The SEF-1000 Eyesaver® faucet model allows a customer to convert their existing Speakman widespread faucet into a Speakman SEF-1800 Eyesaver® faucet. The SEF-1800 combines a gooseneck faucet with an independently operated eyewash.

SPECIFICATIONS

OPERATION: Pull handle to operate the eyewash

SUPPLY: Eyewash connection- 1/2" NPT male

Faucet Gooseneck- Inlets through the adapter tee have 3/8" male connections (SEF-1000 comes standard with 3/8" compression hoses to connect to Speakman widespread valves.

WIDESPREAD VALVES: Not included

FINISH: Chrome plated brass

EYEWASH ACTIVATION: Pull handle with graphics

EYEWASH SPRAYS: Aerated sprays.

EYEWASH FLOW RATE: 2.4 GPM at 30 psi. flowing. See flow data chart for additional information.

COUNTER THICKNESS: Up to 2" thick

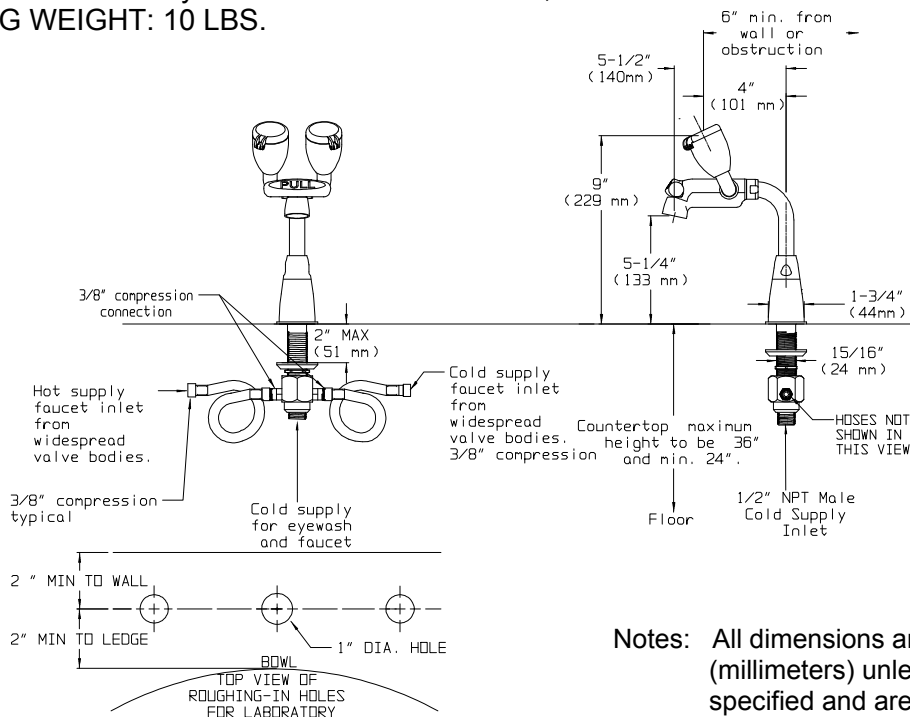
PRESSURE: 30 psi. minimum flow pressure, 125 psi. maximum static pressure

COMPATABILITY: -Connects to any Speakman widespread faucet with flexible hose connections.
 -Connects to any competitor widespread faucet that can connect to 3/8" compression fittings via flexible hose. (hardware not supplied)

APPROVALS: Meets ASME A112.18.1, ANSI Z358.1 and CSA B125.1

VACUUM BREAKER (ST option): Approved by ASSE, UPC and CSA. Meets the ANSI/ASSE 1035 standard for "Laboratory Faucet Vacuum Breakers", CSA B64.8 and UPC.

SHIPPING WEIGHT: 10 LBS.



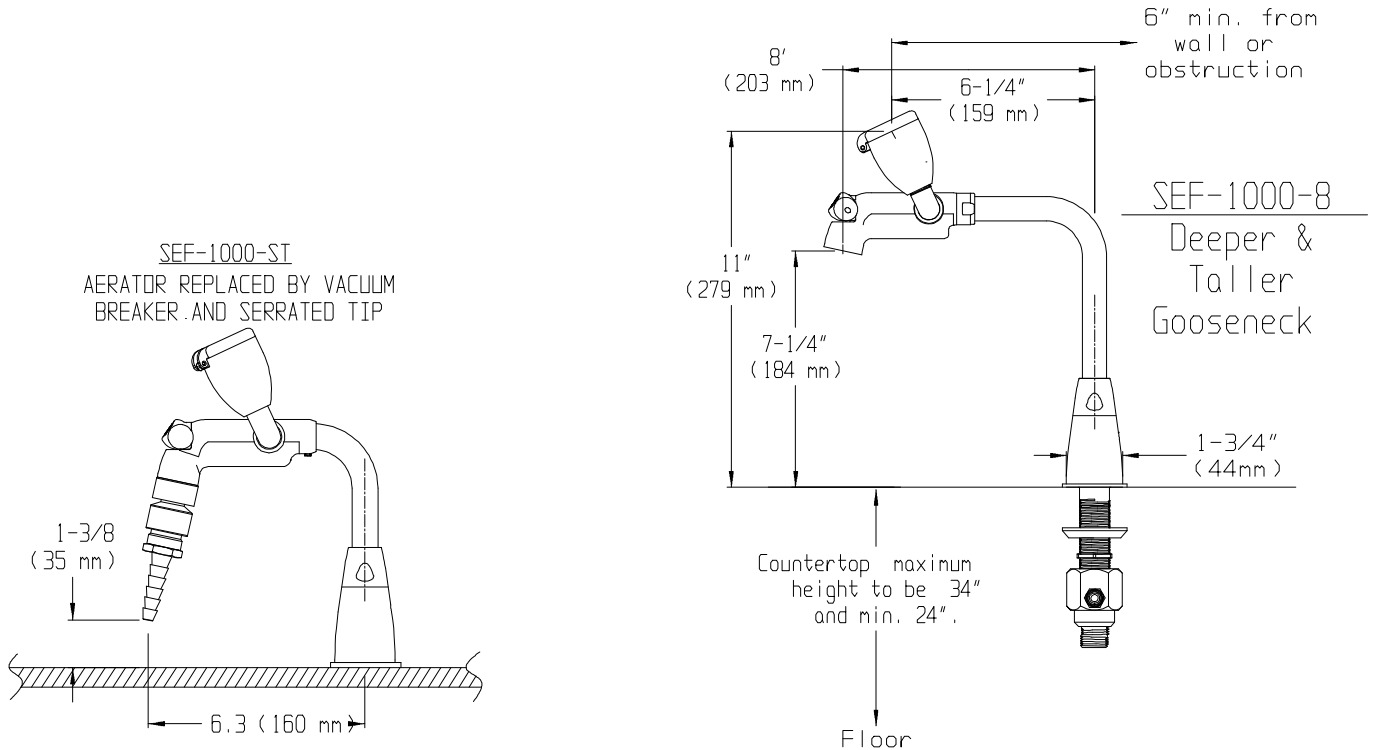
Notes: All dimensions are in inches (millimeters) unless otherwise specified and are subject to change.

SPEAKMAN®

IMPORTANT: The supply line for plumbed units shall provide an uninterrupted supply of flushing fluid at a minimum of 30 psi . of flow pressure. If shut off valve are installed in the supply line of the eyewash for maintenance purposes, provisions shall be made to prevent unauthorized shut off.

OPTIONS

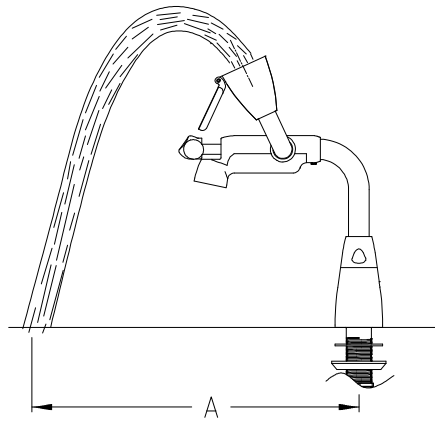
* BO – Vandal-Resistant 0.5 gpm Flow Control	* LF – Laminar Flow Outlet 2.2gpm
* ST – Serrated Tip with Vacuum Breaker	* 8 – 8” Gooseneck Spread
* TW- Tepid Water Supply	* NA – Non-aerated Eyewash Sprayheads
* FP – Foot pedal activation of faucet	* CA- Low Lead for CA AB1953 Compliance



FLOW DATA

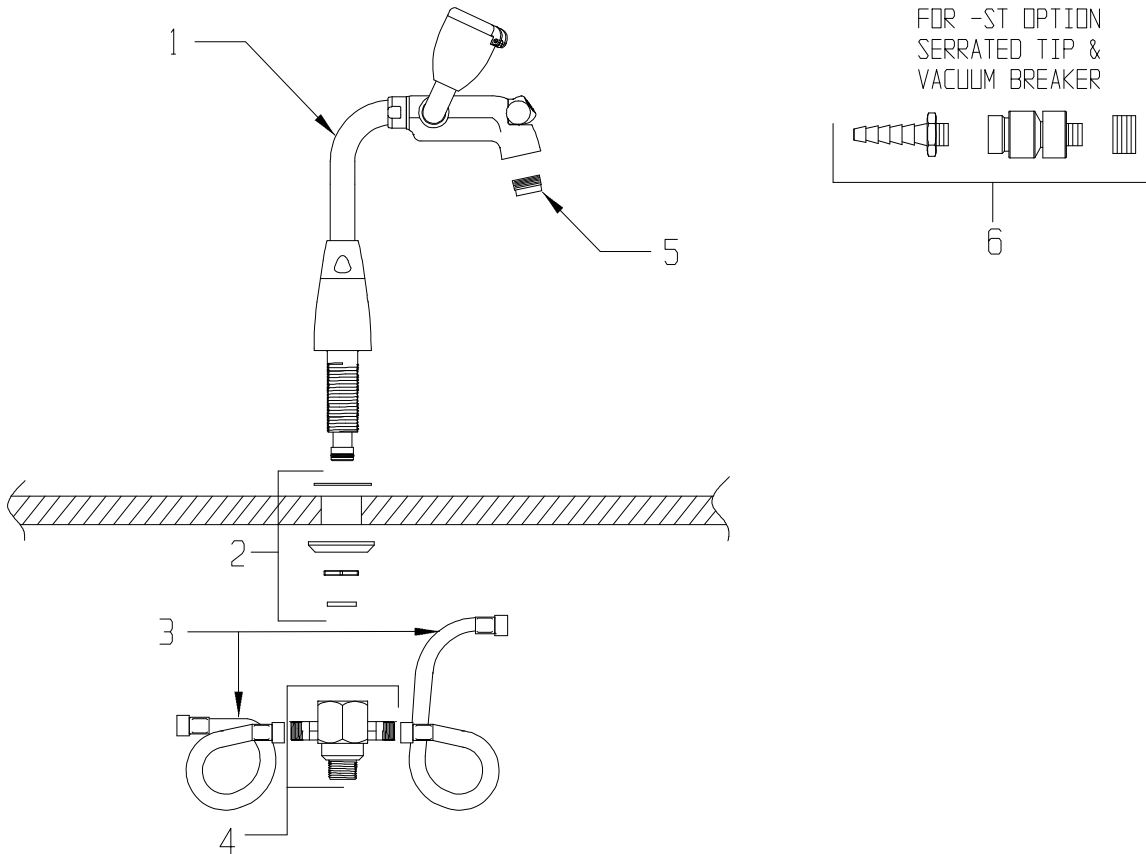
Flow Pressure-	psi. (BAR)	30 (2.07)	40 (2.76)	50 (3.45)	60 (4.14)	70 (4.83)	80 (5.52)
Flow Rate-	gpm (LPM)	2.43 (9.2)	2.75 (10.4)	2.8 (10.6)	3.01 (11.4)	3.22 (12.2)	3.5 (13.2)
Distance Eyewash Plumb, 'A' -	ins. (cm.)	10-1/2 (26.7)	12-1/2 (31.7)	14 (35.6)	14-1/2 (36.8)	16 (40.6)	17-1/2 (44.4)

SPEAKMAN®



PACKING LIST

Item	Description	Qty.	Item	Description	Qty.
1	Gooseneck / Valve Assembly	1			
2	Washer Bag Group	1	5	Aerator	1
3	Valve Body Hoses	2	6	Serrated Tip and Vacuum Breaker for -ST option, (replaces item 6)	1
4	Adapter Tee Group	1			



SPEAKMAN®

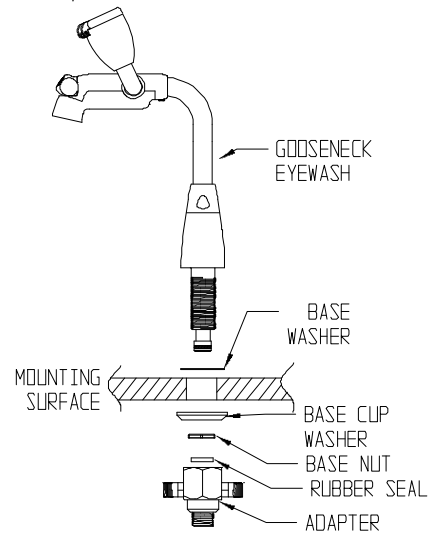
INSTALLATION

Step 1: Gooseneck Removal-

- a. Verify the water is shut-off to the unit
- b. Remove the old gooseneck unit. Clean mounting surface.

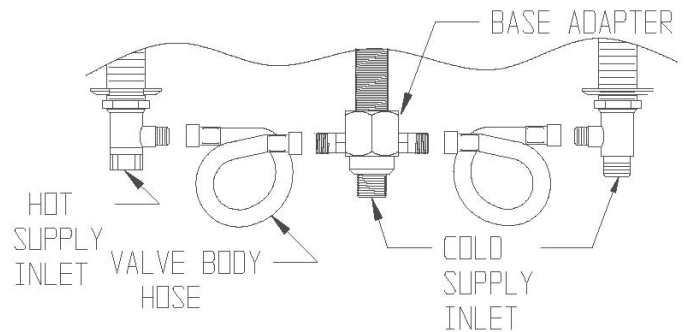
Step 2: Gooseneck Eyewash Mounting-

- a. Slip the base washer onto the gooseneck eyewash and slip through the center hole of the sink or countertop.
- b. The gooseneck eyewash swivels through 200° of rotation. Position the base of the gooseneck eyewash so the setscrew hole in the base is pointing towards the back of the sink or countertop. Note- For rigid gooseneck, position the gooseneck and tighten the setscrew in the mounting base. From below the sink, slip the cup washer onto the shank and use the nut to tighten the assembly down onto the sink or countertop.
- c. **Important-** Next insert the rubber seal into the adapter and screw the adapter onto the shank of the gooseneck eyewash until it bottoms out (Tape may be applied to the shank). If the adapter needs to be positioned for hose attachment, it can be backed off up to a maximum of 1 / 2 turn.



Step 3: Hose Connections-

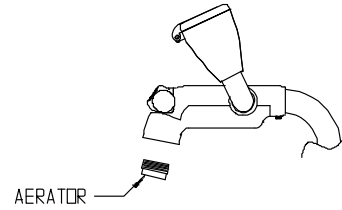
- a. The inlets to the base adapter accept 3/8" compression fittings. The SEF-1000 comes standard with 3/8" compression to hoses to mount to standard Speakman Co. valve end bodies (part nos. G20-2007/G20-2008)
- b. Screw valve body hoses onto the side outlets of the valve bodies and tighten. Screw the other end of the hoses onto base adapter.
- c. Connect the vertical inlet of the tee to the cold water inlet supply.
- d. Connect the hot & cold water supply lines to the inlets of the valve bodies and tighten the coupling nuts.



SPEAKMAN®

Step 4: Unit Flushing-

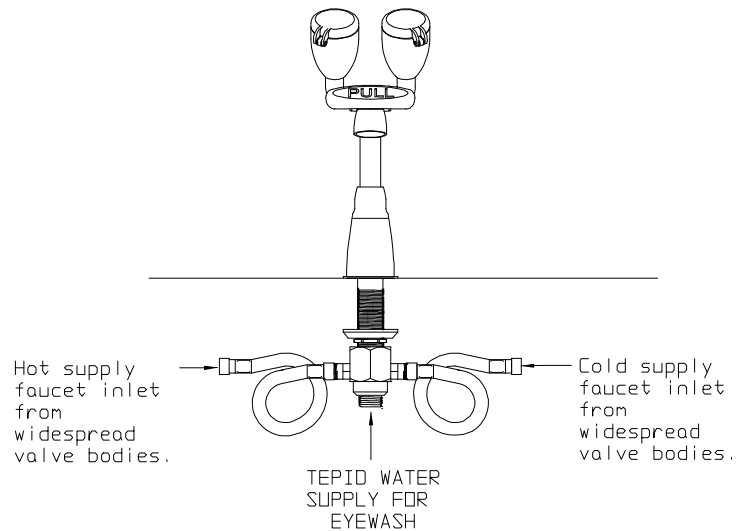
- After the assembly is complete, turn the hot and cold water supplies on and check for leaks.
- Activate the faucet to flush both the hot and cold sides of fixture. Check all connections for leaks.
- Install the aerator into the faucet outlet.
- At this time activate faucet and then activate the eyewash by pulling the handle and assure proper spray formation and no leaks.



ALTERNATE INSTALLATION FOR DEDICATED TEPID WATER SUPPLY

The unit is designed so the eyewash has a dedicated supply line. This allows the eyewash to have a tepid water supply. Attach the tepid water supply to the center adapter as shown in the figure and your cold water supply to the cold valve body.

ALTERNATE INSTALLATION FOR DEDICATED TEPID WATER SUPPLY



ANSI Z358.1-1998 requires that the delivered flushing fluid temperature shall be tepid. Also, in circumstances where chemical reaction is accelerated by flushing fluid temperature, a medical advisor should be consulted for the optimum temperature of each application.

OPERATION

Eyewash- The eyewash is activated by pulling the handle out. Once the eyewash is activated, the eyewash caps will flip off and water will come out of the aerated spray heads. The eyewash will continually discharge water until the handle is manually pushed back into the off position.

TESTING PROGRAM

ANSI Z358.1 requires that all emergency equipment shall be tested weekly to verify proper operation and inspected annually to assure conformance with ANSI Z358.1 requirement.

MAINTENANCE (CARE and CLEANING)

The gleaming finish of your SPEAKMAN Eyesaver® faucet can be cleaned by using mild soap and warm water. Rinse thoroughly and dry immediately with a soft, clean cloth for best results.

SPEAKMAN®

REPAIR PARTS LISTING

Part or Group Number	Description	Refer to Packing List Figure
RPG38-0388	Yellow spray head and aerator repair parts assembly	Part of item 1
RPG49-0003	Repair parts for internal seals of the gooseneck eyewash	Not shown
G05-0724-PC	Faucet 2.2 gpm aerator	Item 6
RPG04-0366	Eyewash handle with yellow text and set screw	Part of item 1

SPEAKMAN®