

SPEAKMAN COMPANY

SB-1020 Single Lever Basin Faucet

Installation, Maintenance & Operation Instructions

DESCRIPTION

Speakman polished chrome plated, NSF compliant, single lever basin faucet. Long-life ceramic cartridge. Adjustable temperature limit and flow control. Brass body construction with metal handle. Water conserving vandal resistant flow control reduces flow to 1.5 GPM/5.7 LPM maximum to meet existing ANSI A112.18.1 Standard. 3/8 compression flexible stainless steel inlet hoses. 1-1/4 pop-up drain.

SPECIFICATIONS

SUPPLY: 3/8 COMPRESSION (9/16-24 THREAD) FLEXIBLE STAINLESS STEEL HOSES(2).
 FLOW RATE: 1.5 GPM /5.7 LPM MAX
 SHIPPING WEIGHT: 4 lbs.

OPTIONS

◇ BO - Vandal-Resistant 0.5 gpm Flow Regulator	◇ LD – Less Drain	◇ LF - Vandal-Resistant 2.2 gpm Laminar Flow Outlet	◇ AF – 2.2 gpm vandal resistant flow control	◇
--	-------------------	---	--	---

INSTALLATION

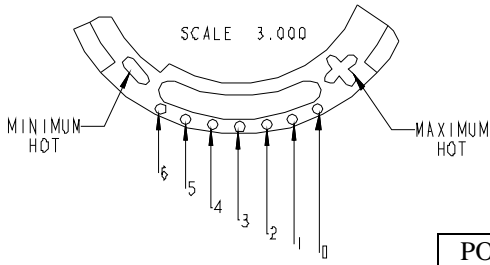
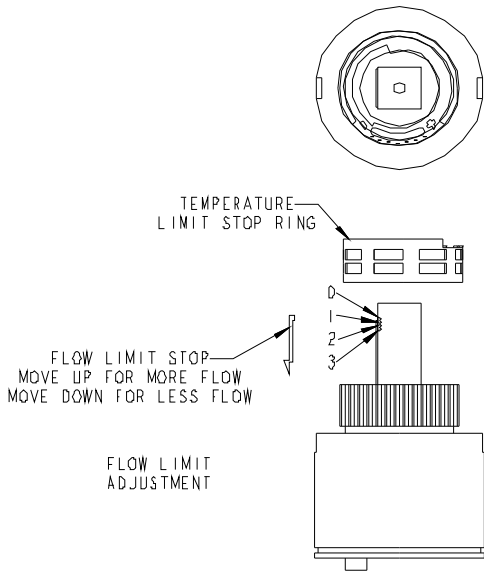
Note- See the Rough-In drawing on page #2 for the proper sink/countertop hole & thickness requirements for the various models.

- 1) If applicable, install the anti-rotation pin into body hole and drill hole in sink/countertop.
- 2) Holding the basin faucet body assembly, tighten the mounting stud with a Phillips screwdriver. Also position the rubber gasket into the faucet body base counterbore.
- 3) Place the hoses of the faucet, one at a time, through the hole of the sink/countertop. Carefully place faucet on the sink/countertop with the faucet anti-rotation pin inserted into the small hole that was earlier drill (If applicable) , and making sure the rubber gasket is still positioned properly. Working from under the sink, slip spacer (if applicable, see rough-in measurements) and cup washer onto the mounting stud. Screw the hold down nut onto the mounting stud and hand tighten. With the faucet pushed all the way forward towards the bowl & positioned properly, wrench tighten the faucet hold down nut, using a small adjustable wrench or 12 mm open-end wrench. After tightening, make sure the washer open side is centered with the two inlet hoses, so the washer is not damaging the hoses.
- 4) Hand tighten water supply hoses (2) to the supply stop (2). Wrench tighten supply hose connections.
- 5) If applicable, install the drain assembly.
- 6) Remove the outlet device from the faucet. Turn water supplies (2) on and flush out both sides of faucet. Install outlet device and check all connections for leaks.

OPERATION

Simply lift the handle up. Rotating the handle will change water temperature.

TEMPERATURE LIMIT STOP RING ADJUSTMENT



POSITION @ 45 PSI.	FLOW LIMIT	TEMP. LIMIT
0	0%	0%
1	5%	0%
2	12%	3%
3	25%	10%
4		20%
5		30%
6		40%

FLOW AND TEMPERATURE ADJUSTMENT INSTRUCTIONS

Adjusting Temperature Limit:

- 1) Remove handle by removing button and screw using a screw driver (and remove collar by hand counter-clockwise.
- 2) With cartridge control shaft in the center and off position, carefully lift and rotate the temperature limit stop ring to the desired setting using needle nose pliers or by hand. Clockwise rotation of the ring increases temperature and counterclockwise rotation of the ring lowers temperature (see table and schematic for details). Re-install handle and test for desired temperature.

Adjusting Flow Limit control:

- 1) Using a thin flat screwdriver, carefully remove flow limit stop by ontrl shaft.
- 2) Reset flow limit stop higher on the shaft to increase flow or lower to decrease flow.
- 3) Re-install handle and check for desired flow.

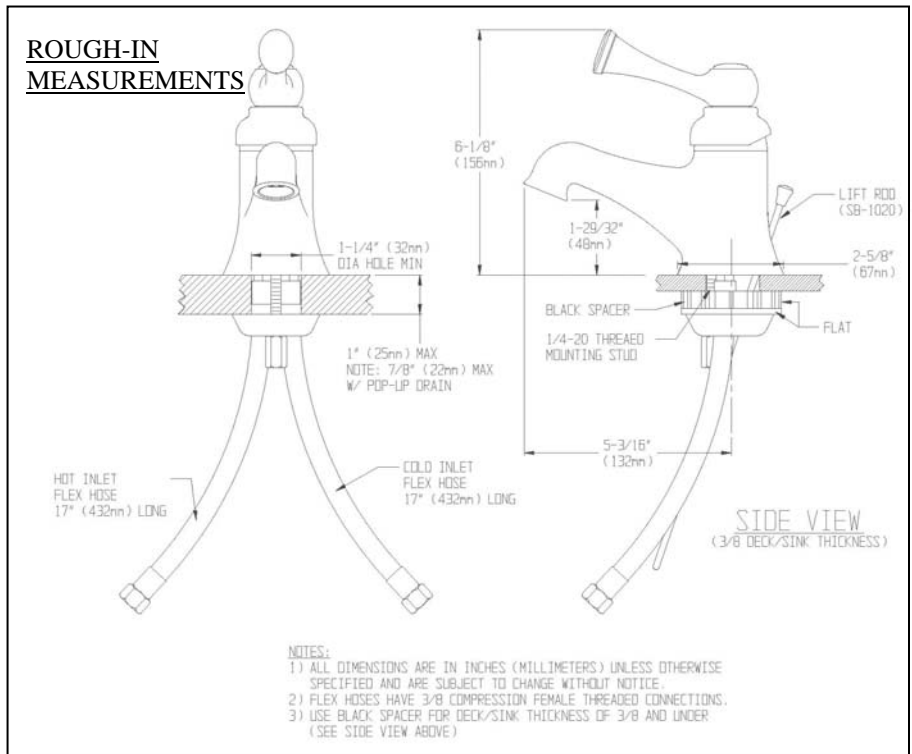
NOTE: The flow limit adjustment is effective when a higher than 2.2 GPM flow outlet is installed in the faucet or the flow outlet has been removed.

MAINTENANCE (CARE and CLEANING)

Valve is washerless and require no routine maintenance. The gleaming finish of your SPEAKMAN single lever basin faucet can be cleaned by using mild soap and warm water. Dry immediately with a soft, clean cloth for best results.

REPAIR / REPLACEMENT PARTS

ITEM NUMBER	PART OR GROUP NUMBER	DESCRIPTION
1	RPG05-0701	CARTRIDGE AND RETAINING NUT
2	RPG05-0674-PC	2.2 GPM VR AERATOR ASSEMBLY
3	RPG05-0733	0.5 GPM VR BOCA OUTLET ASSEMBLY
5	RPG04-0389	LEVER HANDLE, SCREW, & INDEX
6	RPG05-0875	MOUNTING HARDWARE & GASKET
7	RPG05-0734	2.2 GPM VANDAL RESISTANT AERATOR
8	RPG63-0080	HOSES (2)



PO Box 191 Wilmington, DE 19899 Phone: 800-537-2107 Fax: 800-977-2747
 Visit us on the web at www.speakmancompany.com