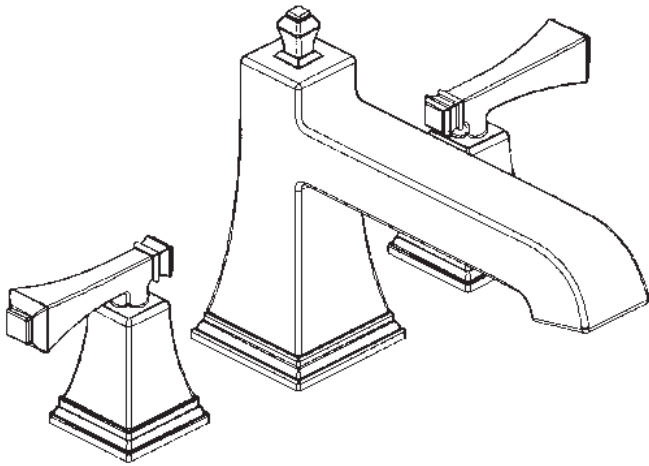


# SPEAKMAN RAINIER™

## Two Handle Roman Tub Faucet SB-1331

SPECIFICATION



### FEATURES:

- ¼ turn ceramic cartridge
- 3-hole installation
- Square style

### COMPLIANCE:

- Certified to ASME A112.18.1/CSA B125.1 standards

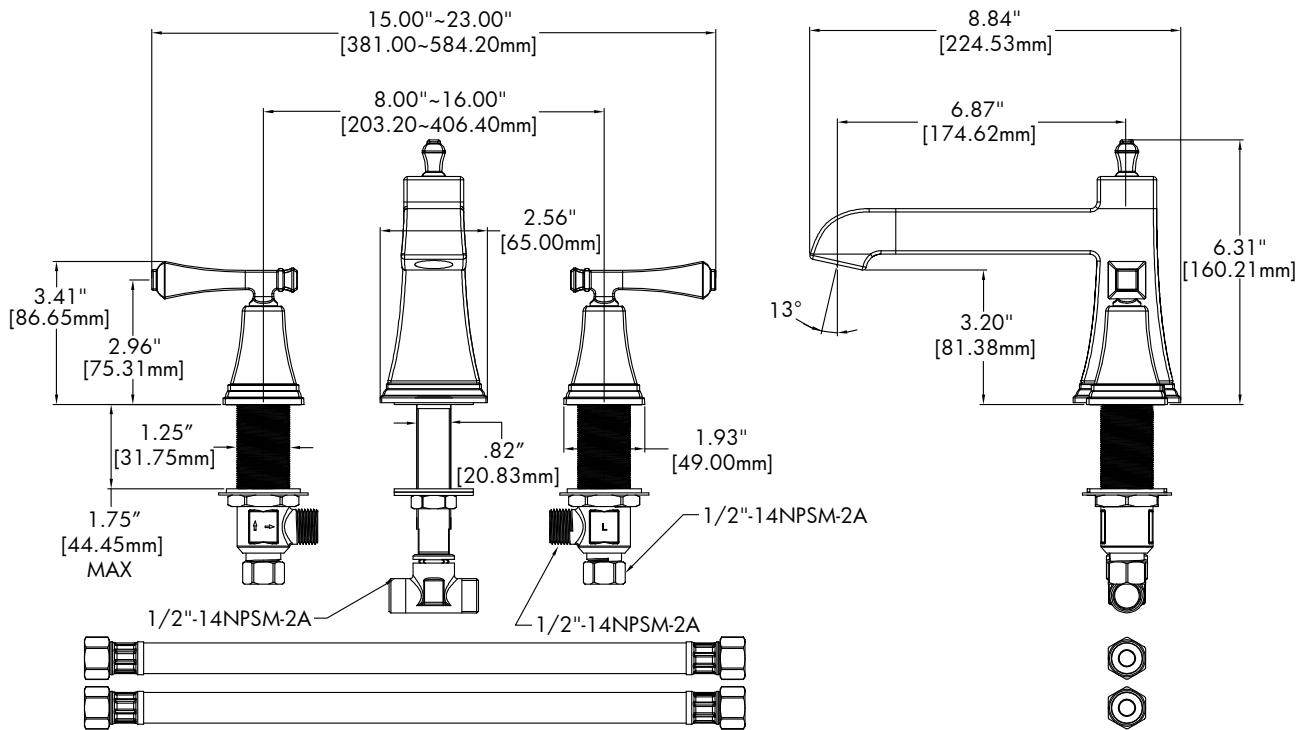
### AVAILABLE FINISHES:

ADD SUFFIX TO MODEL #

- Polished Chrome (standard)

### WARRANTY:

- 1 year limited



NOTE: 1. All dimensions are in inches (millimeters) unless otherwise specified and are subject to change without notice.

THIS SPACE FOR ARCHITECT/ENGINEER APPROVAL.

**SPEAKMAN**®

400 ANCHOR MILL ROAD | NEW CASTLE, DE 19720  
 P: 800-537-2107 | F: 800-977-2747  
 WWW.SPEAKMANCOMPANY.COM



REVISION DATE: SEPT. 2011