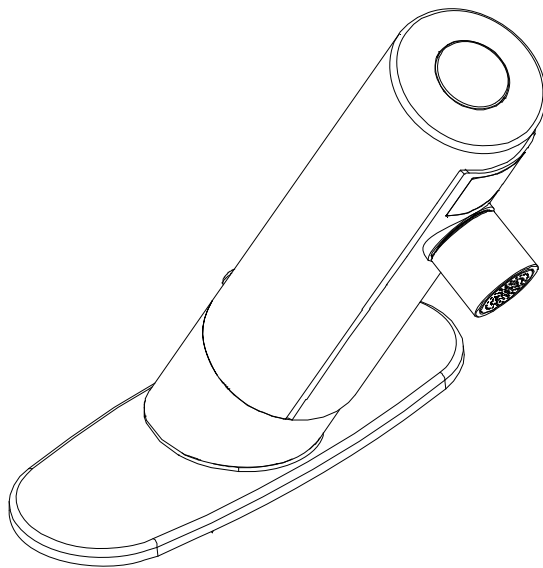


# SPEAKMAN SENSORFLO®

## Battery Powered Infrared Sensor Faucet S-9510

SPECIFICATION



### FEATURES:

- Chrome-plated Brass Construction
- Sensor Range from 2"-8"
- 0.5 gpm (1.9 L/min) flow rate
- 0.5 – 1.0 second time delay
- 60 second flow time out feature
- Uses four (4) AA Alkaline batteries

### COMPLIANCE:

- Meets ASME A112.18.1/CSA B125.1 Standards

### AVAILABLE FINISHES:

- Polished Chrome (standard)

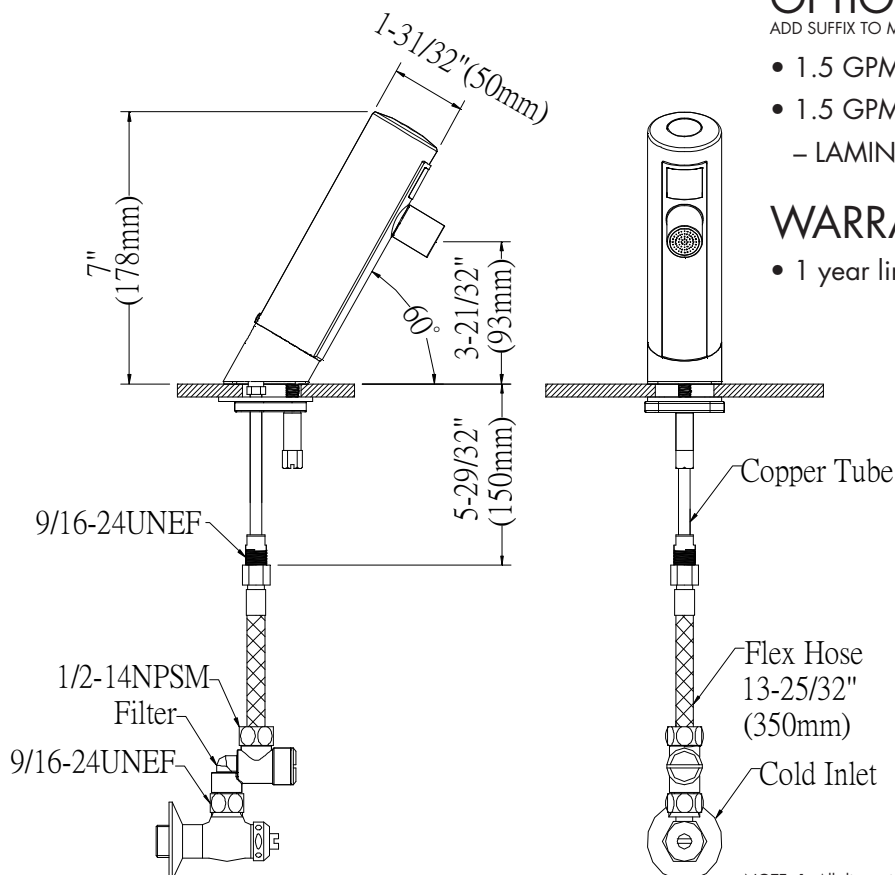
### OPTIONS:

ADD SUFFIX TO MODEL #

- 1.5 GPM AERATED OUTLET  -GB
- 1.5 GPM NON-AERATED OUTLET  
– LAMINAR FLOW  -LF-1.5

### WARRANTY:

- 1 year limited



NOTE: 1. All dimensions are in inches (millimeters) unless otherwise specified and are subject to change without notice.

THIS SPACE FOR ARCHITECT/ENGINEER APPROVAL.

# SPEAKMAN®

400 ANCHOR MILL ROAD | NEW CASTLE, DE 19720  
P: 800-537-2107 | F: 800-977-2747  
WWW.SPEAKMANCOMPANY.COM



REVISION DATE: NOV. 2011