

# SPEAKMAN®

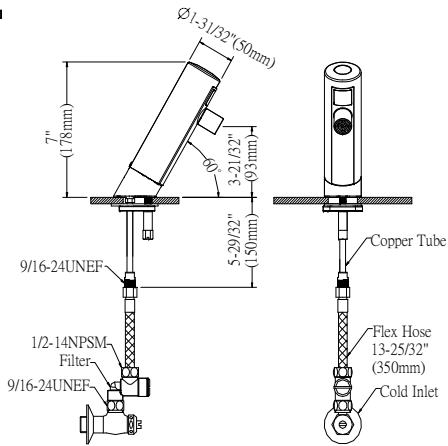
Absolutely the best.

400 ANCHOR MILL ROAD | NEW CASTLE, DE 19720  
www.speakmancompany.com

PHONE: 800-537-2107 | FAX: 800-977-2747

## Installation Instruction for S-9500 / S-9510

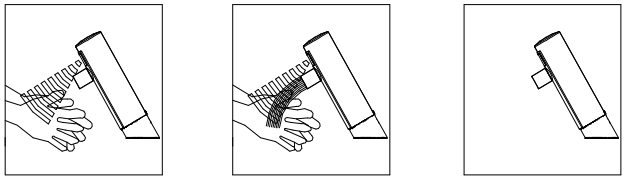
### ■ Mounting Dimension



### ■ Specification

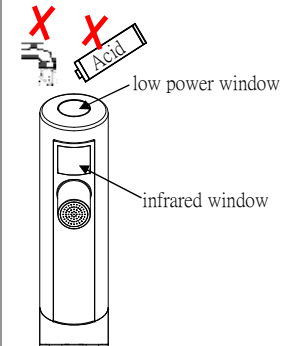
Model	S-9500 / S-9510 (with 4" Deck Plate)
Product	Automatic Infrared Sensor Faucet
Material of casing	chrome-plated brass casting
Power Apply	Size AA Alkaline battery x 4pcs
Power Consumption	5W below
Sensory Range	Automatic adjustment(2"-8")
Protection	Automatic flow stop after 1 minute in case of a continuous abnormal flow
Delay Time	0.5 - 1.0 seconds
Applicable water pressure	10-100 PSI
Flowing volume	0.5GPM (1.9L/min) MAX
Applicable water temperature	39°F- 185°F
Ceramic Bore Diameter	1-1/4" MIN

### ■ Operation



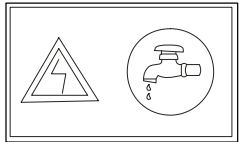
1. Keep hands under faucet for sensor detection.
2. Starts solenoid valve and flows immediately.
3. Stop flowing in 1 second after hands quit.

### ■ Caution



1. In order to avoid sensor failure, keep infrared window always clean to prevent dirt and dust.
2. Do not spray water or wash casing by strong acid, which may cause short-circuit or corrosion on casing. Wipe dirt or stain by wet soft cloth if necessary.
3. Clean filter regularly to avoid flow volume decline. (about 3-6 months depend on water quality condition)
4. The faucet applied for alkaline battery, replace new battery when LED flashes at the upside window indicator.

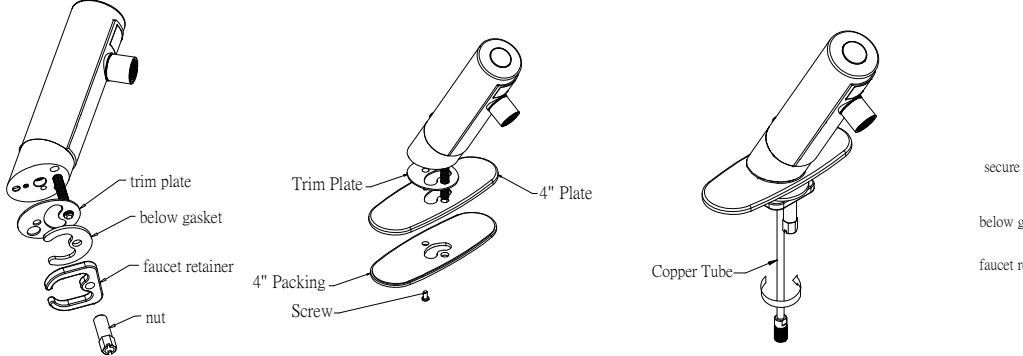
### ■ Installation Steps



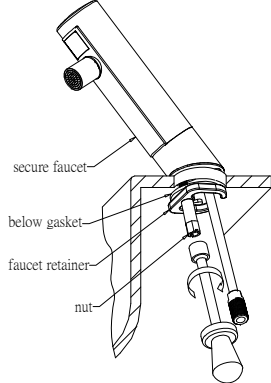
※Sensory range is automatically detected, electrified only after faucet firmly secured on basin or deck to avoid abnormal activation of sensory range.

※Check electric power and water source  
· Clean miscellaneous article inside of water pipe to avoid obstruction and faucet failure.

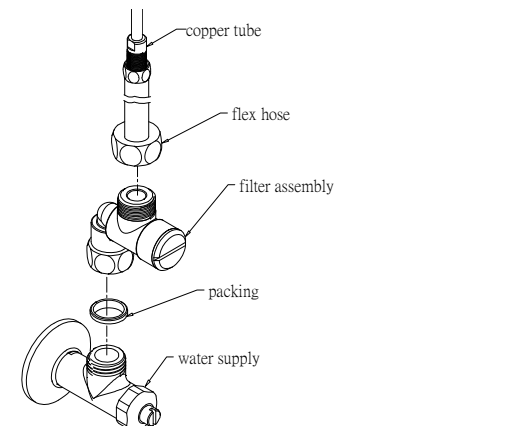
· Affirm specification of electric power and faucet model to avoid inflammation.



- (1) Remove nut, faucet retainer and below gasket. (keep trim plate)
- (2) Secure the 4" plate & packing with a screw.
- (3) Fasten copper tube onto faucet main body with wrench.

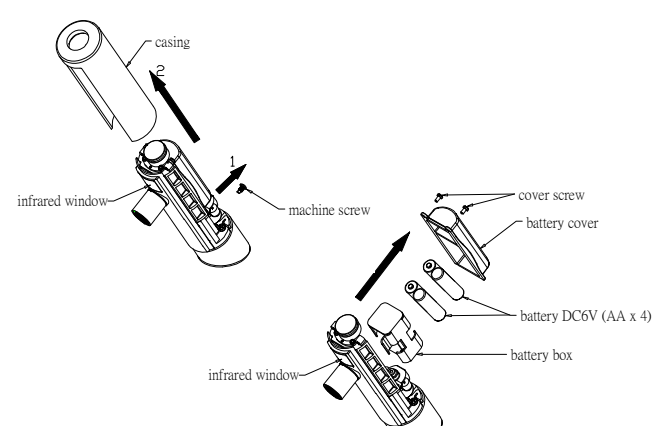


(4) Firmly secure faucet by tools on lavatory or deck.



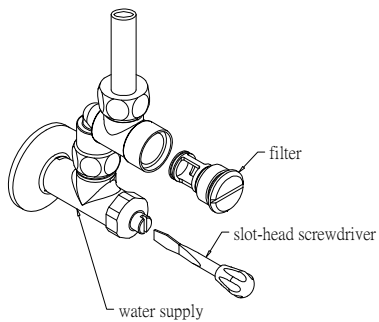
- (5) Turn on water supply to spout and flush out dirty water with miscellaneous article.
  1. Firmly secure filter assembly by tools above water supply.
  2. Fasten flex hose onto outlet of filter assembly, and inlet of copper tube.

※Remind to secure filter assembly to avoid faucet's abnormal activation.



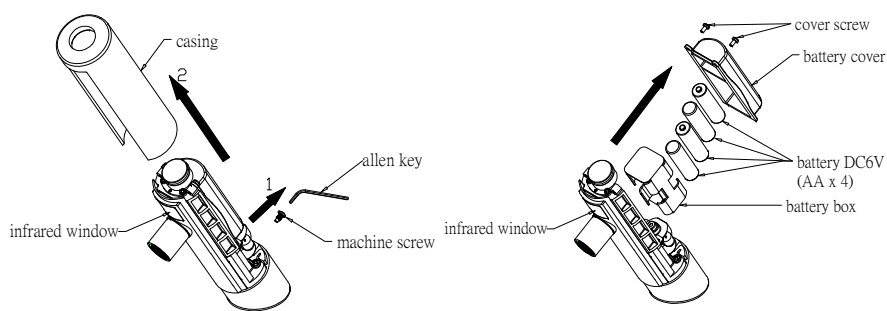
- (6) Remove casing and battery box in accordance with above charts.
  1. Confirm no obstacle on basin, deck and faucet's infrared window.
  2. Install battery DC1.5V AA x 4 accordingly, and do not approach infrared window within 3 seconds to complete faucet electrified and sensory range adjustment.
  3. Secure battery box and casing in opposite sequence.
  4. Turn on water supply and adjust to proper flow.

### ■ Clean filter and flow adjustment



1. Bad water quality resulted filter obstruction and flow decline. Turn off water supply by a slot-head screwdriver and take filter out for cleaning.
2. Adjust proper flow by a slot-head screwdriver.

### ■ Battery replacement and sensory range adjustment (automatic adjustment)



#### Battery replacement

The faucet applied for alkaline battery, please replace new battery when LED flashes at the upside window indicator.

- Procedure of battery replacement:
1. Remove fasten screws by an Allen key.
  2. Remove casing and battery box in sequence.
  3. Replace 4xDC1.5V(AA) Battery.
  4. Secure battery box and casing in opposite sequence.
  5. Fasten screws by an Allen key.

#### Sensory range adjustment

1. Remove battery in accordance with procedure of replacement.
2. Reload battery at 2 minutes later, do not approach basin or lavatory within 3 seconds, automatic adjustment completed.
3. Faucet completely works after turning on water supply.

### ■ Troubleshooting

Situation	Possible Cause	Solution
No function (LED flashes)	1. dirty infrared window	wipe infrared window by tissues
	2. lower battery	replace battery
No function (No LED flashes)	1. dirty infrared window	wipe infrared window by tissues
	2. lower battery	replace battery
	3. control circuit failure	replace circuit
No function (LED flashes when using)	1. water supply not turn on yet	check water supply
	2. solenoid valve's connector loose	reconnect its connector
	3. solenoid valve failure	replace solenoid valve
	4. control circuit failure	replace control circuit
Continuous flow	1. dirty infrared window	wipe infrared window by tissues
	2. over sensory range	reset sensory range
	3. solenoid valve failure	replace solenoid valve or clean diaphragm
Low flow volume	1. less water supply	increase water supply
	2. filter obstructed	clean filter
	3. aerator obstructed	clean aerator
Abnormal spout	1. dirty infrared window	wipe infrared window by tissues
	2. over sensory range	reset sensory range

### ■ S

