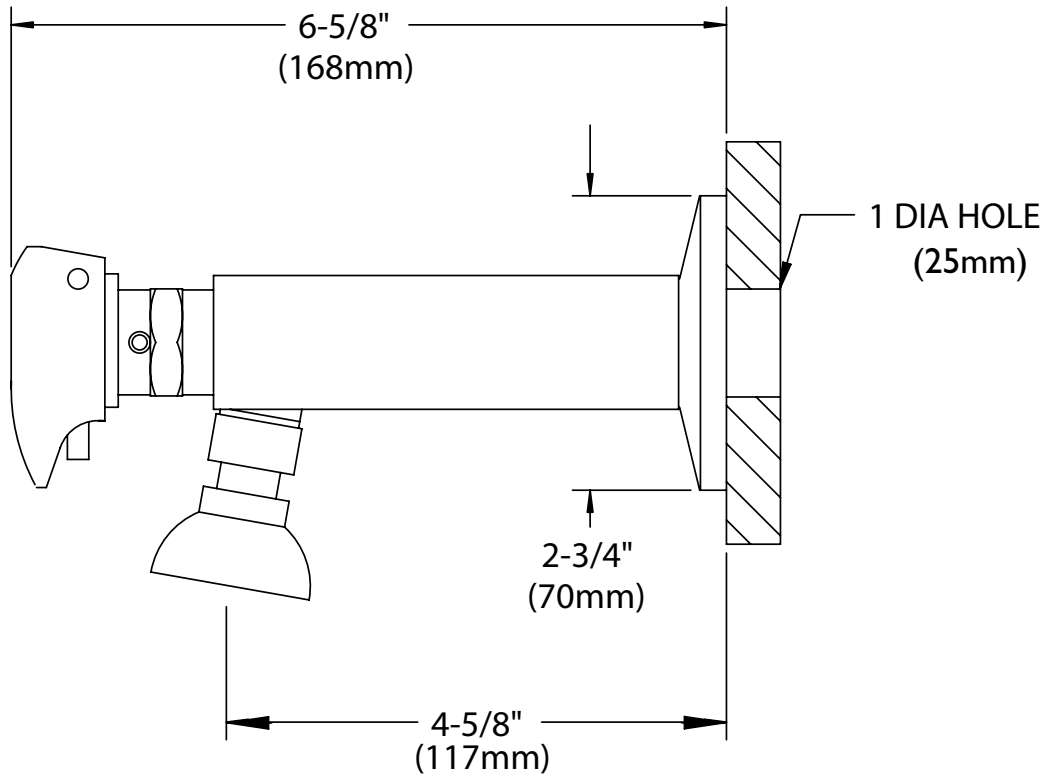




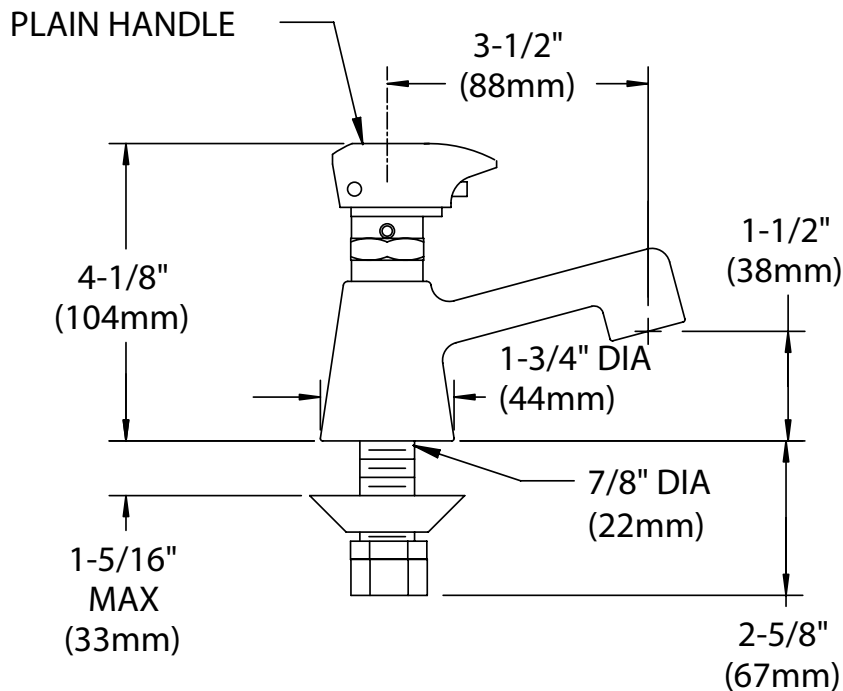
## ROUGH-INS

**S-4100**



NOTE: All dimensions are in inches (millimeters) unless otherwise specified and are subject to change without notice. Inlet is 1/2" NPTF.

**S-4122**  
**S-4123**  
**S-4124**



NOTE: All dimensions are in inches (millimeters) unless otherwise specified and are subject to change without notice. Inlet is sized for either coupling or sweat connections. Unless otherwise specified, inlet is 1/2" NPSM.