

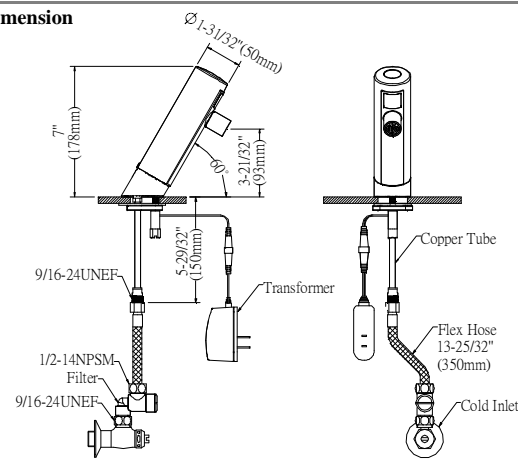
# SPEAKMAN®

Absolutely the best.

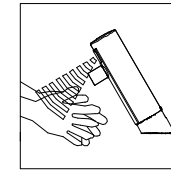
400 ANCHOR MILL ROAD | NEW CASTLE, DE 19720  
www.speakmancompany.com  
PHONE: 800-537-2107 | FAX: 800-977-2747

## Installation Instruction for S-9600 / S-9610

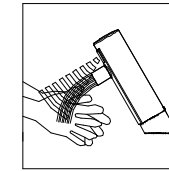
### Mounting Dimension



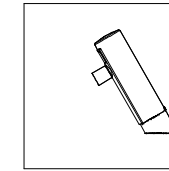
<b>Model</b>	S-9600 / S-9610 (with 4" Deck Plate)
<b>Product</b>	Automatic Infrared Sensor Faucet
<b>Material of Casing</b>	Chrome-plated brass casting
<b>Power Apply</b>	AC110V 50/60 Hz
<b>Power consumption</b>	5W below
<b>Sensory Range</b>	Automatic adjustment(2"-8")
<b>Protection</b>	Automatic flow stop after 1 minute in case of a continuous abnormal flow
<b>Delay Time</b>	0.5 - 1.0 seconds
<b>Applicable Water Pressure</b>	10-100 PSI
<b>Flowing Volume</b>	0.5GPM (1.9L/min) MAX
<b>Applicable Water Temperature</b>	39°F~ 185°F
<b>Ceramic Bore Diameter</b>	1-1/4" MIN



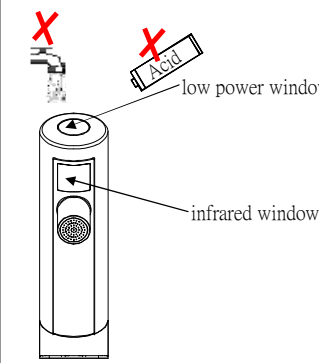
1. Keep hands under faucet for sensor detection.



2. Starts solenoid valve and flows immediately.

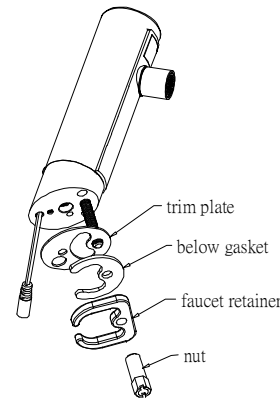
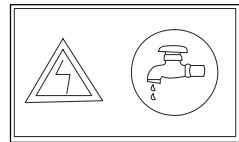


3. Stop flowing in 1 second after hands quit.

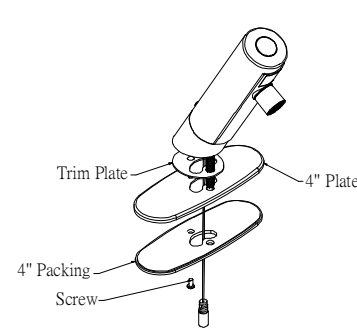


- In order to avoid sensor failure, keep infrared window always clean to prevent dirt and dust.
- Do not spray water or wash casing by strong acid, which may cause short-circuit or corrosion on casing. Wipe dirt or stain by wet soft cloth if necessary.
- Clean filter regularly to avoid flowing volume decline. (about 3-6 months depend on water quality condition)

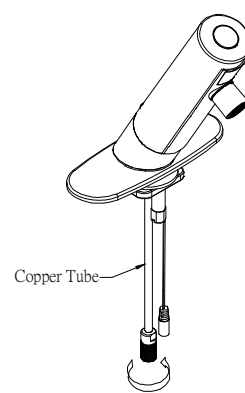
### Installation Steps



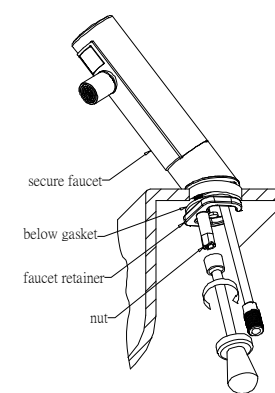
(1) Remove nut, faucet retainer and below gasket. (keep trim plate)



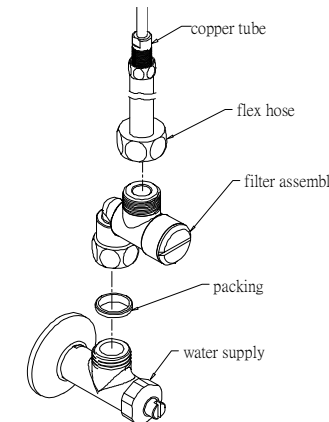
(2) Secure the 4" plate & packing with a screw.



(3) Fasten copper tube onto faucet main body with wrench



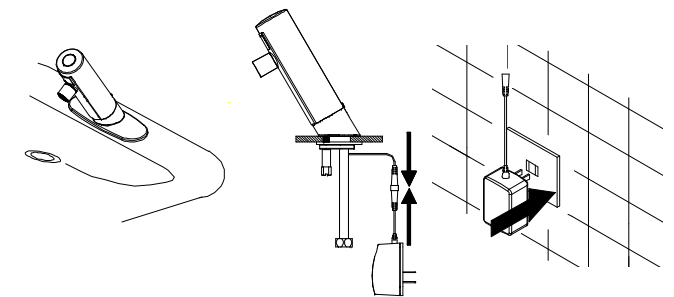
(4) Firmly secure faucet by tools lavatory or deck.



(5) Turn on water supply to spout and flush out dirty water with miscellaneous article

- Firmly secure filter assembly by tools above water supply.
- Fasten flex hose onto outlet of filter assembly and inlet of copper tube.

※Remind to secure filter assembly to avoid faucet's abnormal activation.



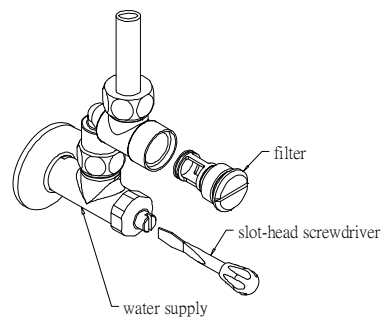
(6) Electrified and watered in accordance with following steps.

- Confirm no obstacle on basin, deck and faucet's infrared window
- Connect adapter to faucet's power connector.
- Connect power adapter and electric socket, and do not approach infrared window within 3 seconds after faucet electrified.
- Turn on water supplies and adjust to proper flow

※Check electric power and water supply:

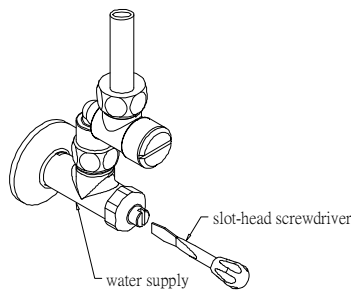
- Clean miscellaneous article inside of water pipe to avoid obstruction and faucet failure.
- Affirm specification of electric power and faucet model to avoid inflammation.

### Clean filter assembly



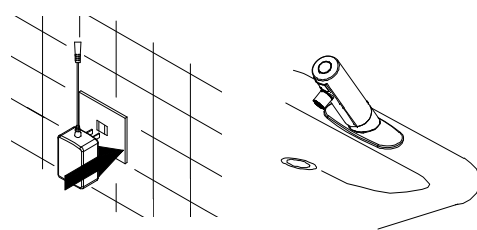
Bad water quality resulted filter obstruction and flow decline. Turn off water supply by a slot-head screwdriver and take filter out for cleaning.

### Flow adjustment



Adjust flow volume by a slot-head screwdriver.

### Sensory range adjustment (automatic adjustment)



- Remove power adapter from socket.
- Reconnect power adapter to socket after 10 seconds, do not approach basin or infrared window, an automatic adjustment of sensory range is completed within 3 seconds.
- Faucet completely works after turning on water supply.

### Troubleshooting

Situation	Possible Cause	Solution
No function (LED flashes)	1. dirty infrared window	wipe infrared window by tissues
No function (No LED lighting when using)	1. dirty infrared window	wipe infrared window by tissues
	2. electric power not connected	check power plug or voltage
	3. control circuit failure	replace control circuit
No function (LED keep lighting when using)	1. water supplies not turn on yet	check water supplies
	2. solenoid valve's connector loose	reconnect its connector
	3. solenoid valve failure	replace solenoid valve
	4. control circuit failure	replace control circuit
Continuous flow	1. dirty infrared window	wipe infrared window by tissues
	2. over sensory range	reset sensory range
	3. solenoid valve failure	replace solenoid valve or clean diaphragm
Low flow volume	1. less water supply	increase water supply
	2. filter obstructed	clean filter
	3. aerator obstructed	clean aerator
Abnormal spout	1. dirty infrared window	wipe infrared window by tissues
	2. over sensory range	reset sensory range

### Spare parts

