

# **SPEAKMAN COMPANY**

## **S-2590 Installation, Maintenance & Operation Instructions**

### **PIVOTING SHOWER ARM**

#### **DESCRIPTION**

Speakman polished chrome plated 10" pivoting extension shower arm. Raises or lowers the shower arm over a 20" range. Key included to set adjustment.

#### **SPECIFICATIONS**

½" NPSM FEMALE INLET  
½" NPT MALE OUTLET  
SHIPPING WEIGHT: 0.6 LBS.

#### **OPTIONS**

◇ PBL: Polished Brass Lacquer Finish

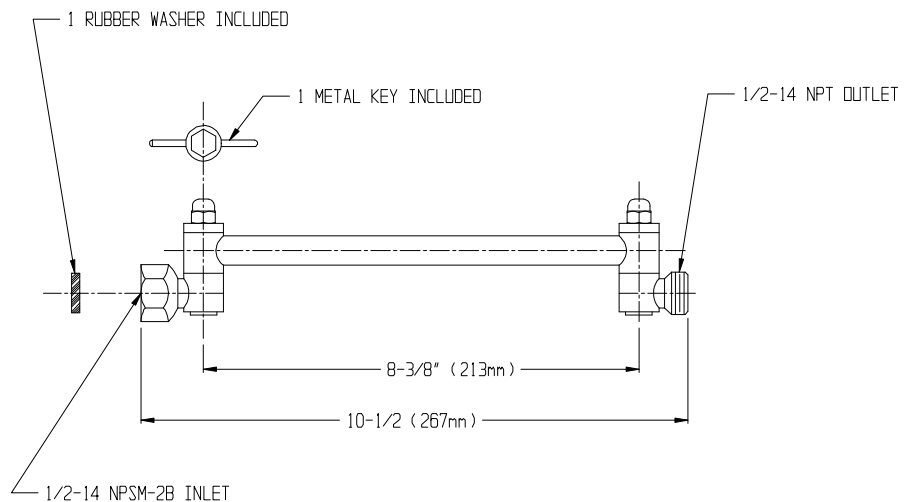
#### **INSTALLATION**

Apply teflon tape or pipe dope to outlet threads of extension arm. Attach shower head. Wrench tighten. Attach extension arm to shower arm using the rubber washer. Wrench tighten. Loosen adjusting nuts and set to desired height, tighten nuts firmly. Check all connections for leaks.

#### **MAINTENANCE**

The gleaming finish of your SPEAKMAN pivoting shower arm can be cleaned by using mild soap and warm water. Dry immediately with a soft, clean cloth for best results.

#### **ROUGH-IN MEASUREMENTS**



Product improvements may cause specification and dimensional changes without notice.

**SPEAKMAN®**

PO Box 191 Wilmington, DE 19899 Phone: 800-537-2107 Fax: 800-977-2747  
Visit us on the web at [www.speakmancompany.com](http://www.speakmancompany.com)

09/07  
REV 1  
92-1815