

**SPEAKMAN COMPANY**  
**S-1182 Installation, Maintenance & Operation Instructions**  
**COMMANDER® TRANSFER VALVE**

**DESCRIPTION**

Speakman chrome plated COMMANDER® transfer valve. Metal lever handle. Brass escutcheon. ½" NPTF single inlet and outlets.

**SPECIFICATIONS**

SUPPLIES: ½" NPT FEMALE.  
SHIPPING WEIGHT: XXX LBS.

**INSTALLATION**

NOTE: Use pipe sealant on all pipe threads.

Per the rough-in, install inlet and outlet (2) piping to valve. Wrench tighten the pipe connections. Check all connections for leaks. After installing finished wall, slip flange onto collar and firmly hand tighten to valve. With spindle screwed all the way in, position handle vertically and fasten with screw. Push index button into place.

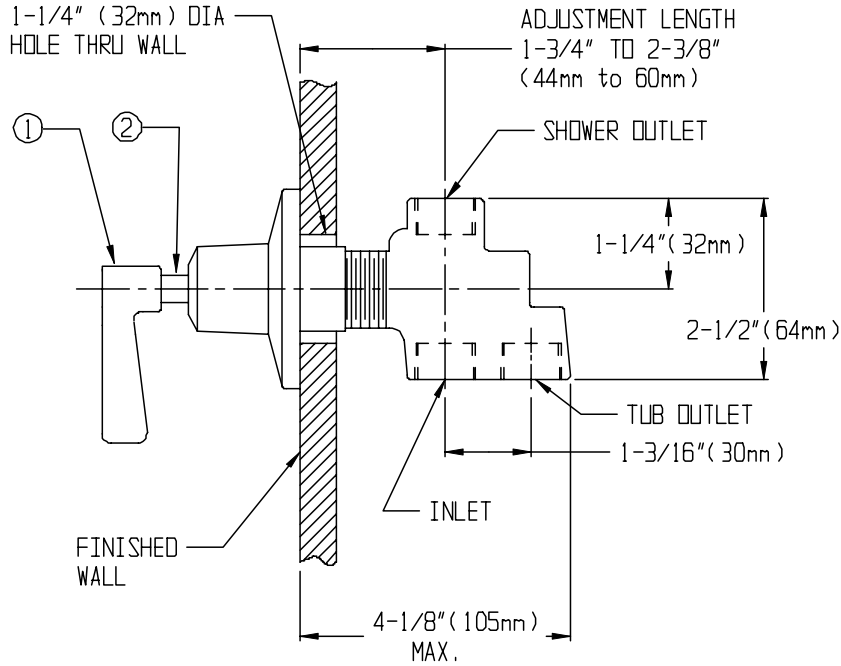
**OPERATION**

Simply rotate the handle clockwise for flow from shower outlet and counter-clockwise for flow from tub outlet of transfer valve.

**MAINTENANCE** (CARE and CLEANING)

The gleaming finish of your SPEAKMAN Commander® transfer valve can be cleaned by using a mild soap and warm water. Dry immediately with a soft, clean cloth for best results.

**ROUGH-IN MEASUREMENTS**



NOTES:

1. ALL DIMENSIONS ARE IN INCHES (MILLIMETERS) UNLESS OTHERWISE SPECIFIED AND ARE SUBJECT TO CHANGE WITHOUT NOTICE.
2. UNLESS OTHERWISE SPECIFIED ALL INLETS AND OUTLETS ARE 1/2" NPT FEMALE.

**REPAIR / REPLACEMENT PARTS**

<u>ITEM NUMBER</u>	<u>PART OR GROUP NUMBER</u>	<u>DESCRIPTION</u>
1	RPG04-0320-PC	LEVER HANDLE REPAIR GROUP W/ SCREW AND INDEXES
2	G03-0228-RCP	SPINDLE ASSEMBLY

**SPEAKMAN®**