

SPEAKMAN® S-2253

Classic Commercial Shower Head

FEATURES:

- 4 plungers, 32 sprays
- Spray adjusting T-handle
- 1/2 in. NPT inlet
- Chrome plated shank
- 2.5 gpm (9.5 L/min) flow rate

FINISH:



PC

OPTIONS:

 Add suffix to model #

- 1.5 gpm (5.7 L/min) flow rate -E15
- 1.75 gpm (6.6 L/min) flow rate -E175
- 2.0 gpm (7.6 L/min) flow rate -E2

COMPLIANCE:

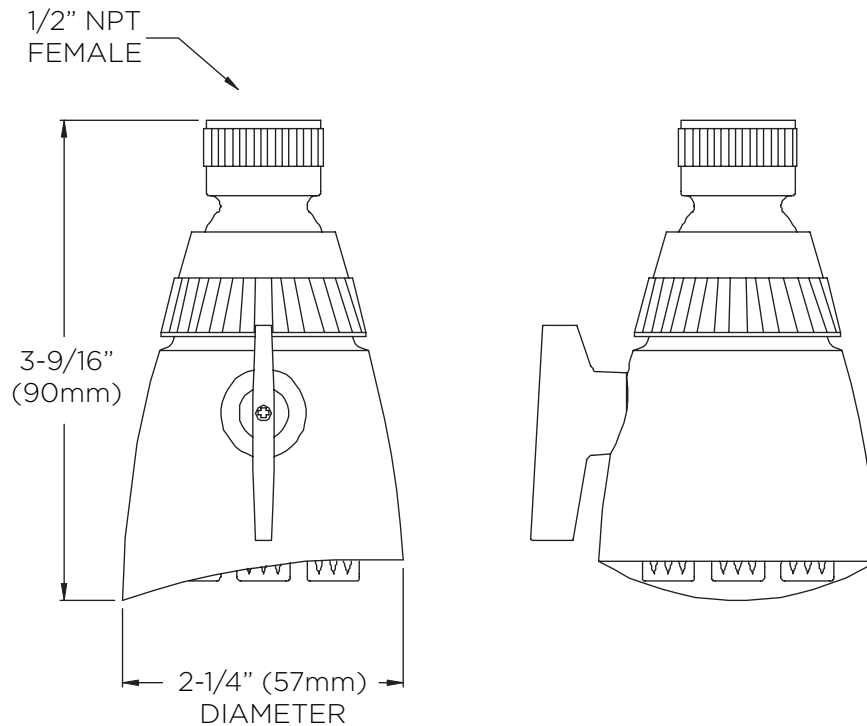
- ASME A112.18.1/CSA B125.1 compliant
- WaterSense certified (E2)



WARRANTY:

- Limited Lifetime Warranty (consumer use)
- 1 Year Limited (commercial use)

DIMENSIONS:

 NOTE: 1. All dimensions are in inches (millimeters) unless otherwise specified and are subject to change without notice.

Architect/Engineer Approval Space:

SPEAKMAN
400 ANCHOR MILL ROAD
NEW CASTLE, DE 19720

P: 800-537-2107
F: 800-977-2747
W: WWW.SPEAKMAN.COM
R: JUNE 2015