

Model
ST-2063-1.6

Rear Spud Wall Hung Vitreous China Water Closet

DESCRIPTION

Complete rear spud wall hung vitreous china fixture.

Flush Cycle

Model ST-2063-1.6 (1.6 gpf/6.0 Lpf)



SPECIFICATIONS

Water Closet

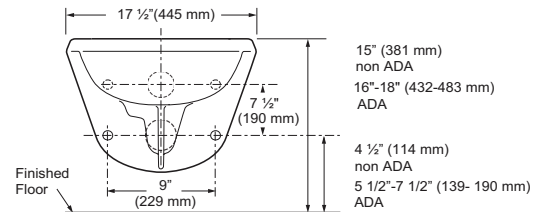
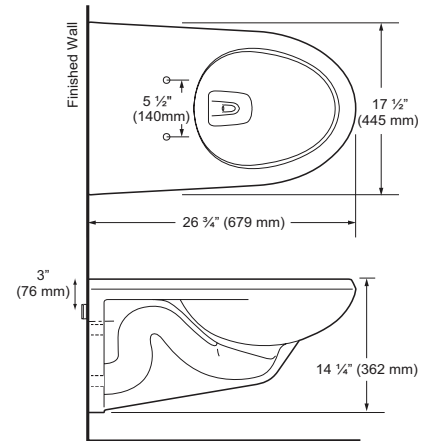
- Wall hung vitreous china elongated bowl
- Siphon jet flushing action
- 1 ½" rear spud inlet
- 2 ⅝" fully glazed trapway diameter
- Mounting hardware, carrier and toilet seat not included
- Integral flushing rim
- Water spot area 9 1/2" x 8 1/4"
- Water closet compliant to the applicable sections of ASME A112.19.2/CSA B45.1

Colors/Finishes

- White

Recommended Accessories

- Compatible with toilet seat models: Olsonite 10CT, Bemis 1955 CT & Church Commercial 295CT



Designed to meet ADA standards when bowl is 17" - 19" high including seat

Product Specification

Elongated water closet shall be made of vitreous china with a 1 ½" rear spud inlet. Bowl shall be ADA compliant when installed at required height of 17" to 19" from floor to top of fixture (including seat). Water closet shall be wall mounted with rear spud. Water Closet shall use 1.6 gpf / 6.0 Lpf. Water Closet shall be Sloan Model ST-2063-1.6.

Meets the American Disabilities Guidelines and ANSI A117.1 requirements when installed according to these requirements.



NOTE: Plumbing System Requirements

√ Minimum **Flowing** Pressure: 25 PSI

√ Minimum Flow Rate: 18 GPM



Listed by I.A.P.M.O.



This space for Architect/Engineer approval

Job Name	Date
Model Specified	Quantity
Variations Specified	
Customer/Wholesaler	
Contractor	
Architect	

SLOAN®

Sloan Valve Company
10500 Seymour Avenue
Franklin Park, IL 60131
Phone: 1-800-9-VALVE-9 (982-5839)
or 1-847-671-4300
Fax: 1-800-447-8329 or 1-847-671-4380
www.sloanvalve.com

Copyright © 2011 Sloan Valve Company
Rev. 0b (01/11)