

## MANUAL WALL-MOUNT HAND SANITIZER DISPENSER



The SJS-1400 manual hand sanitizer dispenser uses a bag-type refill that simplifies replacement and reduces waste.

This manual dispenser delivers a pre-measured amount of liquid sanitizer per application – giving approximately 1000 uses per refill. The sight glass indicates low sanitizer level.

- Pre-measured sanitizer per use
- Push-style dispensing mechanism
- Easy-to-replace refills, no contamination
- Attaches to any wall in minutes

**Product Number:** SJS-1400

**Product Code:** 7000008

**Color:** Chrome

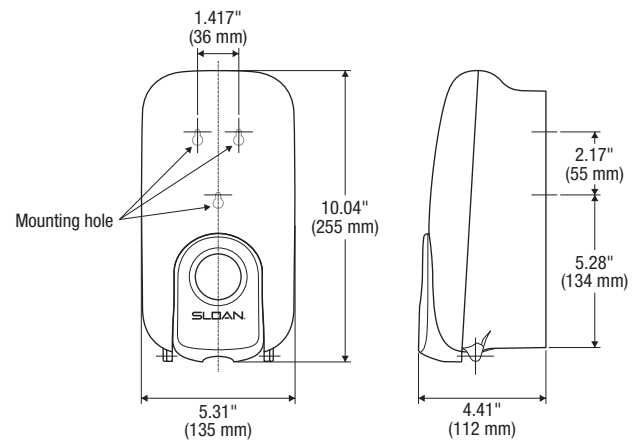
**Size:** W 5.31" x D 4.41" x H 10.04"  
(W 135 mm x D 112 mm x H 255 mm)

**Quantity/pack:** 1

**Quantity/case:** 6

**Refills:**

Product No.	Description	Order No.
SJS-1401	Manual Alcohol Mist Hand Sanitizer	0700600



The information contained in this document is subject to change without notice.

## SLOAN®

Sloan HEALTHMINDER™ Products and Service  
10500 Seymour Avenue  
Franklin Park, IL 60131-1259  
Phone: 877-652-6726  
Fax: 800-447-8329  
www.sloanvalve.com