



Slimline® Bedpan Washer Regal® Model BPW-1110 Flushometer

BPW-1110 and BPW-1110-1.6 Models

► Description

Slimline® Bedpan Washer Regal® Water Closet Flushometer for floor mounted or wall hung top spud bowls. Includes Elbow and Pipe Support for installation when replacing an existing Flushometer with a lower water supply rough-in height (pipe between Elbow and Angle Stop supplied by others). Installation meets ADA height requirements.

► Flush Cycle

- Regal® Model BPW-1110 Water Saver (3.5 gpf/13.2 Lpf)
- Regal® Model BPW-1110-1.6 Low Consumption (1.6 gpf/6.0 Lpf)

► Specifications

Quiet, Exposed, Diaphragm Type, Chrome Plated Closet Flushometer with the following features:

- Handle Packing, Stop Seat and Vacuum Breaker to be molded from PERMEX™ rubber compound for Chloramine resistance
- Metal Oscillating Non-Hold-Open Handle
- 1" I.P.S. Screwdriver Bak-Chek™ Angle Stop
- 1" I.P.S. Chrome Plated Elbow and Solid Ring Pipe Support
- Vandal Resistant Stop Cap
- Adjustable Tailpiece
- Spud Coupling and Flange for 1½" Top Spud
- Vacuum Breaker Flush Connection
- Low Consumption flush accuracy controlled by Para-Flo™ Inside Parts Kit

Bedpan Washer Diverter Assembly with the following features:

- Solid One-piece Body Construction
- Solid Brass Spray Arm
- Counter Balanced Pivot Assembly
- Diverter Valve Wall Support

Valve Body, Cover, Tailpiece and Control Stop shall be in conformance with ASTM Alloy Classification for Semi-Red Brass. Valve shall be in compliance to the applicable sections of ASSE 1037, ANSI/ASME 112.19.6, and Military Specification V-29193.

► Variations

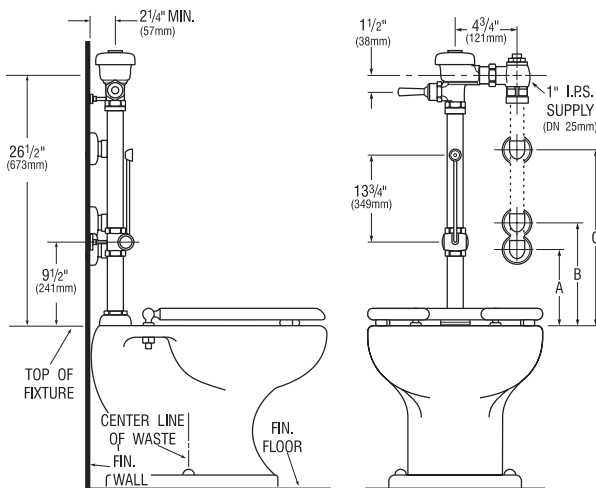
- ADA** ADA Compliant Handle
- BG** Bio-Gard™ Handle and Spray Arm
- YB** Sweat Solder Adapter
- YI** Two Wall Bumpers (for open front seat without cover)

REGAL XL

Flushometer includes ADA Compliant Handle, Vandal Resistant Stop Cap with Set Screw, and Sweat Solder Adapter with Cover Tube and Cast Set Screw Wall Flange.

See Accessories Section of the Sloan catalog for details on these and other Flushometer variations.

BPW-1110



BPW-1110	A	B	C
Rough-In Height	9 (229 mm)	11-1/2" (292 mm)	24" (610 mm)
Length of pipe required	14-3/4" (375 mm)	13-1/4" (337 mm)	3/4" (19 mm)

RETROFIT INSTALLATION
USE WHEN INSTALLING WITH EXISTING WATER SUPPLY ROUGH-IN



Made In The
USA

This space for Architect/Engineer approval

The information contained in this document is subject to change without notice.

SLOAN

Made in the U.S.A.

SLOAN VALVE COMPANY • 10500 SEYMOUR AVE. • FRANKLIN PARK, IL 60131
PHONE: 1-800-982-5839 • FAX: 1-800-447-8329 • <http://www.sloanvalve.com>