

Gem•2® Model Flushometer

180
180-1.5
180-1.0



► Description

Exposed, Urinal Flushometer, for 1¼" top spud urinals.

► Flush Cycle

- Model 180 (3.0 gpf/11.0 Lpf)
- Model 180-1.5 Water Saver (1.5 gpf/5.7 Lpf)
- Model 180-1.0 Low Consumption (1.0 gpf/3.8 Lpf)

► Specifications

Quiet, Exposed, Piston Type, Chrome Plated Urinal Flushometer with the following features:

- Fixed Volume Piston with Filtered O-Ring By-Pass
- ADA Compliant Metal Oscillating Handle
- 1" I.P.S. Screwdriver Bak-Chek™ Angle Stop
- Vandal Resistant Stop Cap
- Adjustable Tailpiece
- Vacuum Breaker Flush Connection
- Spud Coupling, Wall and Spud Flange for 1¼" Top Spud
- High Copper, Low Zinc Brass Castings for Dezincification Resistance
- Non-Hold-Open Handle and No External Volume Adjustment to Ensure Water Conservation
- Handle Packing, Stop Seat and Vacuum Breaker to be Molded from PERMEX™ Rubber Compound for Chloramine Resistance

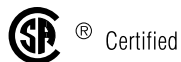
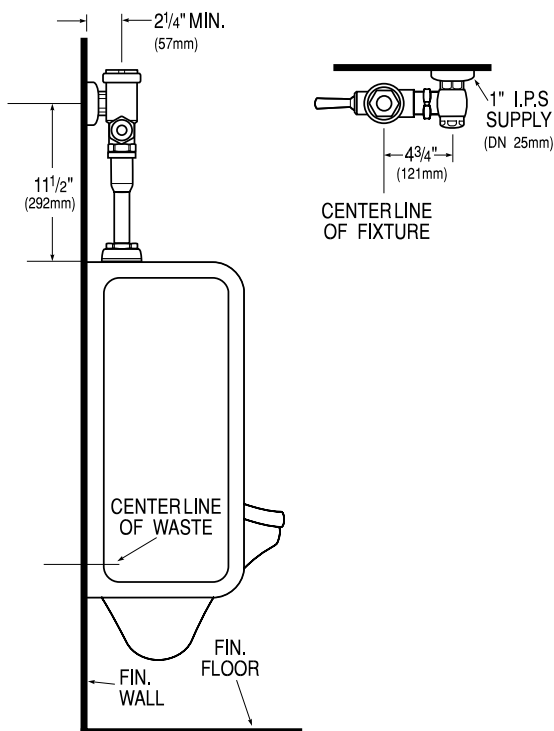
Valve Body, Cover, Tailpiece and Control Stop shall be in conformance with ASTM Alloy Classification for Semi-Red Brass. Valve shall be in compliance to the applicable sections of ASSE 1037, ANSI/ASME 112.19.6, and Military Specification V-29193.

► Variations

- T** 1½" Flush Connection and Spud Coupling
- XYV** Less Vacuum Breaker
- YB** Sweat Solder Adapter Kit
- YBYC** Sweat Solder Adapter & Cast Set Screw Wall Flange

Note: Bak-Chek™ Angle Stop available with 1" Whitworth Thread (please specify).

See Accessories Section of the Sloan catalog for details on these and other Flushometer variations.



This space for Architect/Engineer approval

The information contained in this document is subject to change without notice.

SLOAN

Made in the U.S.A.

SLOAN VALVE COMPANY • 10500 SEYMOUR AVE. • FRANKLIN PARK, IL. 60131
Ph: 1-800-9-VALVE-9 or 1-847-671-4300 • Fax: 1-800-447-8329 or 1-847-671-4380
<http://www.sloanvalve.com>