



Gem•2® Model Flushometer

120 120-1.6

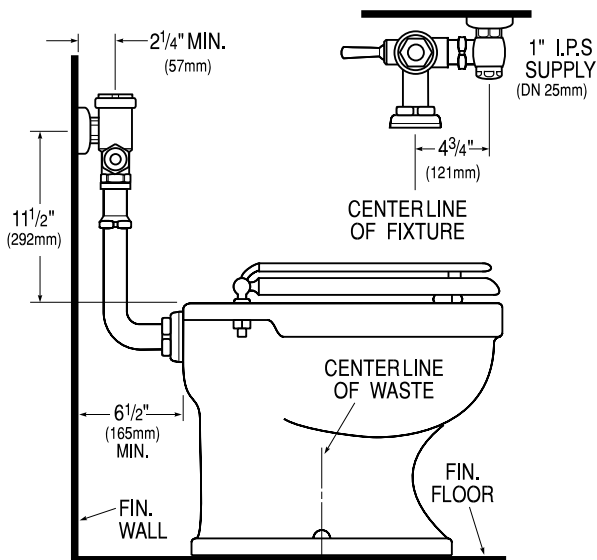
- ▶ **Description**
Exposed, Water Closet Flushometer, for floor mounted back spud bowls.
- ▶ **Flush Cycle**
 - Model 120 Water Saver (3.5 gpf/13.2 Lpf)
 - Model 120-1.6 Low Consumption (1.6 gpf/6.0 Lpf)
- ▶ **Specifications**
Quiet, Exposed, Piston Type, Chrome Plated Closet Flushometer with the following features:
 - Fixed Volume Piston with Filtered O-Ring By-Pass
 - ADA Compliant Metal Oscillating Handle
 - 1" I.P.S. Screwdriver Bak-Chek™ Angle Stop
 - Vandal Resistant Stop Cap
 - Adjustable Tailpiece
 - Vacuum Breaker Flush Connection
 - Spud Coupling, Wall and Spud Flange for 1½" Exposed Back Spud
 - High Copper, Low Zinc Brass Castings for Dezincification Resistance
 - Non-Hold-Open Handle and No External Volume Adjustment to Ensure Water Conservation
 - Handle Packing, Stop Seat and Vacuum Breaker to be Molded from PERMEX™ Rubber Compound for Chloramine Resistance

Valve Body, Cover, Tailpiece and Control Stop shall be in conformance with ASTM Alloy Classification for Semi-Red Brass. Valve shall be in compliance to the applicable sections of ASSE 1037, ANSI/ASME 112.19.6, and Military Specification V-29193.

- ▶ **Variations**
 - U** 1¼" Flush Connection and Spud Coupling
 - XYV** Less Vacuum Breaker
 - YB** Sweat Solder Adapter Kit
 - YBYC** Sweat Solder Adapter & Cast Set Screw Wall Flange
 - YG** Extended Bumper on Angle Stop (for seat with cover)
 - YJ** Split Ring Pipe Support
 - YK** Solid Ring Pipe Support
 - YO** Bumper on Angle Stop

Note: Bak-Chek™ Angle Stop available with 1" Whitworth Thread (please specify).

See Accessories Section of the Sloan catalog for details on these and other Flushometer variations.



 Certified   Listed by I.A.P.M.O.

This space for Architect/Engineer approval

The information contained in this document is subject to change without notice.

SLOAN® Made in the U.S.A.
SLOAN VALVE COMPANY • 10500 SEYMOUR AVE. • FRANKLIN PARK, IL. 60131
Ph: 1-800-9-VALVE-9 or 1-847-671-4300 • Fax: 1-800-447-8329 or 1-847-671-4380
<http://www.sloanvalve.com>