

Act-O-Matic Shower Head AC-450



Description

Act-O-Matic, Chrome Plated, Self-Cleaning, Institutional Style Shower Head.

Flow Rate

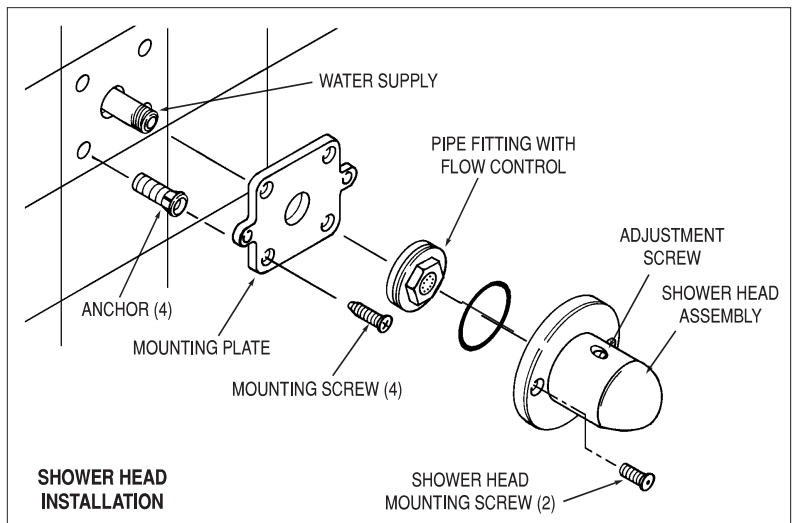
□ 2.5 gpm/9.4 Lpm maximum

Specifications

Act-O-Matic, Chrome Plated Shower Head with the following features:

- Spring loaded, Self-Cleaning Spray Disk to prevent particle clogging
- "Cone-within-a-cone" Spray Pattern for total body coverage
- Adjustable Spray Angle
- Pressure Compensating 2.5 gpm/9.4 Lpm Flow Control
- All Brass Construction
- Mounting Plate with Vandal Resistant Mounting Screws
- 1/2" I.P.S. Inlet

Shower Head shall be in conformance to all requirements of ANSI/ASME Standard A112.18.1M, CSA B-125 and the United States Federal Energy Policy Act.



SHOWER HEAD INSTALLATION

See Accessories Section of the Sloan catalog for details on these and other Shower Head variations.



This space for Architect/Engineer approval

The information contained in this document is subject to change without notice.

SLOAN

Made in the U.S.A.

SLOAN VALVE COMPANY • 10500 SEYMOUR AVE. • FRANKLIN PARK, IL 60131
PHONE: 1-800 982-5839 • FAX: 1-800 447-8329 • <http://www.sloanvalve.com>

