

ROHL

Authentic Luxury for Kitchen and Bath®

www.rohlhome.com



Floor Pillar Legs

ROHL Cisal Bath
ROHL Country Bath Collection
ROHL Modern Collection

ZA383

FEATURES

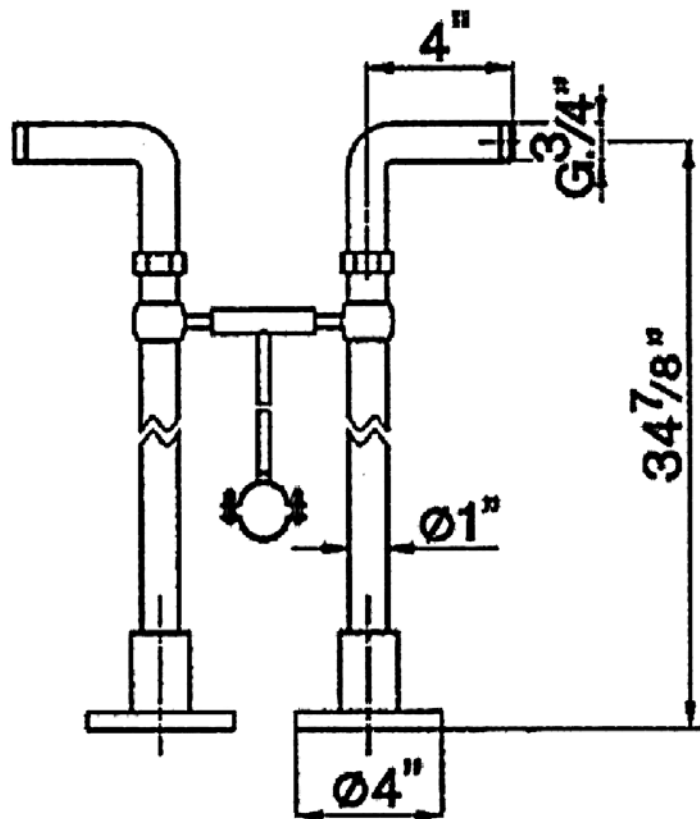
- For floor applications
- 34 7/8" height
- For exposed tub fillers
- Not eccentric - fixed center to center measurement
- Cannot be cut down
- 1/2" female inlet connection
- Maximum male stud out 9/16"
- Spout outlet height 30 1/2" when used with A1401, A2101, A1701, or A2701
- Spout outlet height 30 5/16" when used with A1901
- Spout outlet height 30 3/8" when used with AC7X
- Spout outlet height 32 1/4" when used with BA7
- **Must order C5574EXT adaptor when used with A1401, A1701, A1901, A2701, A1701, or A2101**

COLORS/FINISHES

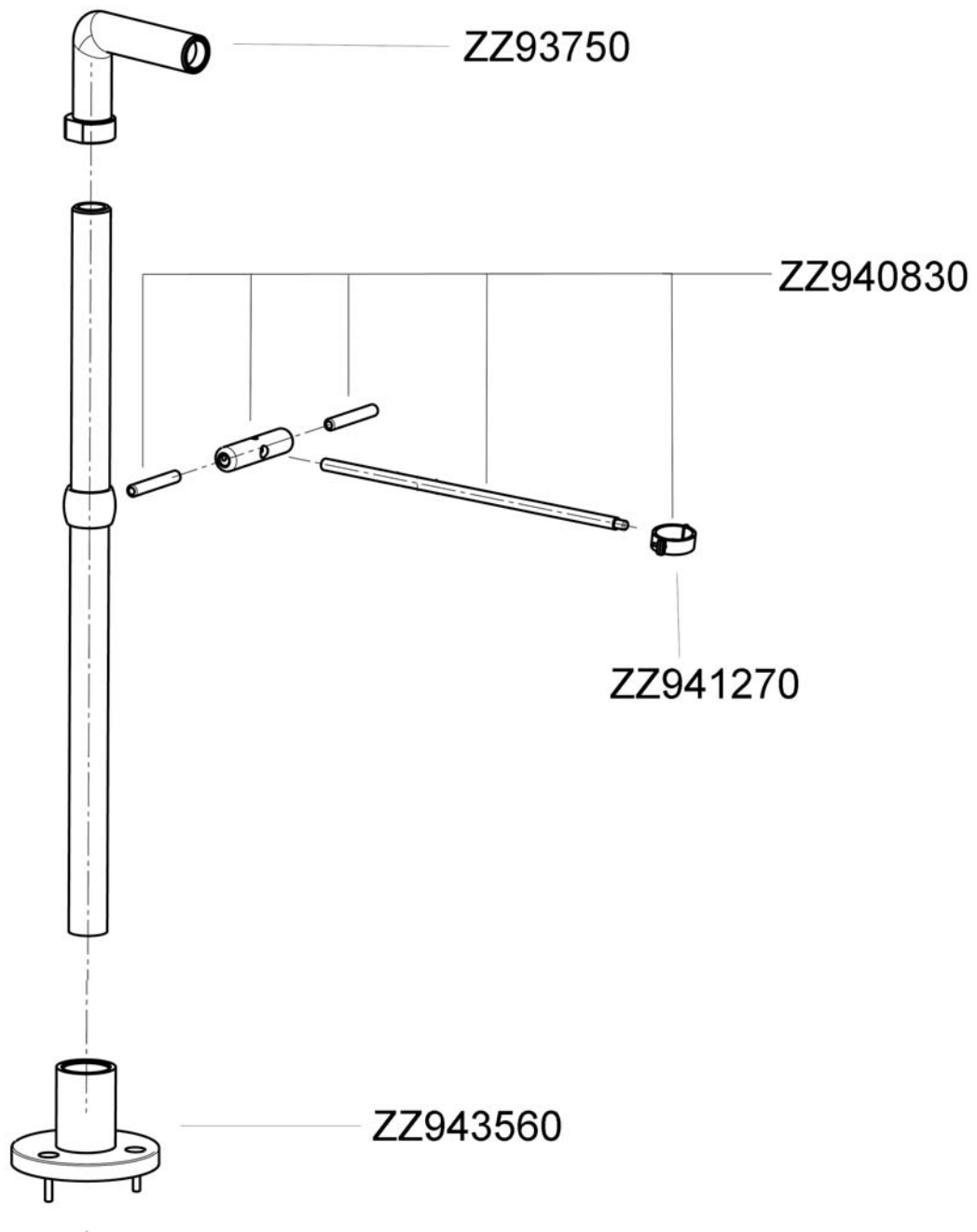
- Polished Chrome
- Polished Nickel
- Satin Nickel
- Tuscan Brass
- Inca Brass
- Old Iron

WARRANTY

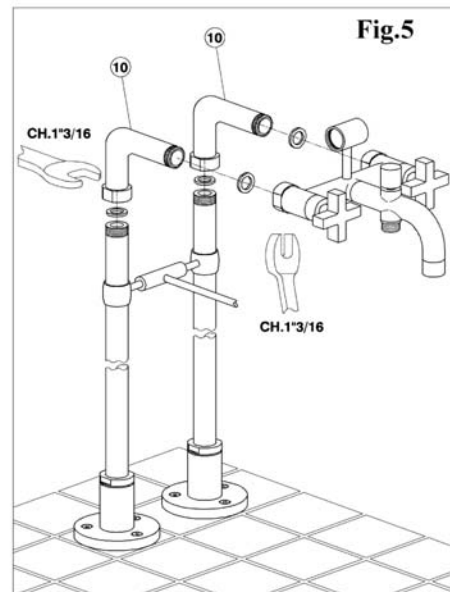
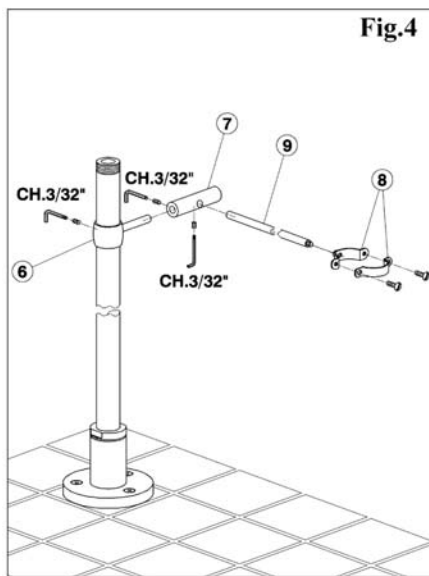
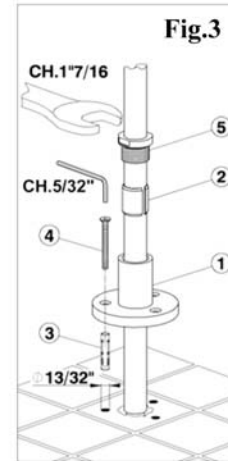
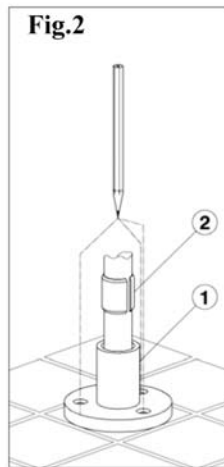
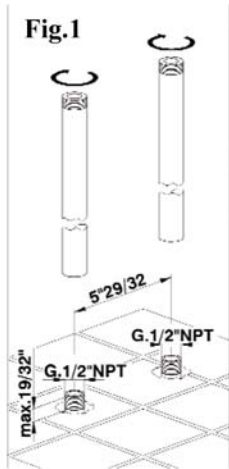
- Limited Lifetime*
- * No Warranty on Tuscan Brass Finish (TCB)



ZA383 Spare Parts



ZA383 Installation Instructions



Screw the floor pillar legs to the inlet water connections: make sure that these are G. 1/2" male threaded and keep them at a range of 5"29/32 (see fig.1).

Put the base (1) on the leg and the cut bushing (2) inside the base; mark the holes position (see fig.2).

Make a hole using a Ø13/32 drill, put the dowels (3) and fix the base (1) to the floor by means of the appropriate screws (4) using a 5/32" wrench (see fig.3).

Insert the cut bushing (2) and the threaded ring (5) tighten it with a 1"7/16 wrench (see fig.3).

Insert the cut bushing shafts (6) in the drilled sleeve (7) and assemble everything on the pillar legs (see fig.4).

Screw the clamp (8) to the rod (9) and put this last one in to middle sleeve (7) (see fig.4).

Use the clamp to anchor the frame to the overflow pipe of the bath drain (two clamps are supplied in different sizes to match the pipe diameter).

Once found the ideal position for fixing, tightly screw all dowels with a 3/32" wrench (see fig.4).

Screw the little curves (10) on the legs with a 1"3/16 wrench (see fig.5).

Assemble the bath mixer on the legs screwing the caps with a 1"3/16. wrench (see fig.5).