



## PRESSURE BALANCE ROUGH WITHOUT DIVERTER

ROHL Shower

### R2012D

#### FEATURES

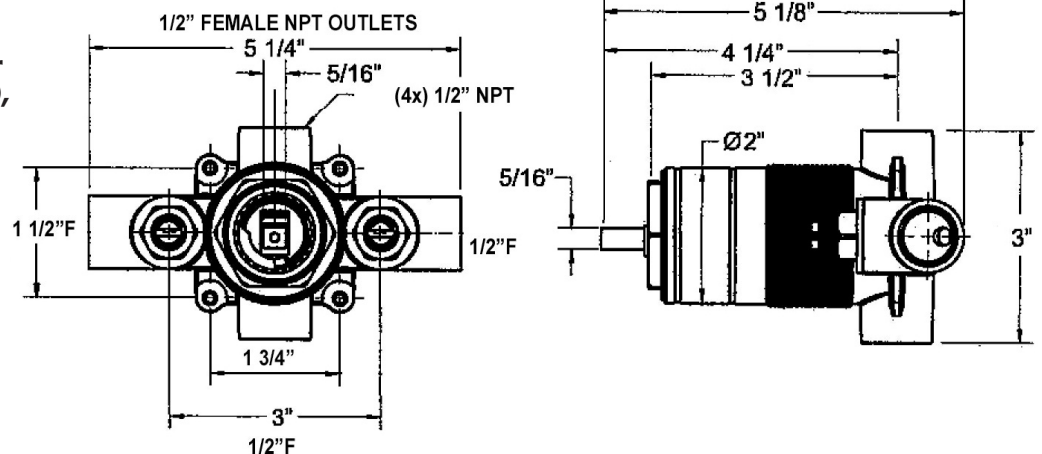
- 5 GPM @ 60 PSI
- Unique volume control with pressure balance
- Integrated stops
- Min. install depth: 2" from the back of the valve
- Max. install depth: 3" from the back of the valve
- If PEX is utilized, oversize the supply line to 3/4" for full flow capacity
- Install any tub spout 18" min. from the diverter or valve outlet
- If using R2012D with a wall mounted tub spout with integrated diverter such as RT8000 diverter tub spout, a twin ell will be needed by the installer. The top outlet will be plugged.
- **To complete package order MB1938, A6400, ARB6400, A6200, AC600, BA600, WA600, U.6000 or U.6700 trim**

#### COLORS/FINISHES

- Rough Only

#### WARRANTY

- Limited Lifetime



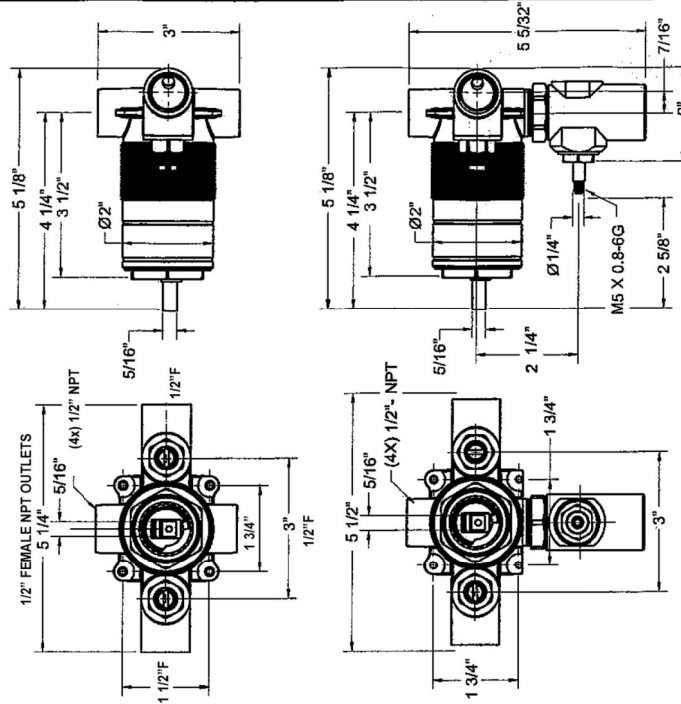
## R2012D Instructions Page 1

# ROHL®

## R2012D R2014D

Pressure Balance Rough With Integrated  
Volume Control with/without Diverter

### INSTALLATION INSTRUCTIONS



3 Parker, Irvine, CA 92618  
Phone: 714 557 1933  
Fax: 714 557 8635  
Website: www.rohlhome.com

### GUARANTEE TO THE CONSUMER

#### WARRANTY

ROHLLLC warrants this product to be free from defects in materials or workmanship for as long as the original consumer purchaser owns their home.

ROHLLLC will provide free of charge, at its option, replacement part(s) or product (or a comparable alternative product) to replace those which have proven defective in materials or workmanship. We will not assume liability for labor expended or damages accruing from the use of material purchased from us. If material is defective, the limit of damage is the price of the defective material.

Proof of purchase (original sales receipt) from the original consumer purchaser must be made available to ROHLLLC for all warranty claims. The warranty is not transferable and is extended solely to the original purchaser of the product.

#### WARRANTY EXCLUSION

This warranty is for normal domestic use only and excludes defect or injury caused by or resulting from misuse, abuse or neglect, accidental damage or improper installation. The lifetime limited warranty does not apply to replacement of components where damage is caused by normal wear and tear.

#### WARRANTY WILL BE INVALID IF:

- The product has not been correctly installed (whether by a plumber, contractor, service provider or member of the purchaser's household) in accordance with the manufacturer's instructions.
- The surface finish of the product has been damaged by use of unsuitable cleaning agents or improper materials, i.e. damage by agents containing acidic, corrosive, abrasive or alcohol-based substances or through scouring the surface by abrasive cloths.
- Damage has occurred to component parts due to foreign materials in the water supply (e.g. stones, metal shavings). All water lines must be flushed clear of all debris prior to installing the product. It is strongly recommended that in areas where foreign materials may be present in the water supply, an inline filter be fitted on both the Hot and Cold inlets. This will ensure your warranty remains valid.
- The product has been exposed to excessive high water temperature (above 80° Celsius or 175° Fahrenheit).

#### PARTS ONLY WARRANTY

This warranty does not cover labor charges incurred and / or damage sustained in installation, repair or replacement, nor incidental or consequential damages.

## R2012D Instructions Page 2

### GENERAL NOTES:

1. The R2012D non-diverter model and R2014D diverter models are rough units only. Purchase the correct trim set to complete the package.
2. Do not disassemble the valve. It has been tested at the factory and does not leak.
3. **THERE IS NO EXTENSION KIT. DO NOT INSTALL THE VALVE DEEPER THAN THE MAXIMUM DEPTH LINE.**
4. Remove the mud guard from to install the trim kit.

### FITTING INSTRUCTIONS:

- \*Flush out all pipework to remove any foreign material and/or debris. The **HOT SUPPLY** should be fitted on the left when viewed from the front of the fitting.
- \* **DO NOT TURN MIXER OVER, AS THIS WILL REVERSE OPERATION. There is not a reverse cartridge.**

Note: Access hole required for mixer in wall lining is 4 1/2" min. to 5 1/2" max. Plastic cover does not need to be removed to connect the water supply or outlet pipe with the mixer.

### THE RECOMMENDED PIPE CONNECTION IS A THREADED PIPE FITTING WITH TEFLON TAPE. DO NOT DISASSEMBLE THE VALVE TO SWEAT CONNECTIONS OR REMOVE PRESSURE BALANCE CONTROLS.

1. Fit mixer to mounting board, using screws (not provided).
  2. Connect **HOT** (left) and **COLD** (right) water supply to mixer. **DO NOT HEAT THE VALVE.**
- Note: The **off** position is horizontal. Tip the stem up for on. Turn stem from 6 o'clock to 5 o'clock for cold. Turn stem from 6 o'clock to 7 o'clock for hot.
3. Connect top outlet to the shower.
  4. Pressure test by plugging outlet pipes. Remove plastic cover; turn on mixer and water supply.

### R2014D INSTALLATION FOR HAND SHOWER:

For hand spray and showerhead connection, use the bottom outlet for the hand shower; the outlet should be positioned level to the valve body.

### R2012D BOTTOM OUTLET:

If the bottom outlet is not used, plug outlet with a 1/2"NPT fitting. Not included.

### SHUTOFF STOPS:

Upon receipt of the rough the shutoff stops are in the open position. To close the stops, turn the slotted screw clockwise.

### CARE AND MAINTENANCE:

WE RECOMMEND OCCASIONAL CLEANING WITH WARM SOAPY WATER FOLLOWED BY POLISHING WITH A SOFT CLOTH TO KEEP THE PLATED FINISH IN GOOD CONDITION. DO NOT USE ABRASIVE LIQUIDS, POWDERS, OR PADS TO CLEAN THE PRODUCT. YOU WILL DAMAGE THE FINISH AND VOID THE WARRANTY.

### SPECIFICATIONS DETAILS:

- 5-6 GPM @ 60 PSI
- Unique volume control with pressure balance
- Integrated stops
- Min. install depth: 2"
- Max. install depth: 3"
- If PEX is utilized, oversize the supply line to 3/4" for full flow capacity
- Install any tub spout 18" min. from the diverter or valve outlet
- If using R2012D with a wall mounted tub spout with integrated diverter such as RT8000 diverter tub spout, a twin ell will be needed by the installer. The top outlet will be plugged.

ITEM NO.	PART NO.	DESCRIPTION	QTY.
1	1-111	DIVERTER ONLY, PRESSURE BALANCE VALVE	1
2		SLEEVE, CARTRIDGE PRESSURE BALANCE	1
3		NUT, PRESSURE BALANCE VALVE	1
4	10715	CARTRIDGE, PRESSURE BALANCE 40MM	1
5a		BODY, PRESSURE BALANCE FOUR X 1/2"NPT	1
5b		BODY, PRESSURE BALANCE FOR DIVERTER	1
6		CARTRIDGE BASE EXTENSION FOR HK-40	1
7		SHUTOFF VALVE, PRESSURE BALANCE	2
8		O-RING, 1-3/4"ID X 1-7/8"OD X 1/16"THK, AS-66B-031	2
9	R945440	FACEPLATE NUT, PRESSURE BALANCE	1

