



WALL MOUNTED GOTHAM SPOUT LAVATORY FAUCET

Michael Berman Bath Collection

MB1930LM-2 (Metal Levers)

MB1930XM-2 (Cross Handles)

FEATURES

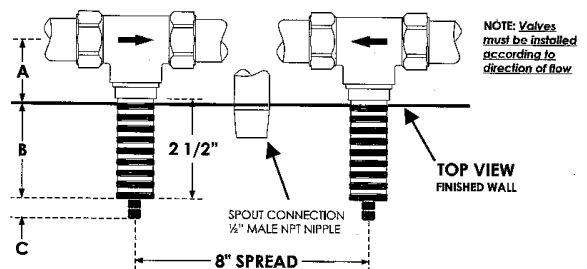
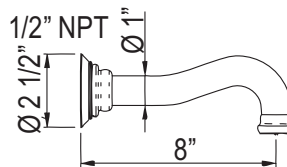
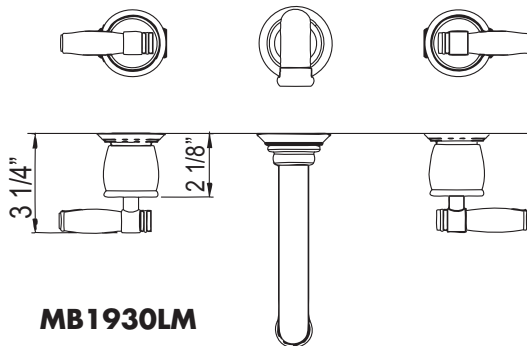
- 1/2" female NPT wall valves
- 1/2" male NPT spout connection
- 8" spout reach
- 1/4-turn ceramic disc valves
- 3 x 1 3/8" hole cutouts
- MB1946 remote pop-up waste available separately
- 1.5 GPM aerator
- Extension kits provided

COLORS/FINISHES

- Polished Chrome
- Polished Nickel
- Satin Nickel
- Tuscan Brass

WARRANTY

- Limited Lifetime*
- * No Warranty on Tuscan Brass Finish (TCB)



REQUIRED MEASUREMENTS

- A** = 5/8" MIN. - 1 1/8" MAX.
- B** = ~2" (MUST LEAVE MIN. 1 7/8" EXPOSED OR TRIM WILL NOT FIT)
- C** = ~1/2"

Installation Instructions

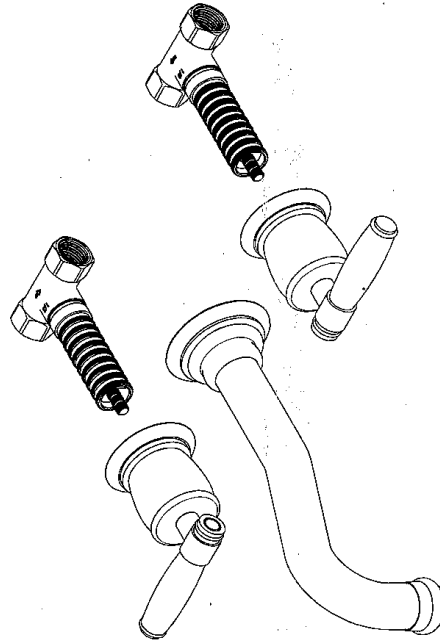
ROHL

MB1930LM

MB1936LM

Wall Mounted Lav & Tub Filler
Michael Berman Gotham Spout

INSTALLATION INSTRUCTIONS



ROHL WARRANTY POLICY

- ROHL PRODUCTS ALL CARRY WARRANTIES AGAINST MANUFACTURING DEFECTS.
- THE MB1936LM VALVES CARRY A LIMITED LIFETIME WARRANTY.
- ROHL LLC WILL PROVIDE FREE OF CHARGE, AT ITS OPTIONS, REPLACEMENT PART(S) OR PRODUCT (OR A COMPARABLE ALTERNATIVE PRODUCT) TO REPLACE THOSE WHICH HAVE PROVEN DEFECTIVE IN MATERIALS OR WORKMANSHIP.

SPARE PARTS AND SERVICE:

ROHL
3 PARKER
IRVINE, CA 92618
P (714) 557-1933
F (714) 557-8635
WWW.ROHLHOME.COM

Installation Instructions

TOP VIEW FINISHED WALL

MAIN WATER SUPPLY IN 1/2" FEMALE NPT

PLUMBER TO PROVIDE NIPPLES, TEES, & ELBOWS TO WIDTH

SPROUT CONNECTION 1/2" FEMALE NPT

INSTALL TRIM UP TO FINISHED WALL

SPROUT REACH

MB1930LM (LAV) = 8"
MB1936LM (TUB) = 9"

BEFORE USE:

- CAREFULLY CHECK THE INSTALLATION FOR LEAKS.
- IF FURTHER WORK IS GOING TO BE DONE IN THE VICINITY OF THE VALVE AND TRIM, COVER THE INSTALLATION WITH A PLASTIC BAG TO HELP AVOID DAMAGE TO THE FINISH.

CARE AND MAINTENANCE:

- RECOMMEND OCCASIONAL CLEANING WITH WARM SOAPY WATER FOLLOWED BY POLISHING WITH A SOFT CLOTH TO KEEP THE PLATED FINISH IN GOOD CONDITION.
- DO NOT USE ABRASIVE LIQUIDS, POWDERS, OR PADS TO CLEAN THE PRODUCT. YOU WILL DAMAGE THE FINISH AND VOID THE WARRANTY.

SPECIFICATIONS

TEMPERATURE RANGE:

- MINIMUM 34°F
- MAXIMUM 185°F

RECOMMENDED OPERATING PRESSURE:

- MINIMUM 15 PSI
- MAXIMUM 75 PSI

INSTALLATION NOTES

- MUST HAVE BOTH ROUGH AND TRIM TO COMPLETE THE INSTALLATION.
- FLUSH THE PLUMBING SYSTEM BEFORE INSTALLING THIS PRODUCT.
- MUST FOLLOW DIMENSIONS SUPPLIED FOR INSTALLATION AND MAKE SURE ALLOWANCE IS MADE FOR FINISHED WALL MATERIAL SUCH AS TILE, ETC.
- MUST INSURE THE HANDLES ARE HORIZONTAL WHEN THE VALVES ARE IN THE "OFF" POSITION.

IMPORTANT: WE RECOMMEND THE USE OF A LICENSED PLUMBER TO INSTALL THIS PRODUCT. PLEASE READ AND UNDERSTAND THE PROVIDED INSTALLATION INFORMATION BEFORE PROCEEDING.

REQUIRED MEASUREMENTS

A = 5/8" MIN. - 1 1/8" MAX.
B = ~2" (MUST LEAVE MIN. 1 7/8" EXPOSED OR TRIM WILL NOT FIT)
C = ~1 1/2"

NOTE: Valves must be installed according to direction of flow.

TOP VIEW FINISHED WALL

SPROUT CONNECTION 1/2" MALE NPT NIPPLE

8" SPREAD

2 1/2"