



Trim for Pressure Balance Concealed Bath or Shower Mixer without Diverter

ROHL Cisal Bath

AC100X - (Cross Handle)

AC100L - (Ornate Metal Lever)

AC100LM - (Classic Metal Lever)

AC100LP - (White Resin Lever)

FEATURES

- Pressure balance concealed bath or shower mixer trim
- Coverplate, dome, and handle made from solid brass
- **Must order RMV-1 rough to complete**

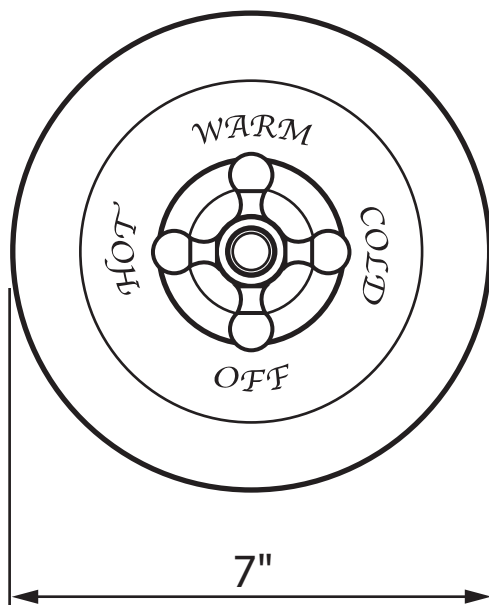
FINISHES

- Polished Chrome
- Polished Nickel
- Satin Nickel
- Tuscan Brass
- Inca Brass

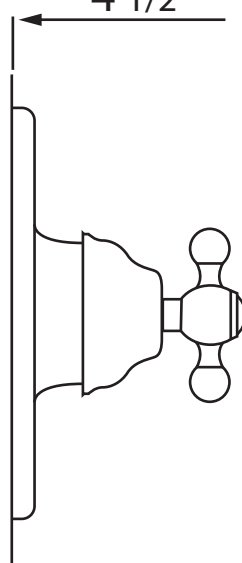
WARRANTY

- Limited Lifetime
- * No Warranty on Tuscan Brass Finish (TCB)

AC100X



4 1/2"



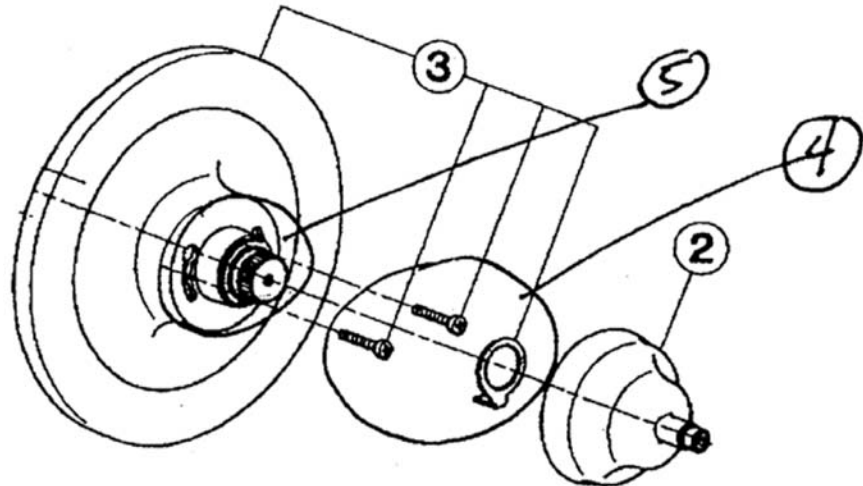
AC100L



AC100LM & AC100LP



AC100 Spare Parts



MOUNTING SCREWS
IN KIT 2303-1210

THERE ARE 2 PLASTIC PARTS
FOR THE TRIM AND ROUGH:
DRIVER 3103-1232

ATTACHED TO THE STEM ON THE ROUGH
INTERMEDIATE HANDLE ASSEMBLY 2303-0347
ASSEMBLED ON THE OUTSIDE OF THE TRIM PLATE

Parts List

2	Cover with spindle	ZZ931640
3	Escutcheon	ZZ931630
4	Hot Limit Stop	2103-1210
5	Intermediate Handle Assembly	2303-0347

Lever Options (not pictured)

- AC100L - (Ornate Metal Lever) - ZZ922810
- AC100LM - (Classic Metal Lever) - ZZ950940
- AC100LP - (White Resin Lever) - ZZ931580
- AC100X - (Cross Handle) - ZZ934160