



LED **6" Open Trim** **Recessed**  
 New Construction and Remodel  
 Everlume Type \_\_\_\_\_

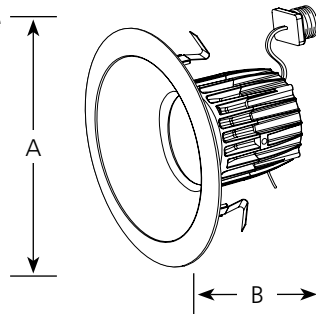
	-20*	-20/35K*	-28	-28/35K	-31*	-31/35K*	-36*	-36/35K*	-121*	-121/35K*
P8071	<input type="checkbox"/>	<input type="checkbox"/>	<input type="checkbox"/>	<input type="checkbox"/>	<input type="checkbox"/>	<input type="checkbox"/>	<input type="checkbox"/>	<input type="checkbox"/>	<input type="checkbox"/>	<input type="checkbox"/>

Catalog No	Finish					LED Color Temp	Dimensions (Inches)	
	Antique Bronze	White	Black	Chestnut	Metallic Silver		A	B
P8071	-20*	-28	-31*	-36*	-121*	2700K	7-3/4	4-7/8
P8071	-20/35K*	-28/35K	-31/35K*	-36/35K*	-121/35K*	3500K	7-3/4	4-7/8

\* Make to order only

Lamp Wattage Housing	IC	Non-IC
P87-AT	12w	12w
P187-TG	12w	12w
P86-TG	12w	12w
P186-TG	12w	12w
P821-FB	NA	12w
Competitive Housings*	12w	12w

\*See Trim Compatibility Guide



**Specifications:**

Trim Assembly

- Die cast heat sink to provide optimal thermal management of the LED board and maximize life expectancy and lumen output
- Die cast active upper cone to optically control LED beam spread
- Die cast passive lower cone with integral flange provides excellent glare control and optical cutoff
- Powder coated lower cone. -31 and -121 finishes include white painted trim flange
- Frosted polycarbonate lens controls direct glare from the LEDs
- Easy installation with (3) friction spring clips and universal screw shell lamp adapter accommodates compatibility with many competitive recessed housings
- No light leaks around trim flange
- In addition to the Progress P87-AT, P187-TG, P86-TG, P186-TG, P821-FB, the P8071 is also UL classified for use with 6" housings made by Capri, Commercial Electric, Halo, Intense, Juno, Lithonia, Nora and WAC. See Everlume trim compatibility guide for a complete list of classified housings.

Lamping

- 9 LED (Light Emitting Diode) lamps included
- 12-watt input power
- Lumen output: 584 lumens (3500K), 502 lumens (2700K) for -28 finish. Absolute photometry conducted per LM-79 for solid state luminaires
- Lumen output and distribution comparable to a 65w BR30 incandescent lamp
- CRI is 73
- 50,000 hours life based on 70% lumen maintenance
- Lamp contains no mercury, meets Calif. Title 22

Electrical

- Built in electronic class II driver
- Edison base on trim attaches easily to housing socket
- Dimmable to 20% using most 3-wire low voltage electronic switches, on 2-wire circuits
- 120VAC input, 50/60Hz

Labels

- cULus classified for wet locations

**EVERLUME™**  
LED LIGHTING

Progress Lighting  
 701 Millennium Blvd.  
 Greenville, South Carolina  
 29607

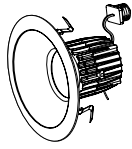

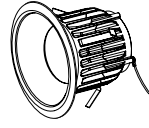
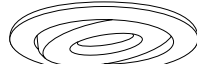
www.progresslighting.com

Rev. 5/09



## EVERLUME TRIM COMPATIBILITY GUIDE

Everlume Retro-Fit Trims are UL Classified for Use with the Following Recessed Housings:

					
		P8071-28 / P8071-28/35K	P8070-30 / P8070-30/35K	P8026-28 / P8026-28/35K	P8027-30 / P8027-30/35K
Manufacturer	Part Number				
CAPRI	CR1	X	X		
	CRR1	X	X		
	RR4			X	X
	TRR4			X	X
	DY4102			X	X
COMMERCIAL ELECTRIC	C71CA(H3)	X	X		
	HBR200B(H9)			X	X
	HBR200R(H10)			X	X
ELCO	EL7RICA	X	X		
	EL7ICA	X	X		
	EL7ICAT		X		
	EL99ICA			X	X
	EL99R			X	X
EMERALD	P1-ICTN	X	X		
HALO	H7ICAT	X	X		
	H7RICAT	X	X		
	H99ICT			X	X
	H99T			X	X
	H99RT			X	X
INTENSE	I6AIC	X	X		
	I6RAIC	X	X		
	I4AIC			X	X
JIMWAY	C7ICR(H2)	X	X		
JUNO	IC22	X	X		
	IC1				X
	TC1			X	X
	TC1R				X
LITHONIA	L7X	X	X		
	LI6	X			
	LI3			X	
	L3R			X	
LUMAPRO	5TP95	X	X		
LUMINAIRE	LUICT-00	X	X		
NORA	NHIC-17QAT	X	X		
	NHRIC-17QNBAT	X	X		
	NSIC-401AT			X	X
	NSIC-401QAT			X	X
	NS-401Q			X	X
	NSR-404Q			X	X
PROGRESS	NSR-404QAT			X	X
	P187-TG	X	X		
	P87-AT	X	X		
	P186-TG	X			
	P86-TG	X			
	P821-FB	X			
	P831-AT			X	X
P832-TG			X	X	
SEA GULL	P830-TG			X	X
	1128	X	X		
WAC	R6VI-ICA	X	X		
	R6VI-R-ICA	X	X		

### Everlume Compatible Dimmer Controls

- Everlume LED products are compatible with most 3-wire low voltage dimmer switches.
- The following low voltage dimmers are recommended for use with Everlume LED products:
  - Lutron Diva - DVE-LV300P
  - Lutron Maestro - MAELV-600
  - Smarthome - Insteon Switchlink v2 2476D
- Control systems must be capable of accommodating low voltage electronic power supplies, and connection of the supply neutral. Recommend setting as an incandescent load



LED

**6" Open Trim**  
California T24 Compliant

**Recessed**

**Everlume**

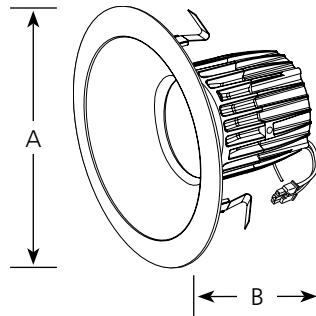
Type \_\_\_\_\_

	-20QL/27K*	-28QL/27K	-31QL/27K*	-36QL/27K*	-121QL/27K*
P8071	<input type="checkbox"/>	<input type="checkbox"/>	<input type="checkbox"/>	<input type="checkbox"/>	<input type="checkbox"/>
	-20QL/35K*	-28QL/35K	-31QL/35K*	-36QL/35K*	-121QL/35K*
P8071	<input type="checkbox"/>	<input type="checkbox"/>	<input type="checkbox"/>	<input type="checkbox"/>	<input type="checkbox"/>

**Finish**

Catalog No	Antique Bronze	White	Black	Chestnut	Metallic Silver	LED Color Temp	Dimensions (Inches)	
							A	B
P8071	-20QL/27K*	-28QL/27K	-31QL/27K*	-36QL/27K*	-121QL/27K*	2700K	7-3/4	4-7/8
P8071	-20QL/35K*	-28QL/35K	-31QL/35K*	-36QL/35K*	-121QL/35K*	3500K	7-3/4	4-7/8

Lamp Wattage	Housing	IC	Non-IC
			* Make to order only
P87-ATQL		12w	12w



**Specifications:**

Trim Assembly

- Die cast heat sink to provide optimal thermal management of the LED board and maximize life expectancy and lumen output
- Die cast active upper cone to optically control LED beam spread
- Die cast passive lower cone with integral flange provides excellent glare control and optical cutoff
- Powder coated lower cone. -31 and -121 finishes include white painted trim flange
- Frosted polycarbonate lens controls direct glare from the LEDs
- Easy installation with (3) friction spring clips and Quick Link electrical connector
- No light leaks around trim flange
- Use with P87-ATQL housing (purchased separately)

Lamping

- 9 LED (Light Emitting Diode) lamps included
- 11-watt input power
- Lumen output: 584 lumens (3500K), 502 lumens (2700K) for -28 white finish. Absolute photometry conducted per LM-79 for solid state luminaires
- CRI is 73
- 50,000 hours life based on 70% lumen maintenance
- Lamp contains no mercury, meets Calif. Title 22
- LED's emit no UV

Electrical

- Integral class II constant driver
- Dimmable to 20% using most 3-wire low voltage electronic switches, on 2-wire circuits
- 120VAC input, 50/60Hz
- Includes mating Quicik Link connector for electrical connection to the P87-ATQL

Labels

- cULus classified for wet locations

**EVERLUME™**  
LED LIGHTING

Progress Lighting  
701 Millennium Blvd.  
Greenville, South Carolina  
29607