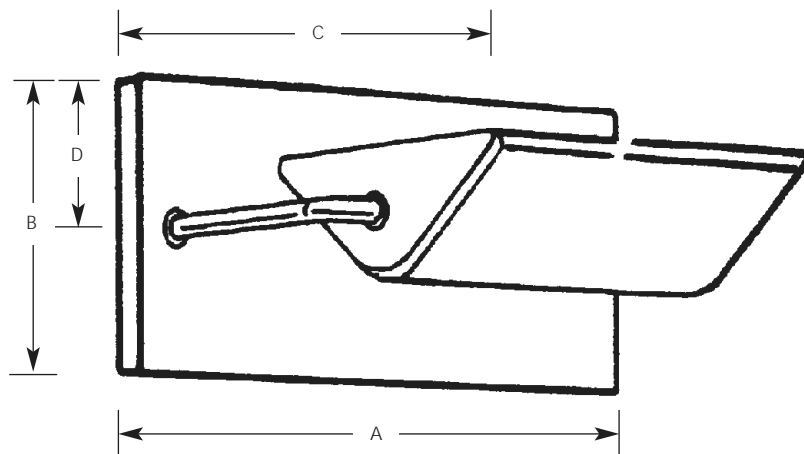


Type _____
 -30
 P7109

Catalog No.	Finish White	Lamping	Dimensions (Inches)			
			A	B	C	D
P7109	-30	1-250w Halogen T4	9	4-1/2	8	2-1/4



Specifications:

General

- White powder coat finish
- Steel construction
- Scoop is fixed in the "up" position
- Clear borosilicate cover protects the lamp

Electrical

- Mini-can porcelain socket for the T4 Halogen lamp

- Pre-wired

Labeling

- UL-CUL listed

Mounting

- Wall mount
- Covers outlet box
- Wall plate is 4-1/4" x 9"
- Mounting strap included to mount to outlet box