



LED **4" Open Trim** Recessed
New Construction and Remodel
Everlume Type _____

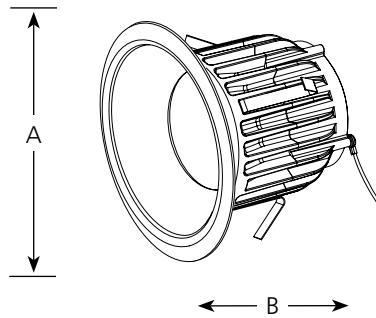
	-20*	-20/35K*	-28	-28/35K	-31*	-31/35K*	-36*	-36/35K*	-121*	-121/35K*
P8026	<input type="checkbox"/>	<input type="checkbox"/>	<input type="checkbox"/>	<input type="checkbox"/>	<input type="checkbox"/>	<input type="checkbox"/>	<input type="checkbox"/>	<input type="checkbox"/>	<input type="checkbox"/>	<input type="checkbox"/>

Catalog No	Finish					LED Color Temp	Dimensions (Inches)	
	Antique Bronze	White	Black	Chestnut	Metallic Silver		A	B
P8026	-20*	-28	-31*	-36*	-121*	2700K	4-7/8	4-1/16
P8026	-20/35K*	-28/35K	-31/35K*	-36/35K*	-121/35K*	3500K	4-7/8	4-1/16

* Make to order only

Lamp Wattage Housing	IC	Non-IC
P831-AT	11w	11w
P830-TG	NA	11w
P832-TG	NA	11w
Competitive Housings*	11w	11w

*See Trim Compatibility Guide



Specifications:

Trim Assembly

- Die cast heat sink to provide optimal thermal management of the LED board and maximize life expectancy and lumen output
- Die cast active upper cone to optically control LED beam spread
- Die cast passive lower cone with integral flange provides excellent glare control and optical cutoff
- Powder coated lower cone. -31 and -121 finishes include white painted trim flange
- Frosted polycarbonate lens controls direct glare from the LEDs
- Easy installation with (3) friction spring clips and universal screw shell lamp adapter accommodates compatibility with many competitive recessed housings
- No light leaks around trim flange
- In addition to the Progress P831-AT, P830-TG, and P832-TG, the P8026 is also UL classified for use with 4" housings made by Capri, Commercial Electric, Halo, Intense, Juno, Lithonia and Nora. See Everlume trim compatibility guide for a complete list of classified housings.

Lamping

- 9 LED (Light Emitting Diode) lamps included
- 11-watt input power
- Lumen output: 517 lumens (3500K), 434 lumens (2700K) for -28 finish. Absolute photometry conducted per LM-79 for solid state luminaires
- Lumen output and distribution comparable to a 50w R20
- CRI is 75+
- 50,000 hours life based on 70% lumen maintenance
- Lamp contains no mercury, meets Calif. Title 22

Electrical

- Built in electronic class II driver
- Edison base on trim attaches easily to housing socket
- Dimmable to 20% using most 3-wire low voltage electronic switches, on 2-wire circuits
- 120VAC input, 50/60Hz

Labels

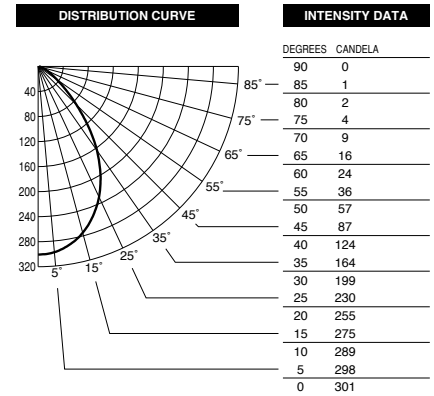
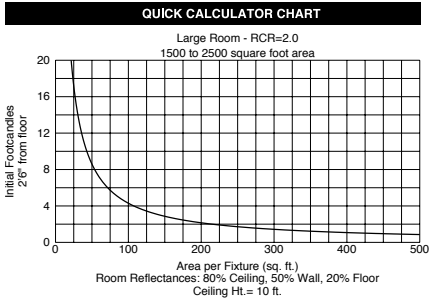
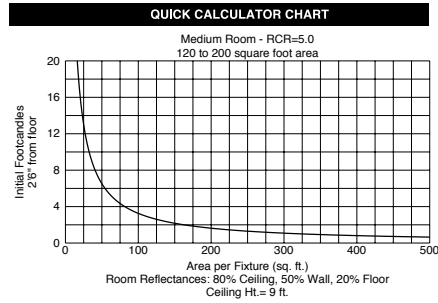
- cULus classified for wet locations

EVERLUME™
LED LIGHTING

Progress Lighting
 701 Millennium Blvd.
 Greenville, South Carolina
 29607

4"2700K with White Interior and Frosted Flat Polycarbonate Lens

Product Tested: P8026-28 **Lumen Rating**
 No. Lamps: 1 Total Lumens: 434
 Type Lamp: Nine LEDs S/MH Ratio: 1.0



SINGLE FIXTURE DATA

Ceiling Ht.(Ft.)	10% Values		Zero Degrees	50% Values	
	Beam Angle - 90°			Beam Angle - 55°	
	Ft.-C	Beam Dia.		Ft.-C	Beam Dia.
8	1.0	11	9.9	5.0	6
10	0.5	15	5.3	2.7	8
12	0.3	19	3.3	1.7	10
14	0.2	23	2.3	1.1	12
16	0.2	27	1.6	0.8	14

Ft.-C (Footcandles) are initial and measured 2'-6" from floor

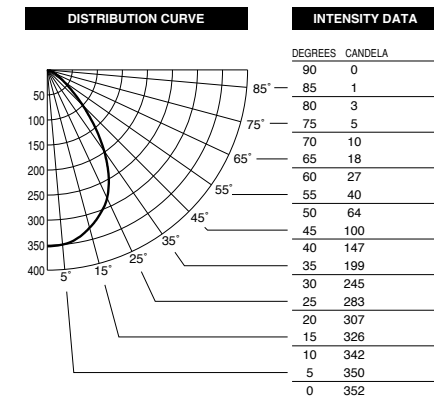
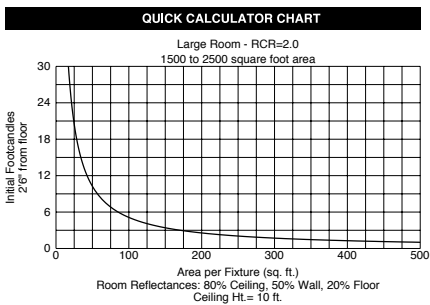
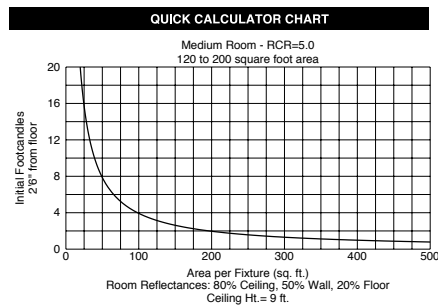
ZONAL CAVITY COEFFICIENTS OF UTILIZATION

Effective Floor Cavity Reflectance 0.20

RC	80		70		50		30		10		0							
	RW	70	50	30	10	70	50	30	10	50	30	10	0					
0	119	119	119	119	116	116	116	116	111	111	111	106	106	106	102	102	102	100
1	112	109	106	103	109	106	104	101	102	100	98	98	97	95	95	94	92	90
2	105	99	94	89	102	97	92	88	94	90	86	90	87	85	88	85	83	81
3	98	90	84	79	96	88	83	78	86	81	77	83	79	76	81	77	74	72
4	91	82	75	70	89	81	74	70	79	73	69	76	72	68	74	70	67	65
5	85	75	68	63	84	74	68	62	72	66	62	70	65	61	69	64	61	59
6	80	69	62	57	78	68	62	57	67	61	56	65	60	56	64	59	55	54
7	75	64	57	52	74	63	56	51	62	56	51	61	55	51	59	54	51	49
8	71	59	52	47	69	59	52	47	57	51	47	56	51	47	55	50	46	45
9	67	55	48	43	65	55	48	43	54	48	43	53	47	43	52	47	43	41
10	63	52	45	40	62	51	45	40	50	44	40	49	44	40	48	43	40	38

4" 3500K with White Interior and Frosted Flat Polycarbonate Lens

Product Tested: P8026-28/35K **Lumen Rating**
 No. Lamps: 1 Total Lumens: 517
 Type Lamp: Nine LEDs S/MH Ratio: 1.1



SINGLE FIXTURE DATA

Ceiling Ht.(Ft.)	10% Values		Zero Degrees	50% Values	
	Beam Angle - 90°			Beam Angle - 57°	
	Ft.-C	Beam Dia.		Ft.-C	Beam Dia.
8	1.2	11	11.6	5.8	6
10	0.6	15	6.3	3.1	8
12	0.4	19	3.9	2.0	10
14	0.3	23	2.7	1.3	12
16	0.2	27	1.9	1.0	15

Ft.-C (Footcandles) are initial and measured 2'-6" from floor

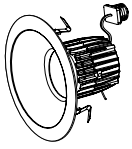

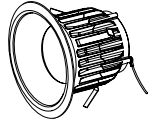

ZONAL CAVITY COEFFICIENTS OF UTILIZATION

Effective Floor Cavity Reflectance 0.20

RC	80		70		50		30		10		0							
	RW	70	50	30	10	70	50	30	10	50	30	10	0					
0	119	119	119	119	116	116	116	116	111	111	111	106	106	106	102	102	102	100
1	112	109	106	103	110	106	104	101	102	100	98	99	97	95	95	94	92	91
2	105	99	94	90	102	97	92	89	94	90	87	91	87	85	88	85	83	81
3	98	90	84	79	96	89	83	78	86	81	77	83	79	76	81	78	75	73
4	92	82	76	70	90	81	75	70	79	73	69	77	72	68	75	71	67	66
5	86	76	68	63	84	75	68	63	73	67	62	71	66	62	69	65	61	59
6	80	70	62	57	79	69	62	57	67	61	57	66	60	56	64	59	56	54
7	75	64	57	52	74	64	57	52	62	56	52	61	55	51	60	55	51	49
8	71	60	53	48	70	59	52	48	58	52	47	57	51	47	56	51	47	45
9	67	55	49	44	66	55	48	44	54	48	44	53	47	43	52	47	43	42
10	63	52	45	41	62	51	45	40	50	44	40	49	44	40	49	44	40	39

EVERLUME TRIM COMPATIBILITY GUIDE

Everlume Retro-Fit Trims are UL Classified for Use with the Following Recessed Housings:

					
		P8071-28 / P8071-28/35K	P8070-30 / P8070-30/35K	P8026-28 / P8026-28/35K	P8027-30 / P8027-30/35K
Manufacturer	Part Number				
CAPRI	CR1	X	X		
	CRR1	X	X		
	RR4				
	TRR4			X	X
	DY4102			X	X
COMMERCIAL ELECTRIC	C71CA(H3)	X	X		
	HBR200B(H9)			X	X
	HBR200R(H10)			X	X
ELCO	EL7RICA	X	X		
	EL7ICA	X	X		
	EL7ICAT		X		
	EL99ICA			X	X
	EL99R			X	X
EMERALD	P1-ICTN	X	X		
HALO	H7ICAT	X	X		
	H7RICAT	X	X		
	H99ICT			X	X
	H99T			X	X
	H99RT			X	X
INTENSE	I6AIC	X	X		
	I6RAIC	X	X		
	I4AIC			X	X
JIMWAY	C7ICR(H2)	X	X		
JUNO	IC22	X	X		
	IC1				X
	TC1			X	X
	TC1R				X
LITHONIA	L7X	X	X		
	LI6	X			
	LI3			X	
	L3R			X	
LUMAPRO	5TP95	X	X		
LUMINAIRE	LUICT-00	X	X		
NORA	NHIC-17QAT	X	X		
	NHRIC-17QNBAT	X	X		
	NSIC-401AT			X	X
	NSIC-401QAT			X	X
	NS-401Q			X	X
	NSR-404Q			X	X
PROGRESS	P187-TG	X	X		
	P87-AT	X	X		
	P186-TG	X			
	P86-TG	X			
	P821-FB	X			
	P831-AT			X	X
	P832-TG			X	X
	P830-TG			X	X
SEA GULL	1128	X	X		
WAC	R6VI-ICA	X	X		
	R6VI-R-ICA	X	X		

Everlume Compatible Dimmer Controls

- Everlume LED products are compatible with most 3-wire low voltage dimmer switches.
- The following low voltage dimmers are recommended for use with Everlume LED products:
 - Lutron Diva - DVE-LV300P
 - Lutron Maestro - MAELV-600
 - Smarthome - Insteon Switchlink v2 2476D
- Control systems must be capable of accommodating low voltage electronic power supplies, and connection of the supply neutral. Recommend setting as an incandescent load



LED

4" Open Trim
California T24 Compliant
Everlume

Recessed

Type _____

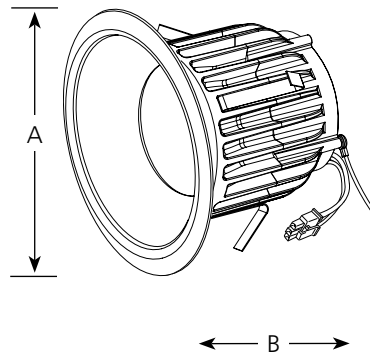
	-20QL/27K*	-28QL/27K	-31QL/27K*	-36QL/27K*	-121QL/27K*
P8026	<input type="checkbox"/>	<input type="checkbox"/>	<input type="checkbox"/>	<input type="checkbox"/>	<input type="checkbox"/>
	-20QL/35K*	-28QL/35K	-31QL/35K*	-36QL/35K*	-121QL/35K*
P8026	<input type="checkbox"/>	<input type="checkbox"/>	<input type="checkbox"/>	<input type="checkbox"/>	<input type="checkbox"/>

Finish

Catalog No	Antique Bronze	White	Black	Chestnut	Metallic Silver	LED Color Temp	Dimensions (Inches)	
							A	B
P8026	-20QL/27K*	-28QL/27K	-31QL/27K*	-36QL/27K*	-121QL/27K*	2700K	4-7/8	4-1/16
P8026	-20QL/35K*	-28QL/35K	-31QL/35K*	-36QL/35K*	-121QL/35K*	3500K	4-7/8	4-1/16

* Make to order only

Lamp Wattage Housing	IC	Non-IC
P830-ATQL	11w	11w



EVERLUME™
 LED LIGHTING

Specifications:

Trim Assembly

- Die cast heat sink to provide optimal thermal management of the LED board and maximize life expectancy and lumen output
- Die cast active upper cone to optically control LED beam spread
- Die cast passive lower cone with integral flange provides excellent glare control and optical cutoff
- Powder coated lower cone -31 and -121 finishes include white painted trim flange
- Frosted polycarbonate lens controls direct glare from the LEDs
- Easy installation with (3) friction spring clips and Quick Link electrical connector
- No light leaks around trim flange
- Use with P830-ATQL housing (purchased separately)

Lamping

- 9 LED (Light Emitting Diode) lamps included
- 11-watt input power
- Lumen output: 517 lumens (3500K), 434 lumens (2700K) for -28 finish. Absolute photometry conducted per LM-79 for solid state luminaires
- CRI is 75+
- 50,000 hours life based on 70% lumen maintenance
- Lamp contains no mercury, meets Calif. Title 22
- LED's emit no UV

Electrical

- Integral class II constant current driver
- Dimmable to 20% using most 3-wire low voltage electronic switches, on 2-wire circuits
- 120VAC input, 50/60Hz
- Includes mating Quick Link connector for electrical connection to the P830-ATQL

Labels

- cULus listed for wet locations

Progress Lighting
 701 Millennium Blvd.
 Greenville, South Carolina
 29607