



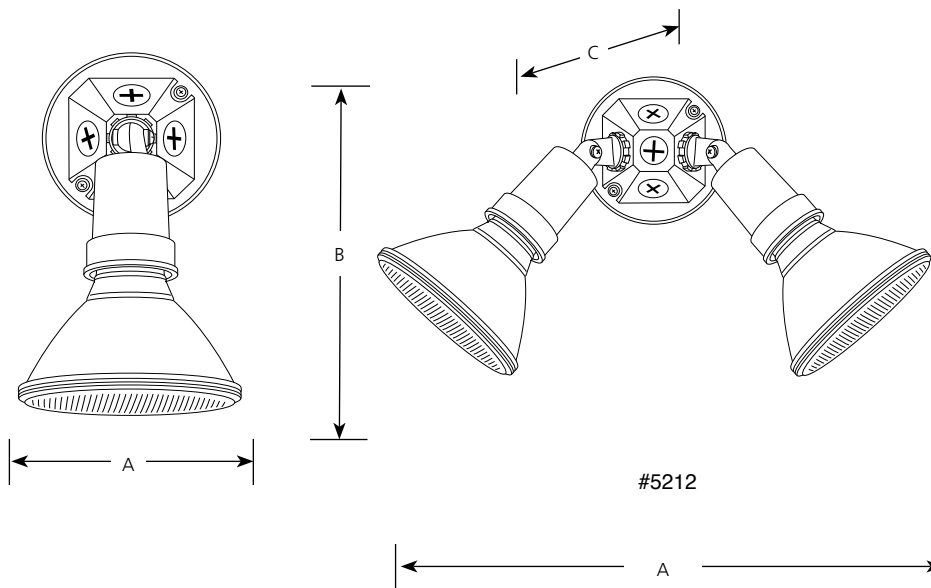
Incandescent

Par Lampholders

Outdoor

Type	-20	-30	-31
P5211	<input type="checkbox"/>	<input type="checkbox"/>	<input type="checkbox"/>
P5212	<input type="checkbox"/>	<input type="checkbox"/>	<input type="checkbox"/>

Catalog No.	Finish			Lamping	Dimensions (Inches)		
	Bronze	White	Black		A	B	C
P5211	-20	-30	-31	1-120w PAR38	4-5/8	7	na
P5212	-20	-30	-31	2-120w PAR38	11	4-5/8	5



**Specifications:**

General

- UV stabilized non-metallic materials
- Positive lock swivel
- Single stainless steel screw lock
- Bronze (-20), White (-30) or Black (-31) material

Mounting

- Wall or ceiling mount outdoor
- Covers a standard 4" recessed octagonal recessed outlet box
- Stainless screws furnished to mount to ears of box
- Gasket supplied for back plate

Electrical

- Medium based ceramic sockets.
- 1/2" IPS female threaded and plugged entries for accessories such as a motion detector and/or photocell (4 on P5211, 3 on P5212)
- Prewired

Labeling

- UL-CUL wet location listed

Progress Lighting  
 701 Millennium Blvd.  
 Greenville, South Carolina  
 29607

www.progresslighting.com

Rev. 9/07