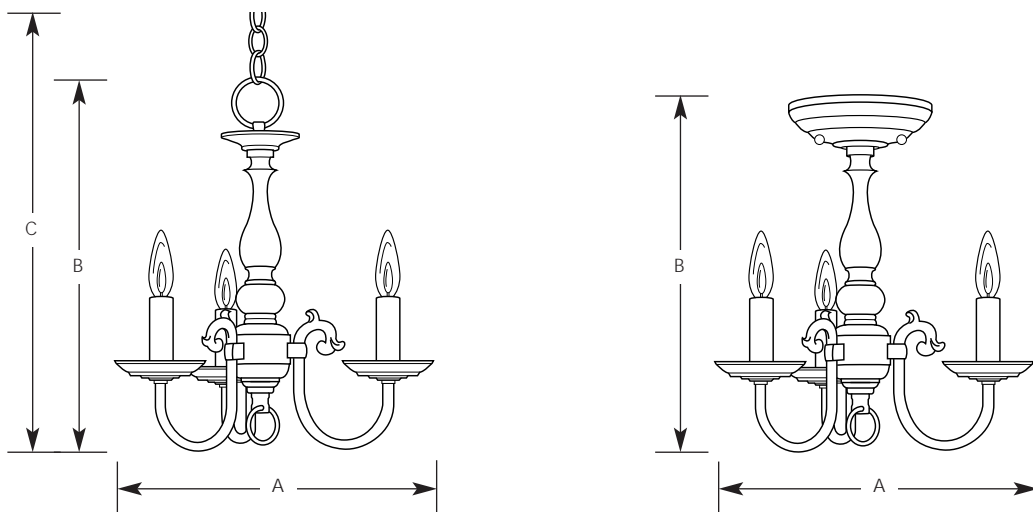


Type _____
 -09 -10 -20
 P4354

Catalog No.	Finish			Lamping	Dimensions (Inches)		
	Brushed Nickel	Polished Brass	Antique Bronze		A	B	C
P4354	-09	-10	-20	3 (c) 60w	13	13	36



Specifications:

General

- Polished Solid Brass
- Cast arm backs
- 2 feet of 9 gauge chain
- Companion chandelier and wall bracket units

Mounting

- Chain hung ceiling or ceiling mount without chain
- Covers outlet box for both chain and ceiling mounted units
- Mounting strap for outlet box included
- Canopy is 5-1/8" diameter

Electrical

- 10 feet of wire
- Candelabra based phenolic sockets
- White candle covers
- Pre-wired

Labeling

- UL-CUL listed