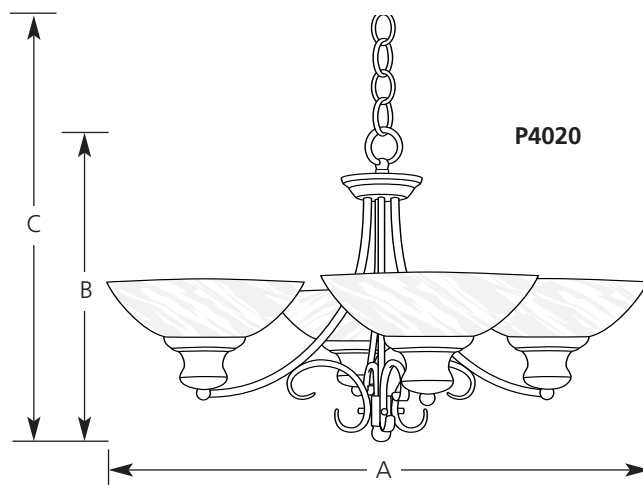
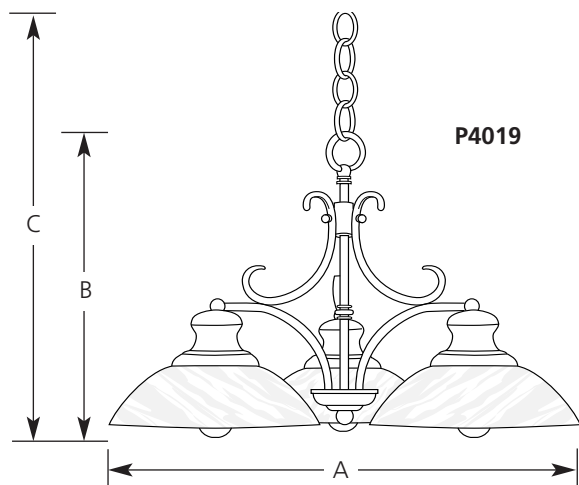


|       |                          |                          |                          |
|-------|--------------------------|--------------------------|--------------------------|
| Type  | _____                    |                          |                          |
|       | -30                      | -56                      | -57                      |
| P4019 | <input type="checkbox"/> | <input type="checkbox"/> | <input type="checkbox"/> |
| P4020 | <input type="checkbox"/> | <input type="checkbox"/> | <input type="checkbox"/> |

| Catalog No. | Finish         |                |              | Lamping    | Dimensions (Inches) |        |    |
|-------------|----------------|----------------|--------------|------------|---------------------|--------|----|
|             | Textured White | Antique Bisque | Copper Verde |            | A                   | B      | C  |
| P4019       | -30            | -56            | -57          | 3 (m) 100w | 24                  | 15     | 52 |
| P4020       | -30            | -56            | -57          | 4 (m) 100w | 28                  | 16-1/2 | 54 |



**Specifications:**

General

- Steel construction
- Hand-painted finishes
- Wrought iron details
- Faux Tiffany Art glass
- 3 feet of 9 gauge chain
- Companion foyer, pendants, close-to-ceiling, and wall sconce

Electrical

- 15 feet of wire
- Ceramic medium base sockets
- P4019 glass is retained by threaded socket rings
- Pre-wired

Labeling

- UL-CUL listed

Mounting

- Chain-hung ceiling
- Covers outlet box
- Mounting strap for outlet box included
- Canopy 5" dia.