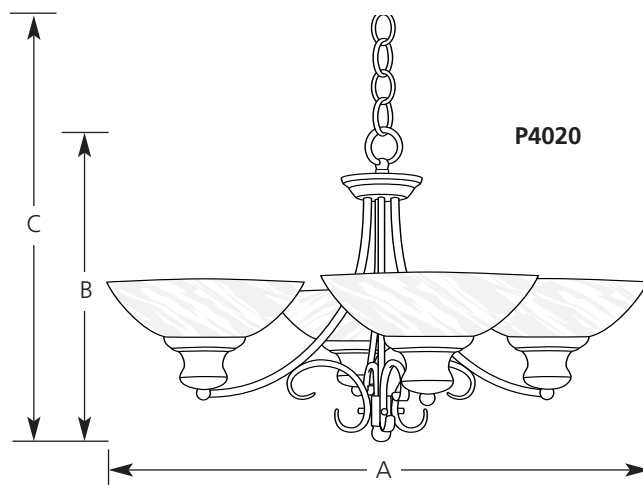
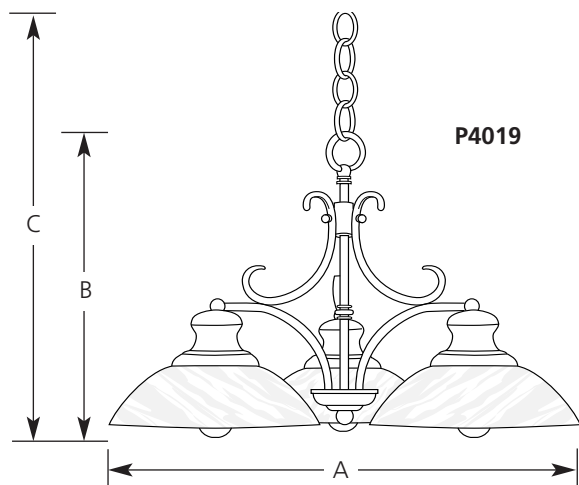


Type	-30	-56	-57
P4019	<input type="checkbox"/>	<input type="checkbox"/>	<input type="checkbox"/>
P4020	<input type="checkbox"/>	<input type="checkbox"/>	<input type="checkbox"/>

Catalog No.	Finish			Lamping	Dimensions (Inches)		
	Textured White	Antique Bisque	Copper Verde		A	B	C
P4019	-30	-56	-57	3 (m) 100w	24	15	52
P4020	-30	-56	-57	4 (m) 100w	28	16-1/2	54



**Specifications:**

General

- Steel construction
- Hand-painted finishes
- Wrought iron details
- Faux Tiffany Art glass
- 3 feet of 9 gauge chain
- Companion foyer, pendants, close-to-ceiling, and wall sconce

Mounting

- Chain-hung ceiling
- Covers outlet box
- Mounting strap for outlet box included
- Canopy 5" dia.

Electrical

- 15 feet of wire
- Ceramic medium base sockets
- P4019 glass is retained by threaded socket rings
- Pre-wired

Labeling

- UL-CUL listed