



Compact  
Fluorescent Trim **6"Pro-Optic™ Lensed**  
2 Horizontal Quad Tube Lamp  
Non-IC

Recessed

Type \_\_\_\_\_

-83

P8034

**Finish**

**Dimensions (Inches)**

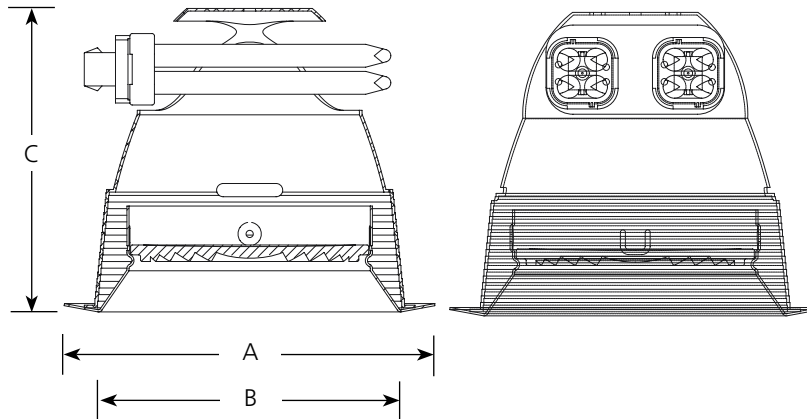
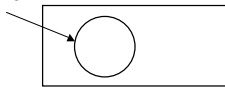
Catalog No.	Fresnel	A	B	C
P8034	-83	7	5-3/4	5-3/4

Maximum Ceiling Thickness: 1-1/4"

Ceiling Cutout: 6-1/4" (See guide for retrofit)

P163H, P168H, P16H HOUSING COMPATIBILITY GUIDE		
ORDERING GUIDELINES	6 INCH OPENING RANGE	
	MIN	MAX
REQUIRES SD HOUSING OPTION	5-15/16	6-1/8
ALL STANDARD HOUSINGS	6-1/8	6-1/2
ONLY P8030 SERIES TRIMS AVAILABLE: 'WF' OPTION	6-1/2	6-7/8

Dimensions shown are for the diameter of the frame flange at its narrowest point



**Lamp Wattage**

**Housings**

New Construction	Retrofit	IC	Non-IC
P63-EB	P163H-EB	N/A	2-13w Quad Tube
P68-EB	P168H-EB	N/A	2-18w Quad Tube
P66-EB	P166H-EB	N/A	2-26w Quad Tube
P66-DM	P166H-DM	N/A	2-26w Quad Tube

**Specifications:**

Trim

- White painted regressed metal trim with integral flange retains the lenses
- Attaches to reflector with two scissor springs

Reflector

- All aluminum construction
- One piece construction with integral flange
- No light leaks around trim flange
- Socket cup mounts to reflector for optimum performance and consistent lamp position
- Reflector retention accomplished by spring clips located in aperture of housing
- White painted finish

Lens

- Fresnel (-83) glass lense
- Protects lamps from below ceiling

Labeling

- cCSAus listed for wet locations
- Non-IC rated

Progress Lighting  
701 Millennium Blvd.  
Greenville, South Carolina  
29607





# P66-EB/P8034-83

## 6" RECESSED/DOWNLIGHT

Report No. 311-PRO

No. Lamps: 2 Type Lamp: 2-F26DBX/SPX27/4P-GE Total Lumens: 3420

Fixture Efficiency: 23.7%

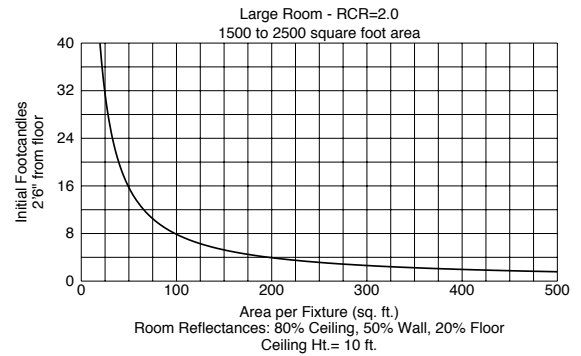
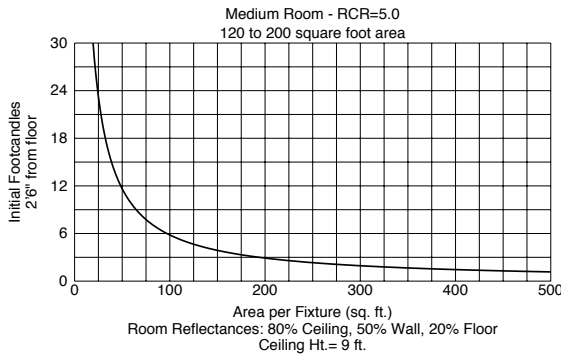
S/MH Ratio: 1.2 (0°) 1.1 (90°)

### Single Fixture Data

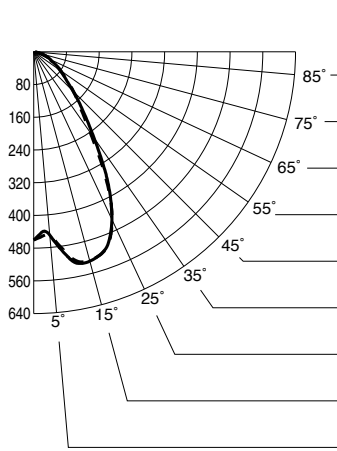
Ceiling Ht.(Ft.)	10% Values		Zero Degrees Ft.-C	50% Values	
	Beam Angle - 91°			Beam Angle - 60°	
	Ft.-C	Beam Dia.		Ft.-C	Beam Dia.
8	1.5	11	15.2	7.6	6
10	0.8	15	8.2	4.1	9
12	0.5	19	5.1	2.5	11
14	0.3	23	3.5	1.7	13
16	0.3	27	2.5	1.3	16

Ft.-C (Footcandles) are initial and measured 2'-6" from floor

### Quick Calculator Charts



#### DISTRIBUTION CURVE



#### INTENSITY DATA

DEGREES	CANDELA	
	AT 0°	AT 90°
90	1	1
85	3	4
80	8	9
75	21	21
70	33	33
65	46	47
60	61	62
55	78	81
50	101	105
45	136	138
40	186	177
35	257	240
30	359	349
25	452	453
20	513	514
15	530	528
10	515	508
5	450	451
0	460	460

#### ZONAL CAVITY COEFFICIENTS OF UTILIZATION

Effective Floor Cavity Reflectance 0.20

RC	Effective Floor Cavity Reflectance 0.20																	
	80			70			50			30			10			0		
RW	70	50	30	10	70	50	30	10	50	30	10	50	30	10	50	30	10	0
0	28	28	28	28	28	28	28	28	26	26	26	25	25	25	24	24	24	24
1	26	25	25	24	26	25	24	24	24	23	23	23	23	22	22	22	22	21
2	25	23	22	21	24	23	21	20	22	21	20	21	20	20	20	20	19	19
3	23	21	19	18	22	20	19	18	20	19	18	19	18	17	19	18	17	17
4	21	19	17	16	21	19	17	16	18	17	16	18	16	15	17	16	15	15
5	20	17	16	14	19	17	15	14	17	15	14	16	15	14	16	15	14	13
6	19	16	14	13	18	16	14	13	15	14	13	15	14	13	15	13	13	12
7	17	15	13	12	17	15	13	12	14	13	12	14	13	12	14	12	11	11
8	16	14	12	11	16	14	12	11	13	12	11	13	12	11	13	11	11	10
9	15	13	11	10	15	13	11	10	12	11	10	12	11	10	12	11	10	9
10	15	12	10	9	14	12	10	9	12	10	9	11	10	9	11	10	9	9



FireBox®  
Compact  
Fluorescent Trim

**6" Pro-Optic FireBox® Regressed Fresnel  
2 Horizontal Lamps**

Recessed

**Non-IC**

Type \_\_\_\_\_

-83FB

P8034

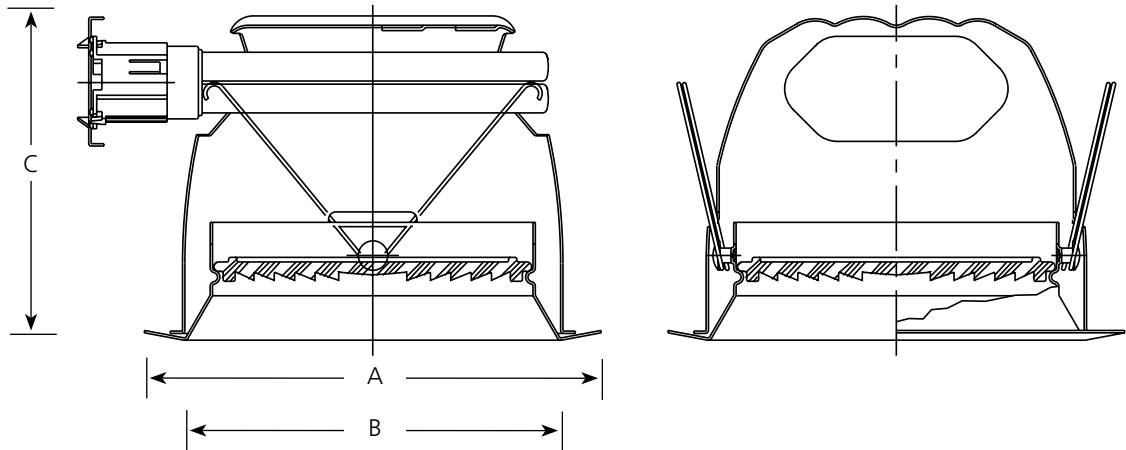
**Finish**

Catalog No.	Finish
P8034	-83FB

**Dimensions (Inches)**

A	B	C
7-3/4	6-3/8	5-1/4

Maximum Ceiling Thickness: 1-1/8"



\*Lamps shown are 13w quad tube compact fluorescent

**Lamp Wattage**

Housing	IC	Non-IC
P63-EBFB	N/A	2 13w Quad 4-Pin
P68-EBFB	N/A	2 18w Quad 4-Pin
P66-EBFB	N/A	2 26w Quad 4-Pin

**Specifications:**

Flange

- White painted metal flange

Trim

- All aluminum construction
- One piece upper conoid reflector with white finish
- No light leaks around trim flange
- Socket box mounts to trim for optimum performance and consistent lamp position
- Trim retention accomplished by 3 spring clips located in aperture of housing

Lens

- Tempered fresnel glass in regressed trim frame with scissor springs for lamp access: 5-13/32" large dia., 4-29/32" small dia.

- Protects lamps from below ceiling
- Provides broad distribution of light

Labeling

- UL-CUL wet location listed
- Non-IC rated

Progress Lighting  
701 Millennium Blvd.  
Greenville, South Carolina  
29607

www.progresslighting.com  
Patent# 6,254,257





