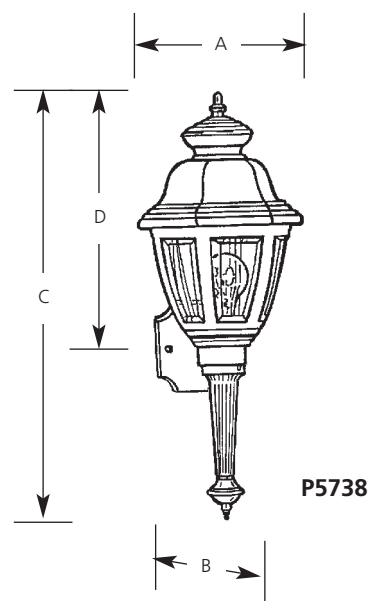
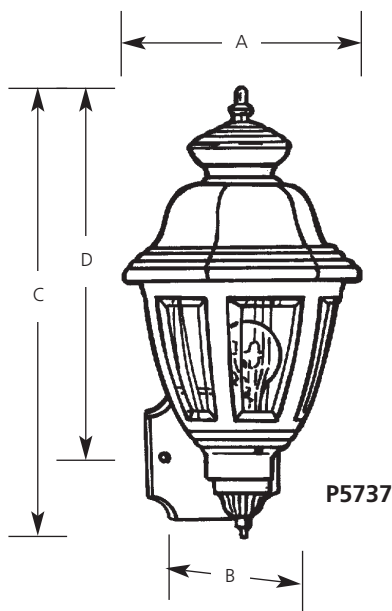


Type	-30	-31
P5737	<input type="checkbox"/>	<input type="checkbox"/>
P5738	<input type="checkbox"/>	<input type="checkbox"/>

Catalog No.	Finish		Lamping	Dimensions (Inches)			
	White	Black		A	B	C	D
P5737	-30	-31	1-60w A19	8	8-1/2	16	13
P5738	-30	-31	1-60w A19	8	8-1/2	21	13



Specifications:

General

- Wall lantern - Acorn hexagonal style
- White or Black finish
- Polypropylene construction
- Clear beveled curved acrylic panels
- P5737 & P5738: 4-13/16" ht., 3-1/8" top width, 1-3/4" bottom width
- Lamp replacement - Captive top hinges open
- Matching post top unit available

Mounting

- Wall mounted
- Covers standard junction box
- Mounting strap for outlet box and cap nuts provided
- Back plate - 4-1/2" W., 4-3/4" ht.

Electrical

- Medium based sockets are phenolic with brass screw shell

Labeling

- UL-CUL wet location listed