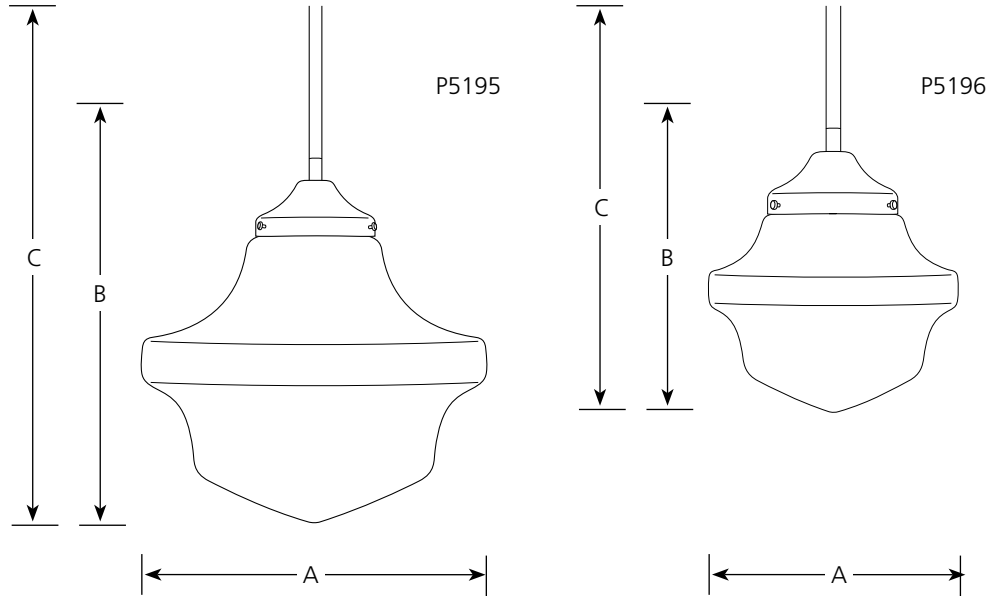


	Type	_____
	-09	-124
P5195	<input type="checkbox"/>	<input type="checkbox"/>
P5196	<input type="checkbox"/>	<input type="checkbox"/>

Catalog No.	Finish		Lamping	Dimensions (Inches)		
	Brushed Nickel	Copper Bronze		A	B	C
P5195	-09	-124	1 (m) 100w	12	12-3/4	79
P5196	-09	-124	1 (m) 100w	8	9	75



**Specifications:**

General

- White opal glass
- Two 6", one 12", and two 15" sections of matching stem supplied and 6 links of 9 gauge chain. Stems have internal thread couplers to attain various desired lengths.

Mounting

- Ceiling mount
- Canopy covers a standard recessed 4" hexagonal outlet box
- Mounting strap included

Electrical

- Ceramic medium based socket
- 10 feet of wire included
- Pre-wired

Labeling

- UL/CUL dry location listed