



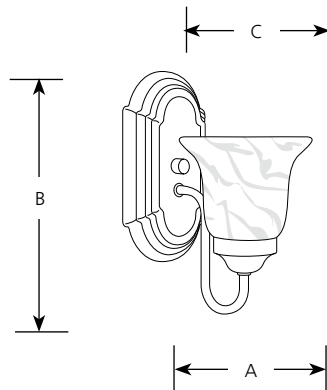
Incandescent

Etched Alabaster

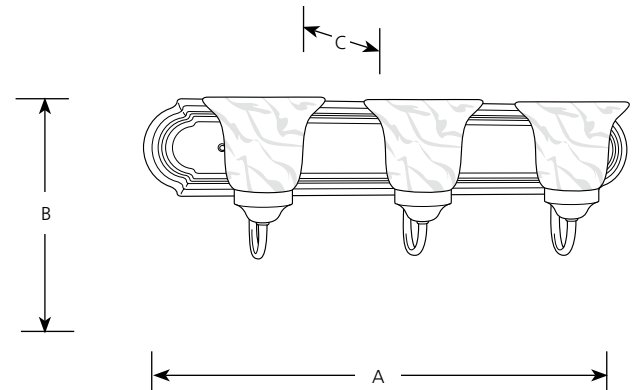
Bath & Vanity

Type	-09	-20
P3051	<input type="checkbox"/>	<input type="checkbox"/>
P3052	<input type="checkbox"/>	<input type="checkbox"/>
P3053	<input type="checkbox"/>	<input type="checkbox"/>
P3054	<input type="checkbox"/>	<input type="checkbox"/>
P3055	<input type="checkbox"/>	<input type="checkbox"/>
P3056	<input type="checkbox"/>	<input type="checkbox"/>

Catalog No.	Finish		Lamping	Dimensions (Inches)			
	Brushed Nickel	Antique Bronze		A	B	C	D
P3051	-09	-20	1 (m) 100w	5-1/4	9	7-1/4	5
P3052	-09	-20	2 (m) 100w	18	7-1/4	7-1/4	5
P3053	-09	-20	3 (m) 100w	24	7-1/4	7-1/4	5
P3054	-09	-20	4 (m) 100w	30	7-1/4	7-1/4	5
P3055	-09	-20	5 (m) 100w	36	7-1/4	7-1/4	5
P3056	-09	-20	6 (m) 100w	48	7-1/4	7-1/4	5



P3051



P3053

**Specifications:**

General

- Etched alabaster glass shades
- Racetrack style backplate
- Brushed Nickel (-09) is plated and Antique Bronze (-20) is painted or acid finish
- Steel construction

Mounting

- Wall mounted
- Can be mounted in "up" or "down" position
- Canopy covers a standard 4" octagonal recessed outlet box
- Mounting strap for outlet box included

Electrical

- Pre-wired
- Medium based ceramic sockets

Labeling

- UL-CUL damp location listed

Progress Lighting  
701 Millennium Blvd.  
Greenville, South Carolina  
29607

www.progresslighting.com

Rev. 4/09