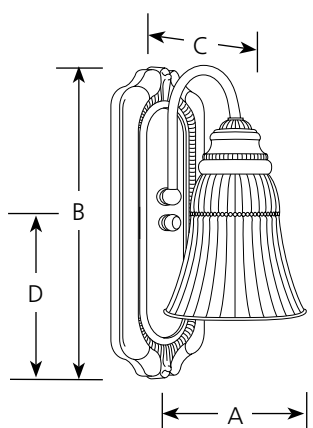
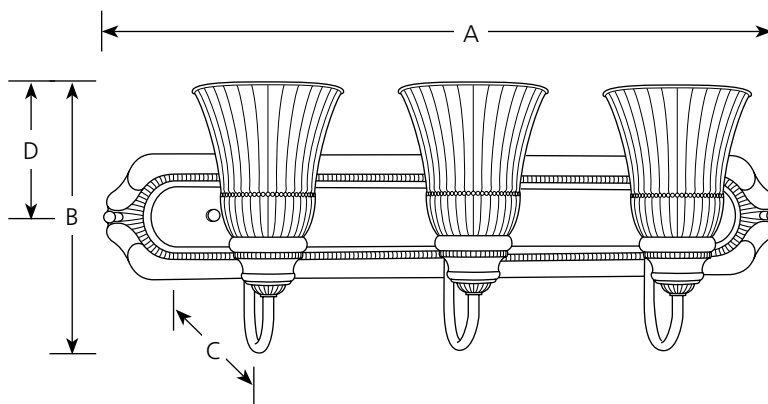


Type	_____	
	-43	-77
P3007	<input type="checkbox"/>	<input type="checkbox"/>
P3008	<input type="checkbox"/>	<input type="checkbox"/>
P3009	<input type="checkbox"/>	<input type="checkbox"/>
P3010	<input type="checkbox"/>	<input type="checkbox"/>

Catalog No.	Finish		Lamping	Dimensions (Inches)			
	Colonial Silver	Forged Bronze		A	B	C	D
P3007	-43	-77	1 (m) 100w	5-3/16	12	7	6
P3008	-43	-77	2 (m) 100w	18	9	6-3/4	4-1/4
P3009	-43	-77	3 (m) 100w	24-1/2	9	6-3/4	4-1/4
P3010	-43	-77	5 (m) 100w	37	9	6-3/4	4-1/4



P3007



P3009

**Specifications:**

General

- Etched patterned glass - 5-1/8" dia x 5-5/8" tall
- Full length backplate
- Detailed stamped full cover plate and socket cups
- Glass can be mounted in up or down position
- Plated colonial silver with brass highlighted finish
- Painted forged bronze finish
- Forged Bronze finish is on steel. Colonial Silver is solid brass
- Companion fixtures: Chandeliers, hall and foyer, wall bracket, close to ceiling, and pendant

Mounting

- Wall mount
- Canopy Covers a standard 4" octagonal recessed outlet box
- Mounting strap for outlet box included

Electrical

- Ceramic medium base sockets
- Pre-wired
- Threaded socket ring secures glass

Labeling

- UL-CUL "Damp Location" listed