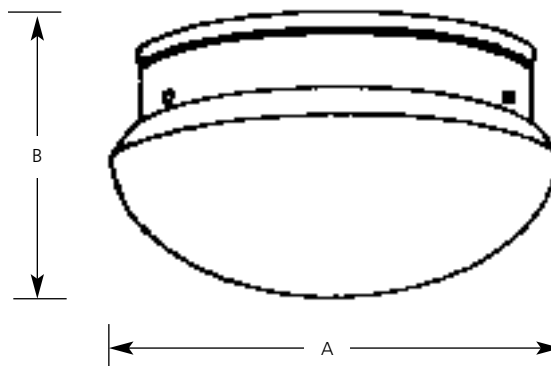


Type _____
 -10 -30
 P7312

Catalog No.	Finish		Lamping	Socket	Dimensions (Inches)	
	Polished Brass	White			A	B
P7312	-10	-30	2-13w Twin CF	GX23	11-3/4	5-3/4



Specifications:

General

- Steel construction
- Polished Brass (-10) or White painted (-30) finishes
- White glass
- 3 installed fitter screws retain glass

Electrical

- 120V NPF ballasts. For HPF option, consult factory.
- Pre-wired

Labeling

- UL-CUL listed

Mounting

- Ceiling mount
- Covers outlet box
- Mounting strap for outlet box included
- Keyhole slots for easy mounting



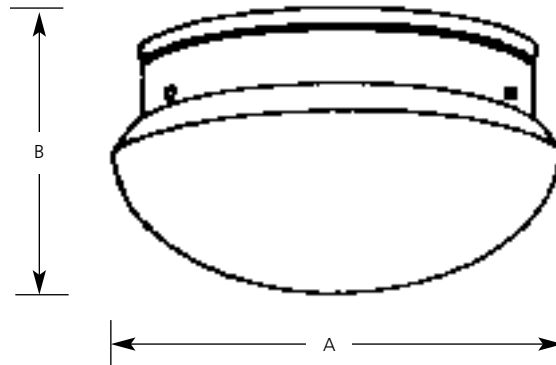
Compact Fluorescent

10" Fitters
Energy Star

Close-to-Ceiling

Type _____
 -10STRWB -30STRWB
 P7312

Catalog No.	Finish		Lamping	Dimensions (Inches)	
	Polished Brass	White		A	B
P7312	-10STRWB	-30STRWB	2-13w Quad CFL (4 Pin)	11-3/4	5-3/4



Specifications:

General

- White glass
- 3 installed fitter screws retain glass
- Plated polished brass (-10) or white painted (-30) finishes
- Units comply with Energy Star requirements
- Steel construction

Electrical

- Pre-wired
- 120v NPF electronic ballast
- G24q-1 sockets

Labeling

- UL-CUL listed

Mounting

- Ceiling mount
- Fixture housing covers a standard 4" octagonal recessed outlet box
- Mounting strap for outlet box included
- Keyhole slots for easy fixture mounting



Progress Lighting
 Post Office Box 5704
 Spartanburg, South Carolina
 29304-5704

www.progresslighting.com