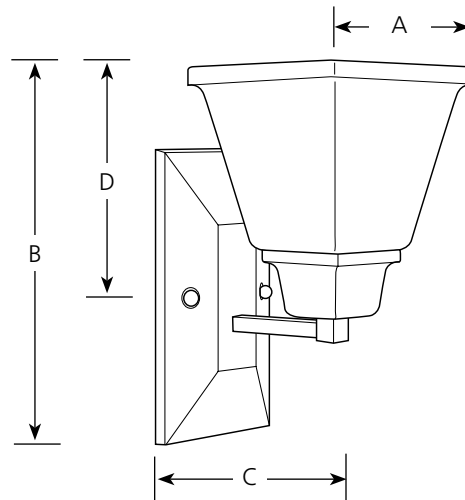


Type _____
 -09 -74

P2733

Catalog No.	Finish		Lamping	Dimensions (Inches)			
	Brushed Nickel	Venetian Bronze		A	B	C	D
P2733	-09	-74	1 (m) 100w	5-1/2	10-1/8	7-1/8	6



Specifications:

General

- Etched glass square shade: 5-1/2" W., 5" ht., , 1-5/8" center hole
- Plated Brushed Nickel (-09) finish
- Painted Venetian Bronze (-74) finish
- Mounts in "up" or "down" position
- Steel construction
- Companion Bath and Vanity, Ceiling Fans, Chandelier, Close-to-ceiling, Hall and Foyer, Pendant, fixtures are available

Mounting

- Wall mount
- Back plate covers a standard 4" hexagonal recessed outlet box: 4-3/16", 8" ht., 1" depth
- Mounting strap for outlet box included

Electrical

- Medium base ceramic socket
- Threaded socket ring secures glass
- Pre-wired

Labeling

- UL-CUL Damp location listed