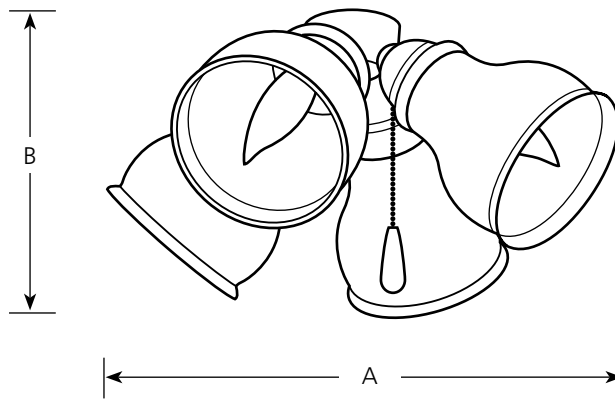


Type _____

-09 -20 -33 -40 -71 -77 -81 -93
 P2627

Finish

Catalog No.	Brushed Nickel	Antique Bronze	Cobblestone	Millstone	Gilded Iron	Forged Bronze	Antique Nickel	Corinthian Bronze	Dimensions (Inches)	
									A	B
P2627	-09	-20	-33	-40	-71	-77	-81	-93	15	8



Specifications:

General

- Four etched bell shaped glass shades
- Corinthian Bronze (-93) has Beige marble shades to match Toulon fixture family
- Pull chain on brushed nickel (-09) is chrome with a maple fob, antique bronze (-20), cobblestone (-33), millstone (40), forged bronze (-77), corinthian bronze (-93) is antique brass chain with walnut fob, and gilded iron (-71) and antique nickel (-81) is antique brass chain with black fob.
- Utilizes (4) 40-watt candelabra base lamps. Included.

Mounting

- For use on any indoor fan with 1/8" IP accessory adapter

Electrical

- Four ceramic candelabra based sockets
- Quick connect wiring to fan
- Pre-wired
- 190-watt limiter

Labeling

- UL listed