



Incandescent

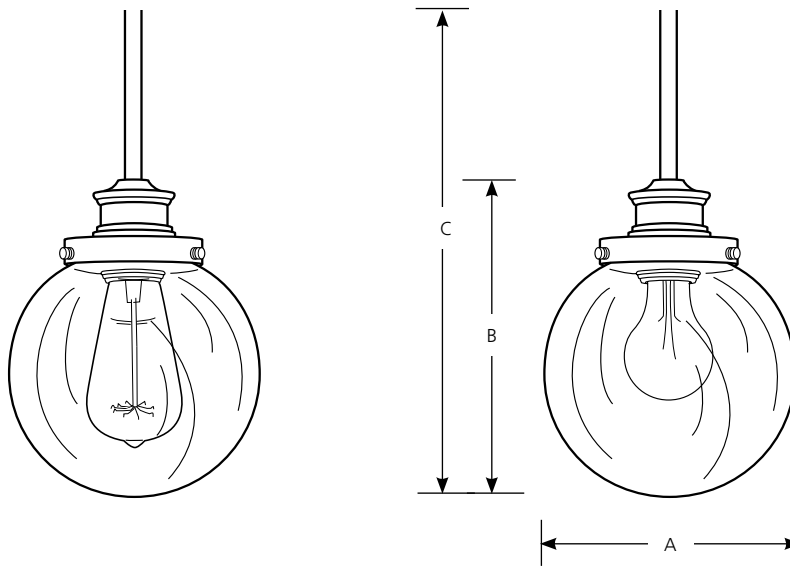
Penn

Pendants

Type _____
 -104 -137

P5067

Catalog No.	Finish		Lamping	Dimensions (Inches)		
	Polished Nickel	Natural Brass		A	B	C
	P5067	-104		-137	1-100w (m)	6-7/8



Specifications:

General

- Clear glass globe
- Plated Polished Nickel (-104), Natural Brass (-137) finishes
- Steel construction
- One 6", four 12" lengths of stem included
- 6 links of 9 gauge chain included
- Companion fixtures are available

Electrical

- E26 base ceramic socket
- 15 feet of wire supplied
- Pre-wired

Labeling

- UL-CUL Dry location listed

Mounting

- Ceiling stem mounted with 6 links of chain mount
- Canopy covers a standard 4" hexagonal recessed outlet box
- Mounting strap for outlet box included

Progress Lighting
 701 Millenium Blvd.
 Greenville, South Carolina
 29607

www.progresslighting.com

Rev. 03/15