

Type _____

-09

P4481

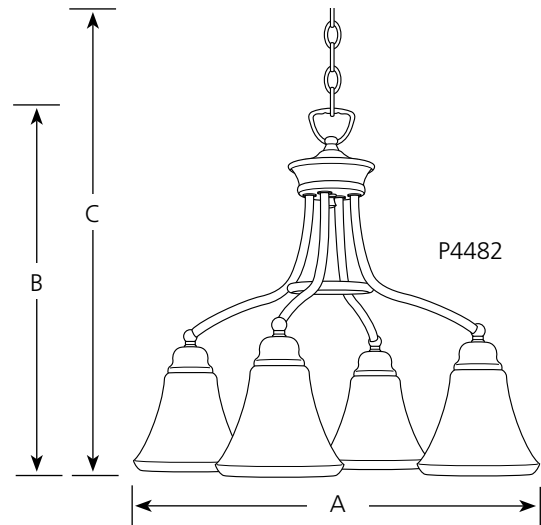
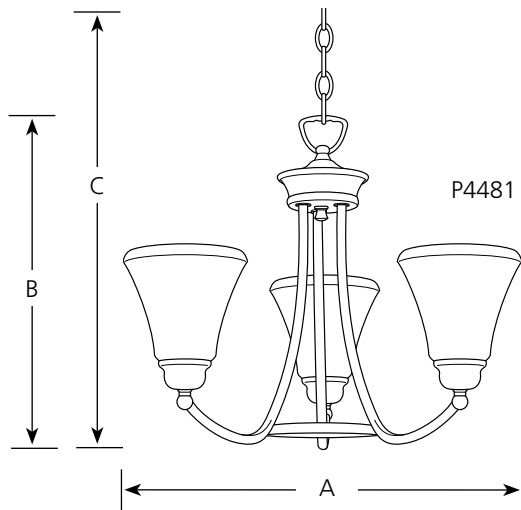
P4482

P4483

Finish

Dimensions (Inches)

Catalog No.	Brushed Nickel	Lamping	Dimensions (Inches)		
			A	B	C
P4481	-09	3 (m) 100w	20-5/8	16-1/2	92
P4482	-09	4 (m) 100w	21-3/4	19-1/8	94
P4483	-09	5 (m) 100w	25-5/8	19-3/4	95



Specifications:

General

- Clear etched trumpet shaped glass shades: 6" dia. x 5-3/8" ht.
- Curved arms with support ring
- P4482 has downward positioned shades
- Six feet of 9 gauge matching chain supplied
- Plated Brushed Nickel (-09) finish
- Steel Construction
- Companion chandelier, foyer, pendant, close to ceiling and bath and vanity fixtures are available

Mounting

- Ceiling mounted on chain
- Canopy covers a standard 4" hexagonal recessed outlet box
- Mounting strap for outlet box included

Electrical

- Medium based ceramic sockets
- 15 feet of wire supplied
- Pre-wired

Labeling

- UL-CUL listed