

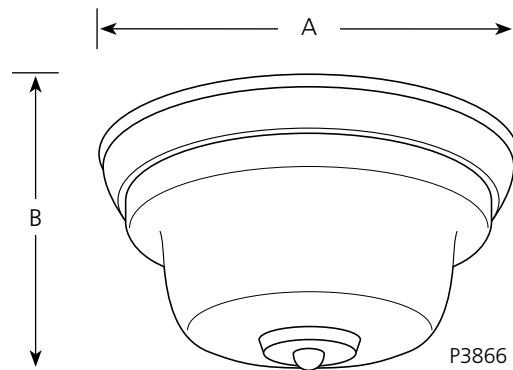
Type _____

	-09	-20
P3866	<input type="checkbox"/>	<input type="checkbox"/>
P3867	<input type="checkbox"/>	<input type="checkbox"/>

Finish

Dimensions (Inches)

Catalog No.	Brushed Nickel	Antique Bronze	Lamping	Dimensions (Inches)	
				A	B
P3866	-09	-20	1 (m) 100w	11	5-1/2
P3867	-09	-20	2 (m) 75w	13	5-3/4



Specifications:

General

- Etched seeded drum shaped glass shade
 - P3866 glass: 9-3/8" dia. x 3-5/8" ht., 1/2" center hole
 - P3867 glass: 11-3/8" dia. x 3-7/8" ht., 1/2" center hole
- Brushed Nickel (-09) is plated
- Antique Bronze (-20) is painted or acid finish
- Steel construction
- Companion chandeliers, hall & foyer, close to ceiling, pendant, wall bracket, and bath & vanity units

Mounting

- Ceiling flush mounted
- Unit covers a standard 4" recessed octagonal outlet box
- P3866 canopy is 11" dia. x 1-1/4" ht.
- P3867 canopy is 13" dia. x 1-1/4" ht.
- Mounting strap for outlet box included

Electrical

- Pre-wired
- Medium based ceramic socket

Labeling

- cCSAus listed