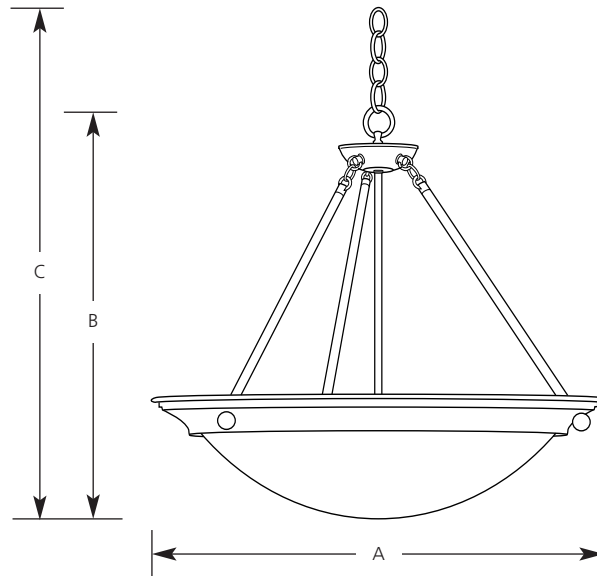


Type _____
 -10 -13
 P3573

| Catalog No. | Finish | | Lamping | Dimensions (Inches) | | |
|-------------|----------------|---------------|------------|---------------------|----|----|
| | Polished Brass | Brushed Steel | | A | B | C |
| P3573 | -10 | -13 | 3 (m) 100w | 19-3/8 | 17 | 54 |



Specifications:

General

- Steel construction with Polished Brass (-10) or Brushed Steel (-13) finish
- Satin white glass
- 3 feet of 9 gauge chain
- Companion wall sconce, semi-flush and flush mount ceiling fixture

Electrical

- 15 feet of wire
- Ceramic medium based sockets
- Pre-wired

Labeling

- UL-CUL listed

Mounting

- Chain-hung ceiling
- Covers outlet box
- Mounting strap for outlet box included
- Canopy 5-1/2" dia.

P3569 AND P3573

ECLIPSE - SEMI-FLUSH AND CHAIN HUNG

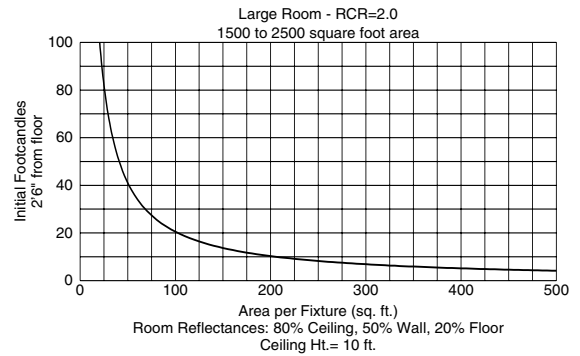
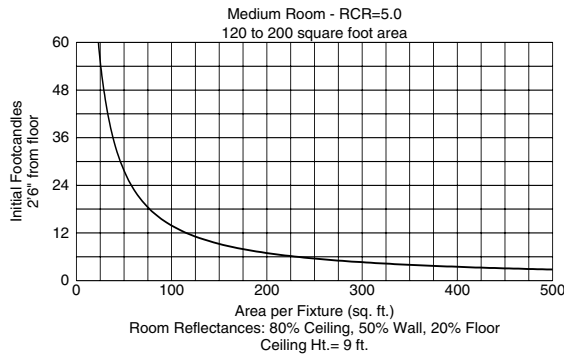
Report No. 97513

No. Lamps: 3 Type Lamp: 100A19 - GE Total Lumens: 5130

Fixture Efficiency: 51.2%

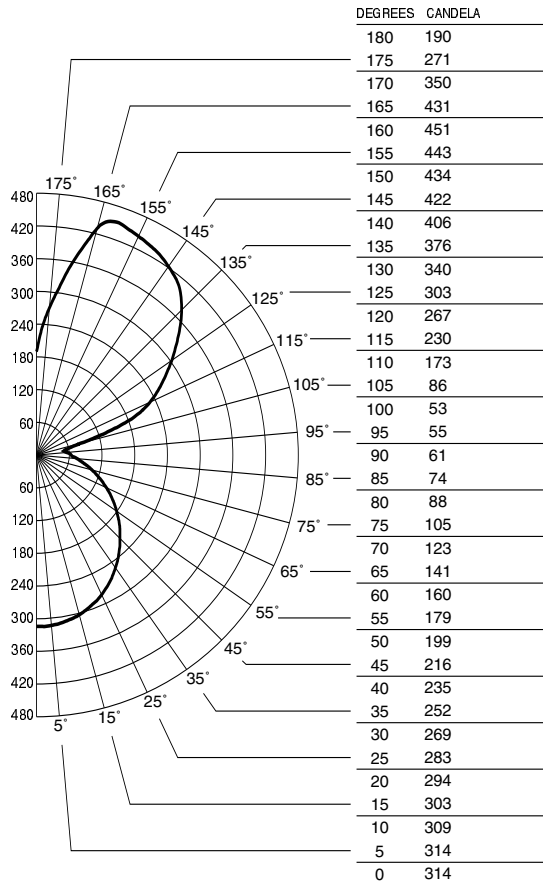
S/MH Ratio: 1.3

Quick Calculator Charts



DISTRIBUTION CURVE

INTENSITY DATA



Single Fixture Data

| Ceiling Ht. (Ft.) | 10% Values | | Zero Degrees | 50% Values | |
|-------------------|-------------------|-----------|--------------|------------------|-----------|
| | Beam Angle - 112' | | | Beam Angle - 65' | |
| | Ft.-C | Beam Dia. | | Ft.-C | Beam Dia. |
| 8 | 1.0 | 16 | 10.4 | 5.2 | 7 |
| 10 | 0.6 | 22 | 5.6 | 2.8 | 10 |
| 12 | 0.3 | 28 | 3.5 | 1.7 | 12 |
| 14 | 0.2 | 34 | 2.4 | 1.2 | 15 |
| 16 | 0.2 | 40 | 1.7 | 0.9 | 17 |

Ft.-C (Footcandles) are initial and measured 2'-6" from floor

ZONAL COEFFICIENTS OF UTILIZATION

| RC | Effective Floor Cavity Reflectance 0.20 | | | | | | | | | | | | | | | | | | | | | | | |
|----|---|----|----|----|----|----|----|----|----|----|----|----|----|----|----|----|----|----|----|----|----|----|----|---|
| | 80 | | | | 70 | | | | 50 | | | | 30 | | | | 10 | | | | 0 | | | |
| | 70 | 50 | 30 | 10 | 70 | 50 | 30 | 10 | 50 | 30 | 10 | 50 | 30 | 10 | 50 | 30 | 10 | 50 | 30 | 10 | 50 | 30 | 10 | 0 |
| 0 | 54 | 54 | 54 | 54 | 49 | 49 | 49 | 49 | 40 | 40 | 40 | 32 | 32 | 32 | 24 | 24 | 24 | 21 | | | | | | |
| 1 | 48 | 46 | 44 | 42 | 44 | 42 | 40 | 38 | 34 | 33 | 31 | 27 | 26 | 25 | 20 | 20 | 19 | 16 | | | | | | |
| 2 | 44 | 40 | 36 | 34 | 40 | 36 | 33 | 31 | 29 | 27 | 26 | 23 | 22 | 20 | 18 | 17 | 16 | 13 | | | | | | |
| 3 | 40 | 35 | 31 | 28 | 36 | 32 | 28 | 25 | 26 | 23 | 21 | 20 | 19 | 17 | 15 | 14 | 13 | 11 | | | | | | |
| 4 | 36 | 31 | 26 | 23 | 33 | 28 | 24 | 21 | 23 | 20 | 18 | 18 | 16 | 14 | 14 | 12 | 11 | 9 | | | | | | |
| 5 | 33 | 27 | 23 | 20 | 30 | 25 | 21 | 18 | 20 | 17 | 15 | 16 | 14 | 12 | 12 | 11 | 10 | 8 | | | | | | |
| 6 | 31 | 24 | 20 | 17 | 28 | 22 | 18 | 16 | 18 | 15 | 13 | 15 | 12 | 11 | 11 | 10 | 8 | 7 | | | | | | |
| 7 | 28 | 22 | 18 | 15 | 26 | 20 | 16 | 14 | 16 | 14 | 12 | 13 | 11 | 9 | 10 | 9 | 7 | 6 | | | | | | |
| 8 | 26 | 20 | 16 | 13 | 24 | 18 | 15 | 12 | 15 | 12 | 10 | 12 | 10 | 8 | 9 | 8 | 7 | 5 | | | | | | |
| 9 | 24 | 18 | 14 | 11 | 22 | 16 | 13 | 11 | 14 | 11 | 9 | 11 | 9 | 7 | 8 | 7 | 6 | 5 | | | | | | |
| 10 | 23 | 16 | 13 | 10 | 21 | 15 | 12 | 10 | 13 | 10 | 8 | 10 | 8 | 7 | 8 | 6 | 5 | 4 | | | | | | |