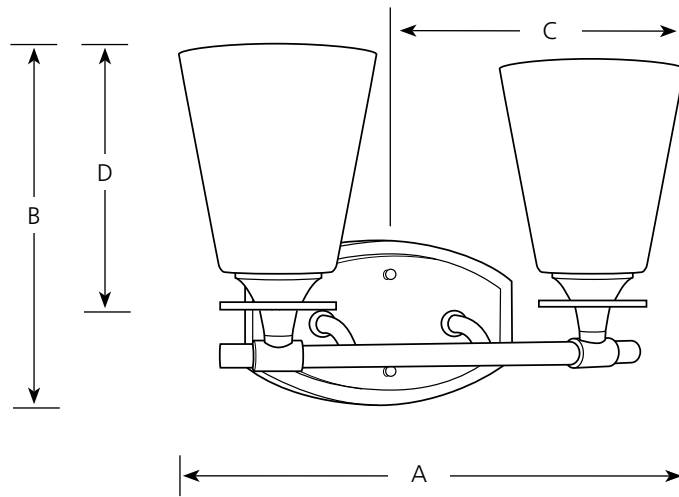


Type \_\_\_\_\_

-77

P3222

Finish			Dimensions (Inches)			
Catalog No.	Forged Bronze	Lamping	A	B	C	D
P3222	-77	2 (m) 100w	13	9-1/4	7-1/4	6-3/4



**Specifications:**

General

- Seeded topaz glass shade, 4-1/2" dia. x 5-1/2" T, 1-3/4" center hole
- Flat bobeches
- Hand painted Forged Bronze (-77) finish
- Can be mounted in the "up" or "down" position
- Steel construction
- Companion chandelier, hall and foyer, wall bracket, close to ceiling, pendant, and bath and vanity units

Mounting

- Wall mounted
- Backplate dimensions: 8" W x 4-3/4" T x 1" deep
- Canopy covers a standard 4" hexagonal outlet box
- Mounting strap for outlet box included

Electrical

- Ceramic medium based socket
- Pre-wired

Labeling

- UL-CUL damp location listed