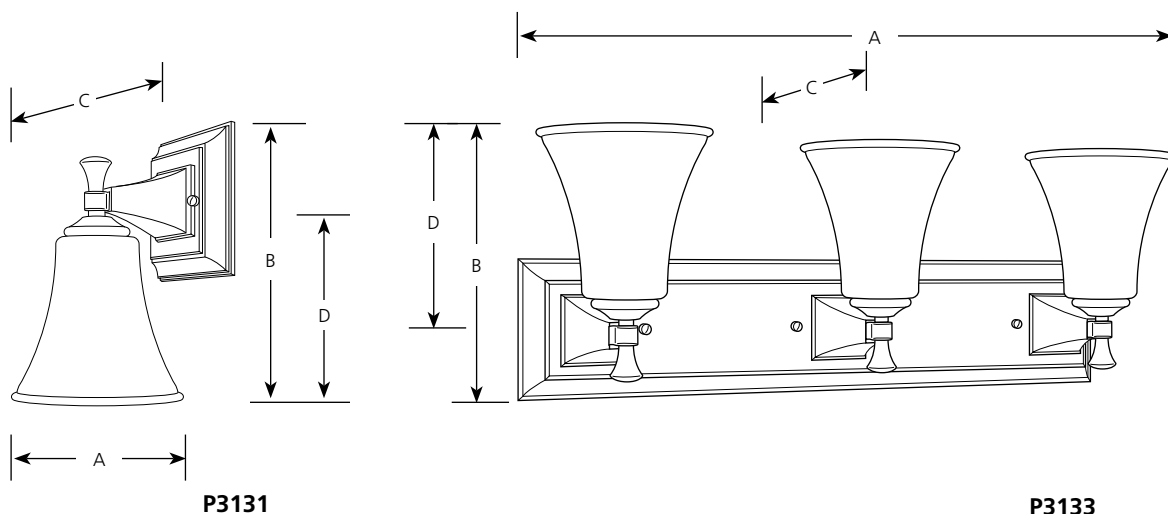


Type	_____		
	-09	-10	-15
P3131	<input type="checkbox"/>	<input type="checkbox"/>	<input type="checkbox"/>
P3132	<input type="checkbox"/>	<input type="checkbox"/>	<input type="checkbox"/>
P3133	<input type="checkbox"/>	<input type="checkbox"/>	<input type="checkbox"/>
P3134	<input type="checkbox"/>	<input type="checkbox"/>	<input type="checkbox"/>

Catalog No.	Finish		Lamping	Dimensions (Inches)			
	Brushed Nickel	Polished Chrome		A	B	C	D
P3131	-09	-15	1 (m) 100w	5-3/4	9-1/8	6-3/4	6-3/4
P3132	-09	-15	2 (m) 100w	15-3/8	9	6-3/4	6-5/8
P3133	-09	-15	3 (m) 100w	24-7/8	9	6-3/4	6-5/8
P3134	-09	-15	4 (m) 100w	34-1/2	9	6-3/4	6-5/8



Specifications:

General

- Conical etched opal glass shades: 5-3/4" dia., 5-5/8" ht., 1-5/8" center hole
- Unique square flaired support arms
- Crisp square cornered back plates
- Plated finishes
- "-10" finish is a polished chrome back plate with polished brass accents
- "-09" and "-15" finishes have all elements in the same finish
- Full width back plates
- P3131- 5" square x 7/8" deep
- P3132- 14-3/4" w x 4-3/4" ht. x 7/8" d.
- P3133- 24-1/8" w x 4-3/4" ht. x 7/8" d.
- P3134- 33-3/4" w x 4-3/4" ht. x 7/8" d.
- Steel construction

Mounting

- Wall mounted
- Can be mounted in up or down position
- Canopy covers a standard 4" octagonal recessed outlet box
- Mounting strap for outlet box included

Electrical

- Pre-wired
- Medium based ceramic sockets
- Threaded socket ring secures glass

Labeling

- UL-CUL damp location listed